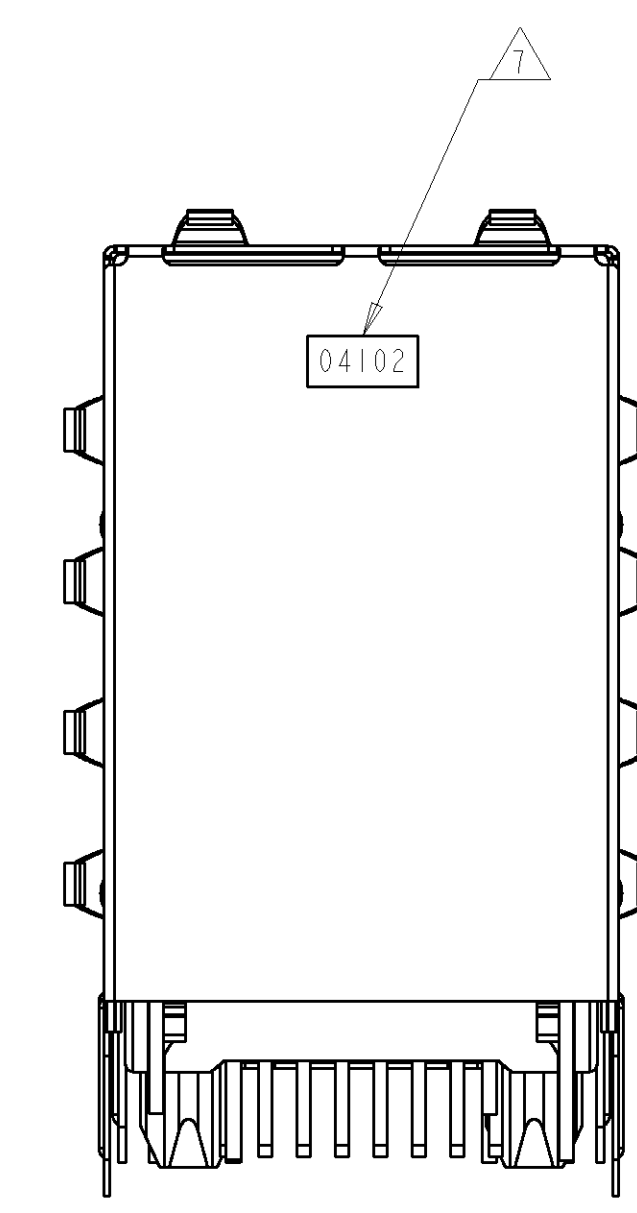
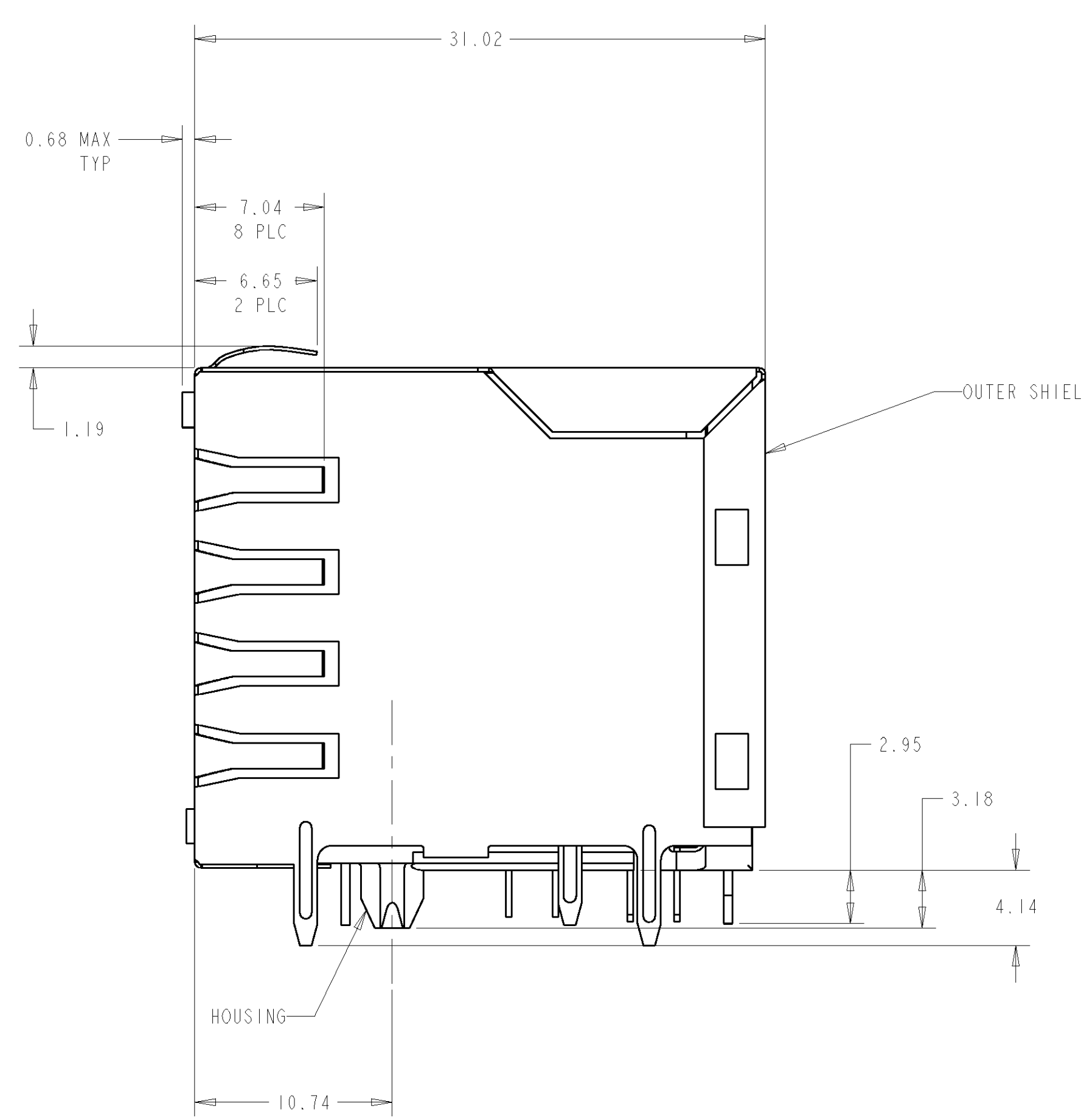
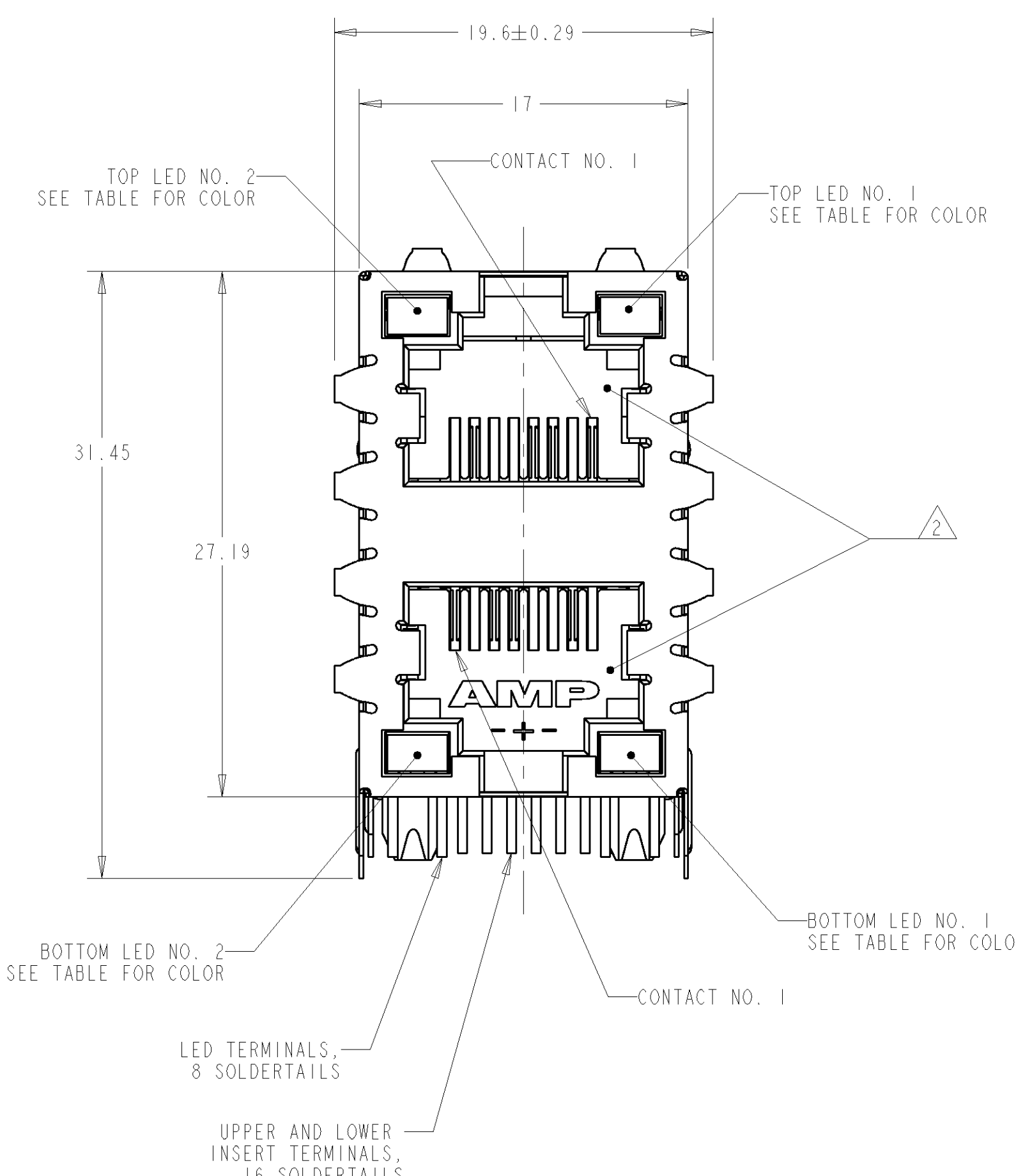
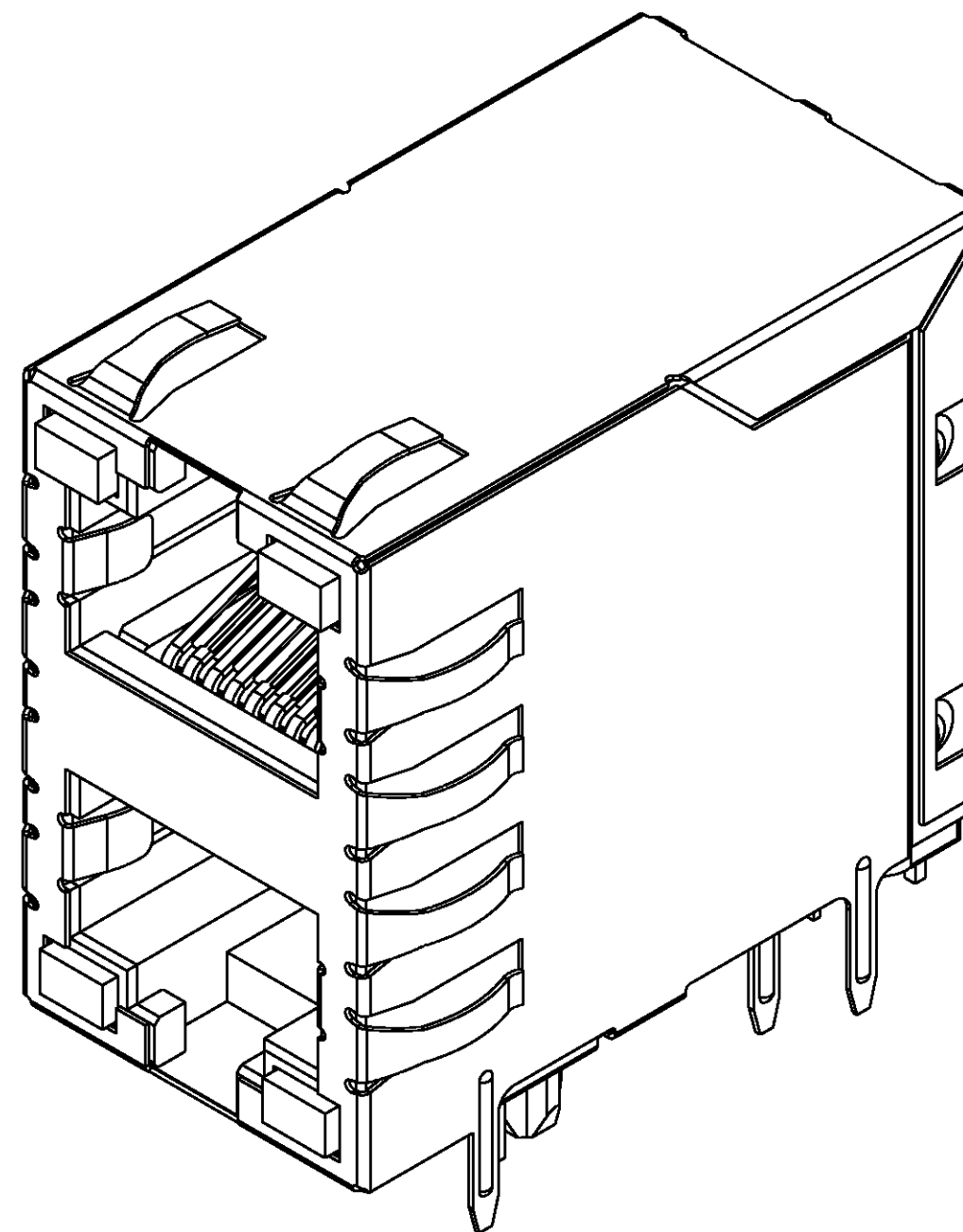
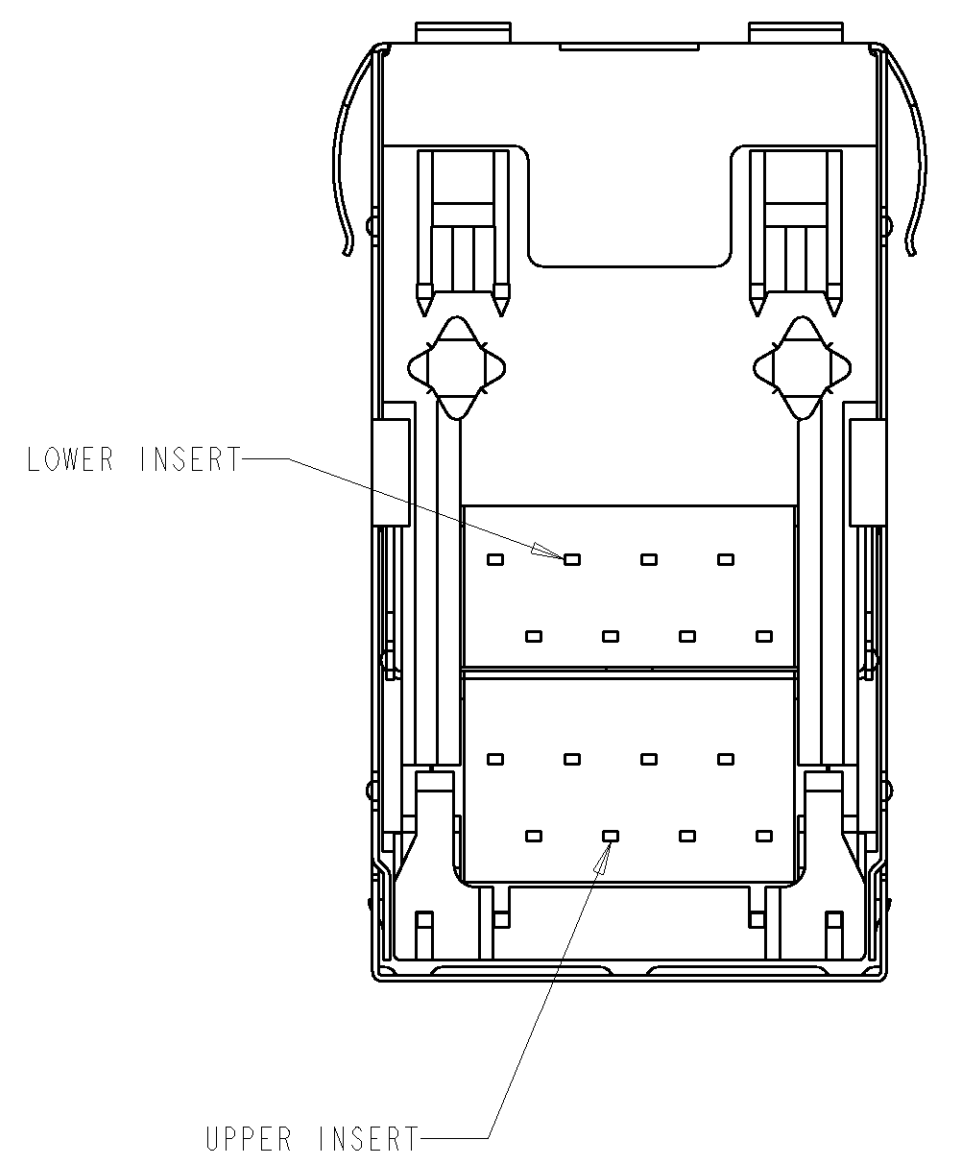


| LOC | DIST | REVISIONS | | | | | |
|-----|------|-----------|-----|-----------------------|-----------|-----|------|
| AA | 22 | P | LTR | DESCRIPTION | DATE | DWN | APVD |
| | | A | | ED0511-0201-04 | 13APR2005 | LAM | SF |
| | | B | | REV PER 0515-0020-05 | 10AUG2005 | RG | JW |
| | | C | | REV PER ECO-05-015498 | 07DEC2005 | RG | MY |
| | | D | | ECO-06-007636 | 04APR2006 | LAM | JW |



- MATERIAL: HOUSING - PBT POLYESTER, BLACK, UL 94V-0.
 TERMINALS - 0.33 THICK PHOSPHOR BRONZE PLATED WITH 1.27um MINIMUM THICK HARD GOLD IN LOCALIZED MATING INTERFACE AND 3.81um MINIMUM THICK MATTE TIN IN SOLDER AREA OVER 1.27um MINIMUM THICK NICKEL UNDERPLATE.
 SHIELD - 0.196 THICK COPPER ALLOY PLATED WITH 2.03um MINIMUM TIN OVER 1.27um MINIMUM NICKEL.
 LIGHT EMITTING DIODE (LED) - DIFFUSED EPOXY LENS, 0.51 X 0.51 CARBON STEEL WIREFRAME LEADS PREPLATED WITH 8.89 um THICK Sn/Cu OVER 2.03 um THICK Ag OVER 1.02 THICK Cu OVER 3.56 um THICK Ni OVER 1.02 um Cu UNDERPLATE.
- JACK CAVITY CONFORMS TO FCC RULES AND REGULATIONS, PART 68 SUBPART F.
- SUGGESTED OPERATING CURRENT FOR THE LED IS 20mA. GREEN/ORANGE BI-COLOR LEDS ON 6368011-4 AND 1-6368011-0 WILL EMIT GREEN LIGHT ON FORWARD BIAS CURRENT AND ORANGE LIGHT ON REVERSE BIAS CURRENT. GREEN/RED BI-COLOR LEDS ON 6368011-9 AND 1-6368011-0 WILL EMIT GREEN LIGHT ON FORWARD BIAS CURRENT AND RED LIGHT ON REVERSE BIAS CURRENT. GREEN/YEL BI-COLOR LEDS ON 1-6368011-1 WILL EMIT GREEN LIGHT ON FORWARD BIAS CURRENT AND YELLOW LIGHT ON REVERSE BIAS CURRENT.
- THIS MODULAR JACK WITH INTEGRATED LED IS NOT IR REFLOW SOLDERING PROCESS COMPATIBLE.
- USE NO. 30 DRILL BIT OR 3.25mm DRILL BIT WHEN PRODUCING THESE PCB HOLES.
- HM-15 LUBE APPLIED TO THE GOLD PLATED AREA OF THE TERMINALS ON 6368011-8 ONLY.
- DATE CODE LOCATED ON REAR OF PART APPROX AS SHOWN: FIRST 2 DIGITS ARE LAST 2 DIGITS OF YEAR, SECOND 2 DIGITS ARE MANUFACTURING WORK WEEK, LAST DIGIT IS DAY OF WEEK, WITH SUNDAY=1.

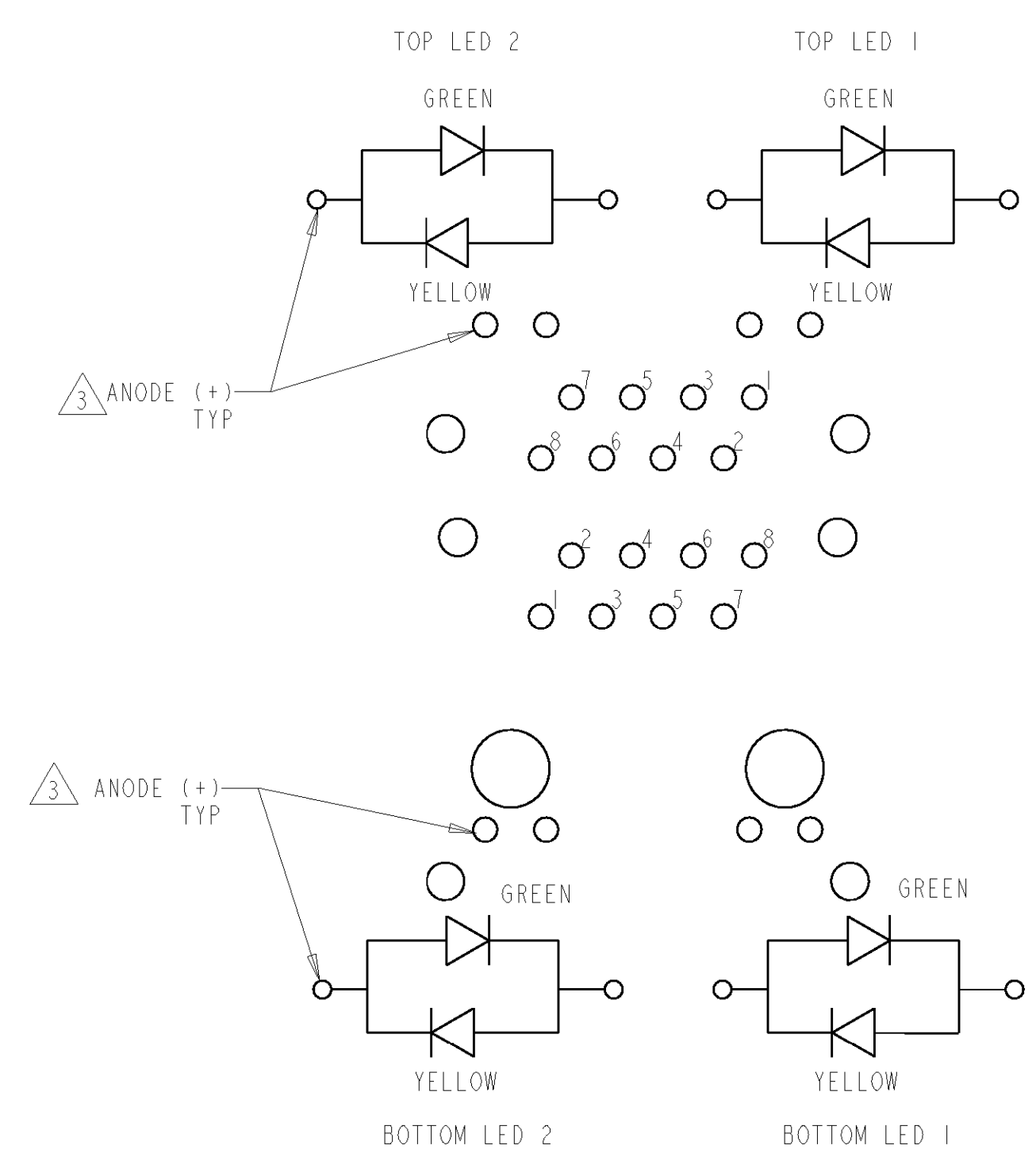


SCALE 4:1

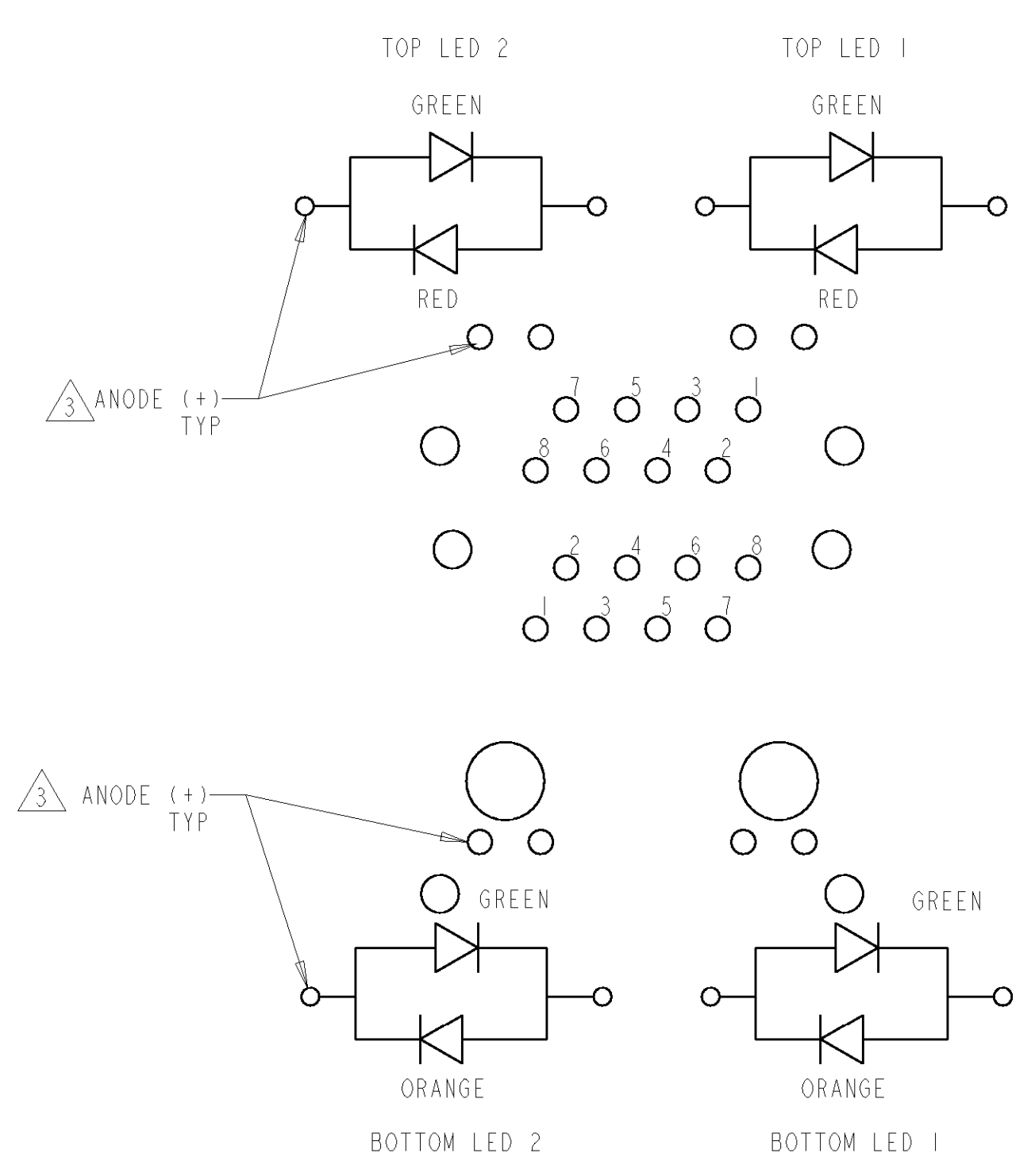
| LED 1 | LED 2 | LED 3 | LED 4 | PART NUMBER |
|--------------|--------------|--------------|--------------|-------------|
| GREEN/YELLOW | GREEN/YELLOW | GREEN/YELLOW | GREEN/YELLOW | 1-6368011-1 |
| GREEN/ORANGE | GREEN/ORANGE | GREEN/RED | GREEN/RED | 1-6368011-0 |
| GREEN/RED | GREEN/RED | GREEN/RED | GREEN/RED | 6368011-9 |
| YELLOW | GREEN | YELLOW | GREEN | 6368011-8 |
| GREEN | ORANGE | N/A | N/A | 6368011-7 |
| GREEN | GREEN | YELLOW | GREEN | 6368011-6 |
| YELLOW | GREEN | YELLOW | GREEN | 6368011-5 |
| GREEN/ORANGE | GREEN/ORANGE | GREEN/ORANGE | GREEN/ORANGE | 6368011-4 |
| GREEN | YELLOW | GREEN | YELLOW | 6368011-3 |
| YELLOW | GREEN | GREEN | YELLOW | 6368011-2 |
| GREEN | GREEN | GREEN | GREEN | 6368011-1 |

| | | | | | | | |
|----------------------|--|---|--|--|--|--|--|
| DIMENSIONS: | | TOLERANCES UNLESS OTHERWISE SPECIFIED: | | DWN: T3APR2005 Vik Slack/A. MAYER CHK: T3APR2005 J. WESTMAN APVD: T3APR2005 S. FLICKINGER | | Tyco Electronics Harrisburg, PA 17105-3608 | |
| mm | | 0 PLC ± 1 PLC ±0.25 2 PLC ± 3 PLC ± 4 PLC ± ANGLES ± | | PRODUCT SPEC: 108-1163-2 APPLICATION SPEC: 114-2154 | | NAME: MODULAR JACK ASSEMBLY, STACKED, 2 X 1, 8 POSITION, SHIELDED, PANEL GROUND, LED, CATEGORY 5 | |
| MATERIAL: SEE NOTE 1 | | FINISH: SEE NOTE 1 | | WEIGHT: - | | SIZE: A1 00779 C=6368011 | |
| CUSTOMER DRAWING | | | | SCALE: 1:1 | | SHEET 1 OF 3 REV D | |

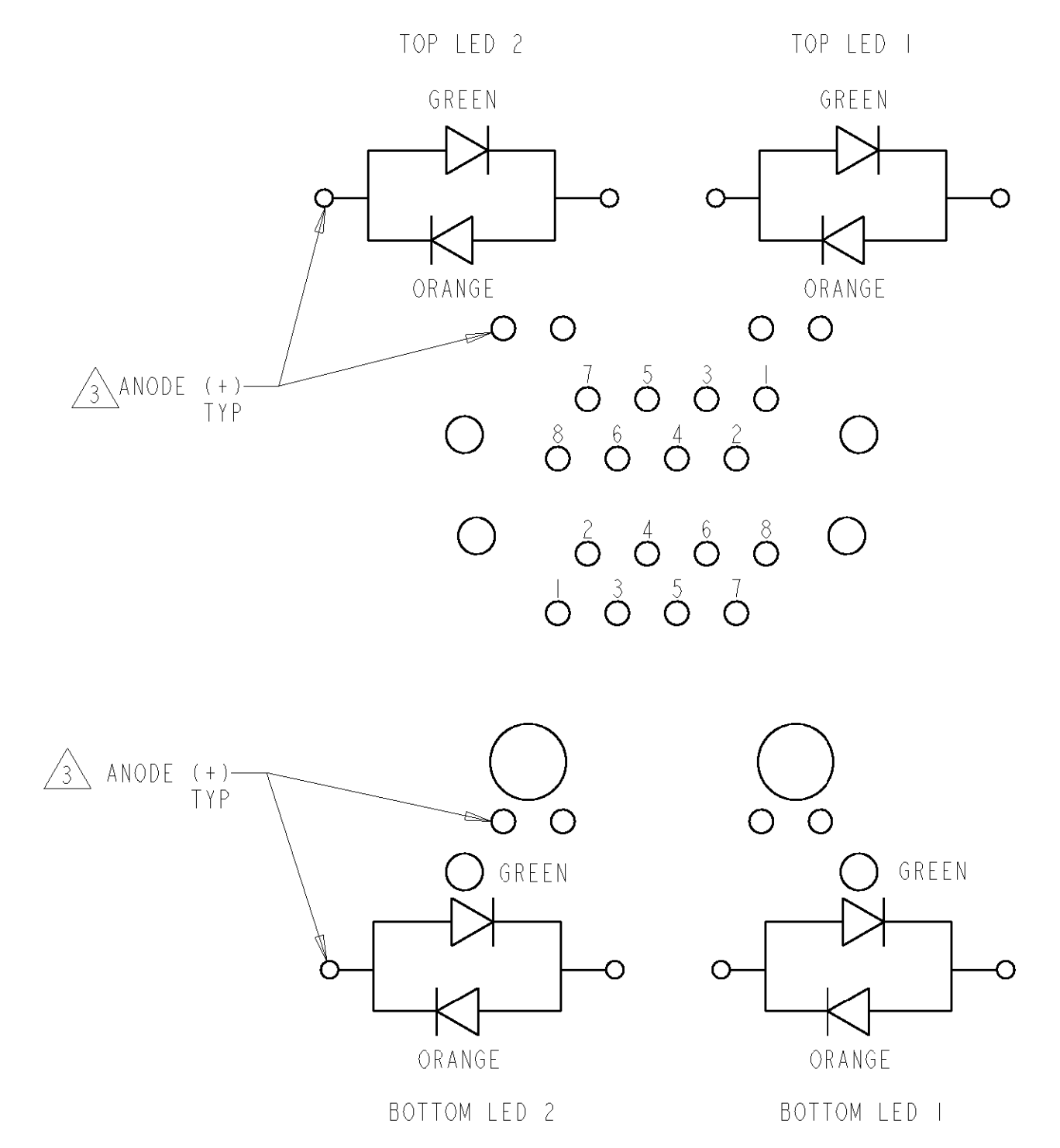
| LOC | DIST | REVISIONS | | | | | |
|-----|------|-----------|-----|-------------|------|-----|------|
| AA | 22 | P | LTR | DESCRIPTION | DATE | DWN | APVD |
| | | - | - | SEE SHEET 1 | - | - | - |



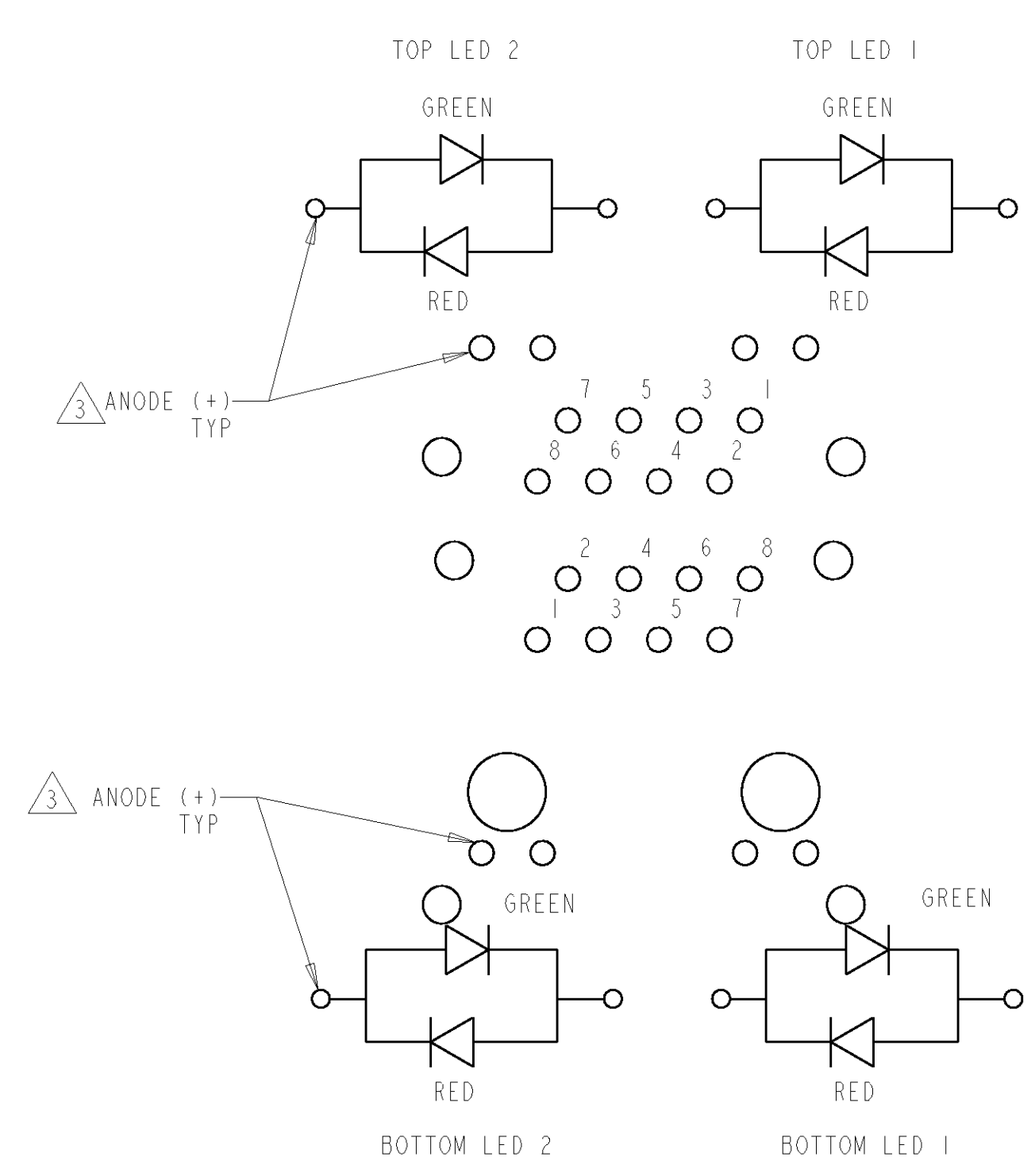
SCHEMATIC FOR 1-6368011-1
SCALE 4:1



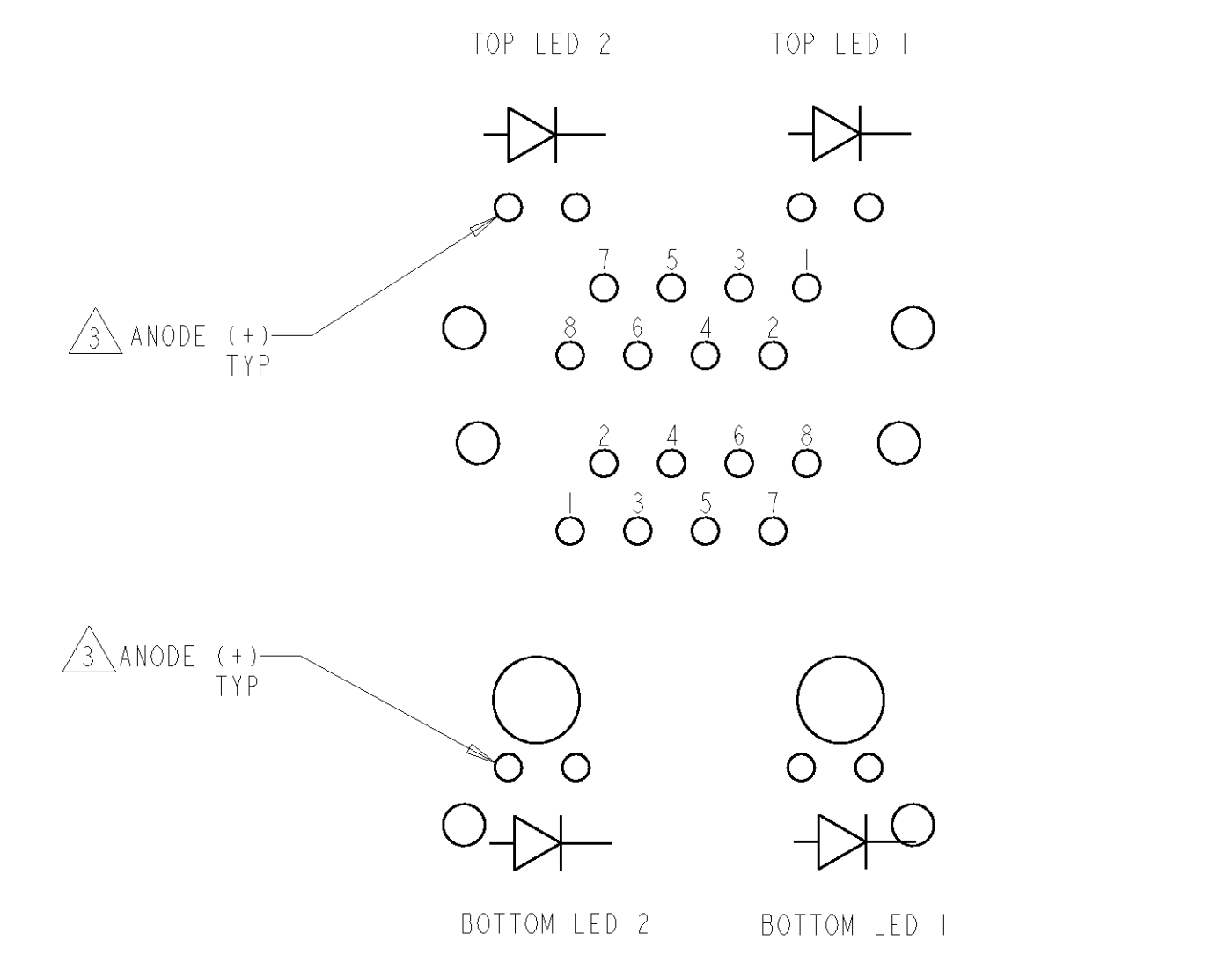
SCHEMATIC FOR 1-6368011-0
SCALE 4:1



SCHEMATIC FOR 6368011-4
SCALE 4:1



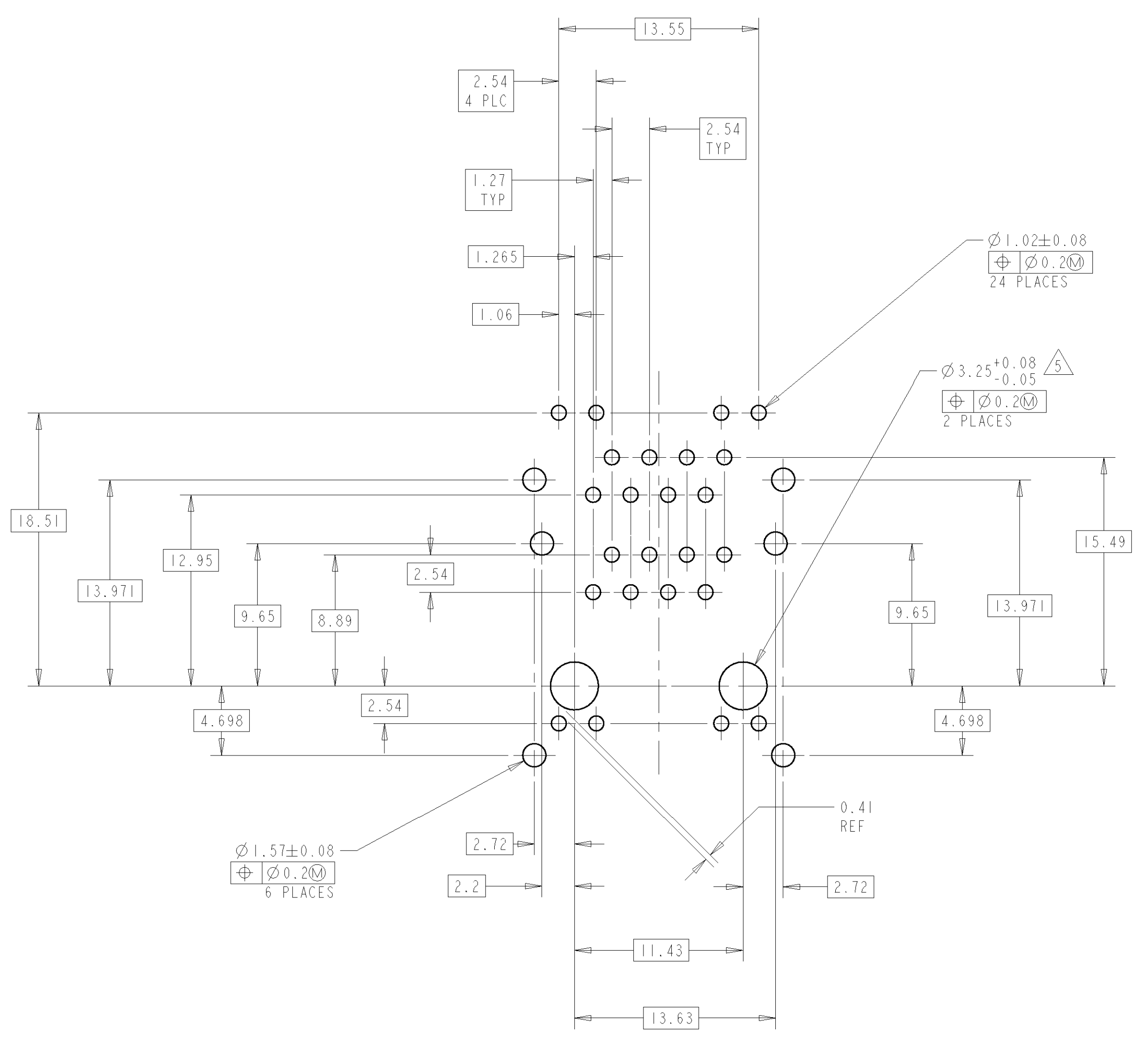
SCHEMATIC FOR 6368011-9
SCALE 4:1



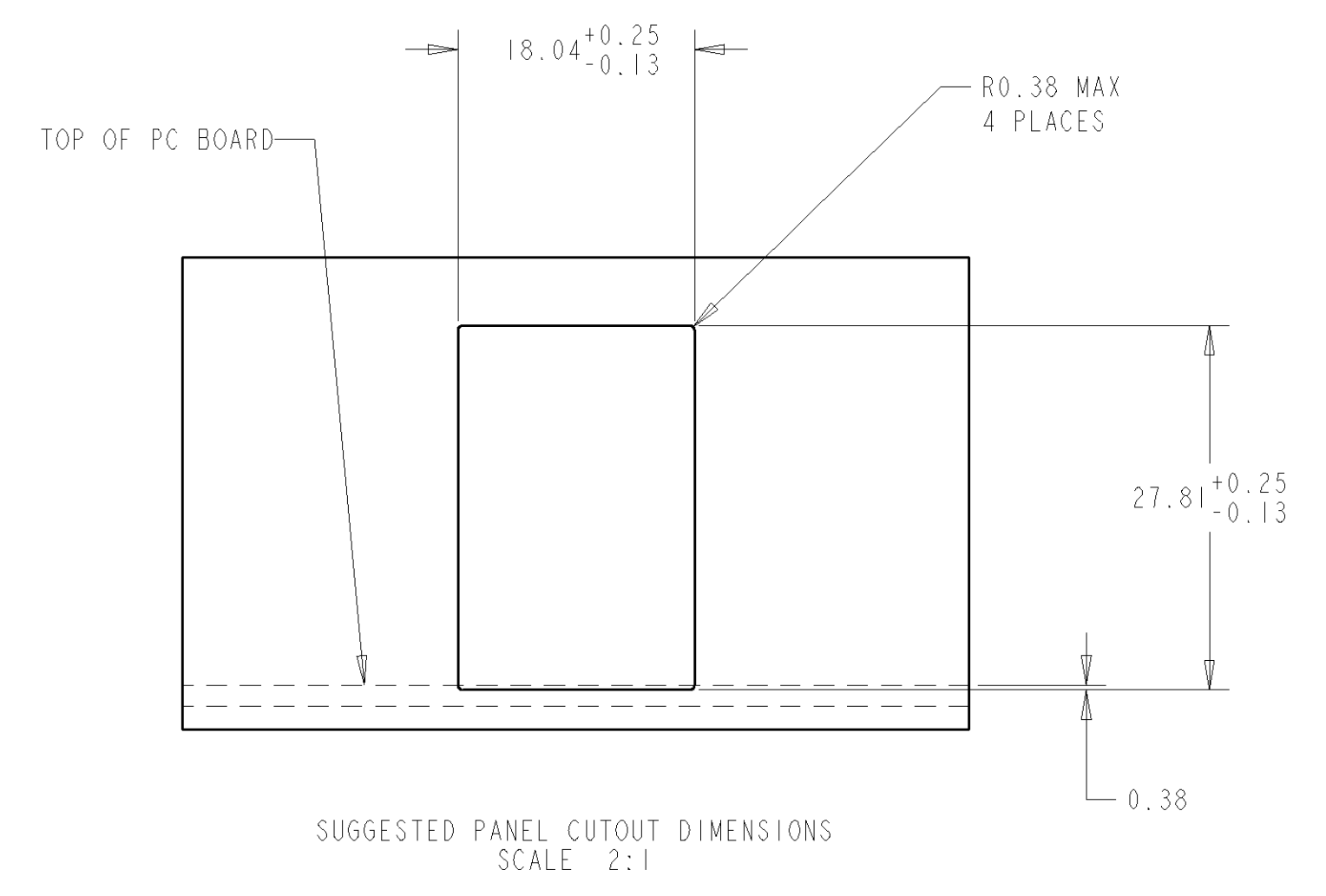
SCHEMATIC FOR 6368011-1, -2, -3, -5, -6, -7 & -8
SCALE 4:1

| | | | | | | | |
|----------------------|--|--|--|----------------------------------|--|--|--|
| DIMENSIONS: | | TOLERANCES UNLESS OTHERWISE SPECIFIED: | | DWN: Vik Slack/A.MAYER 13APR2005 | | tyco Tyco Electronics | |
| mm | | 0 PLC ± | | ENR: J.WESTMAN 13APR2005 | | Harrisburg, PA 17105-3608 | |
| Ø | | 2 PLC ±0.25 | | APVD: S.FLICKINGER 13APR2005 | | NAME: MODULAR JACK ASSEMBLY, STACKED, 2 X 1, 8 POSITION, SHIELDED, PANEL GROUND, LED, CATEGORY 5 | |
| MATERIAL: SEE NOTE 1 | | FINISH: SEE NOTE 1 | | PRODUCT SPEC: 108-1163-2 | | SIZE: 114-2154 | |
| | | | | APPLICATION SPEC: 114-2154 | | CAGE CODE: 00779 | |
| | | | | WEIGHT: - | | DRAWING NO: 6368011 | |
| | | | | CUSTOMER DRAWING | | SCALE: 1:1 SHEET 2 OF 3 REV D | |

| LOC | | DIST | | REVISIONS | | | |
|-----|-----|-------------|------|-----------|------|--|--|
| P | LTR | DESCRIPTION | DATE | DWN | APVD | | |
| - | - | SEE SHEET 1 | - | - | - | | |



PC BOARD LAYOUT VIEWED FROM COMPONENT SIDE OF BOARD
 SCALE 4:1



SUGGESTED PANEL CUTOUT DIMENSIONS
 SCALE 2:1

| | | | |
|--|--|--|---|
| <small>THIS DRAWING IS UNPUBLISHED. RELEASED FOR PUBLICATION. ALL RIGHTS RESERVED. THIS DRAWING IS THE PROPERTY OF TYCO ELECTRONICS CORPORATION. IT IS TO BE USED ONLY FOR THE PURPOSES AND ORGANIZATION SPECIFIED BY THE CUSTOMER. NO PARTS OF THIS DRAWING ARE TO BE REPRODUCED OR TRANSMITTED IN ANY FORM OR BY ANY MEANS, ELECTRONIC OR MECHANICAL, INCLUDING PHOTOCOPYING, RECORDING, OR BY ANY INFORMATION STORAGE AND RETRIEVAL SYSTEM, WITHOUT THE WRITTEN PERMISSION OF TYCO ELECTRONICS CORPORATION.</small> | | DWN: 13APR2005 CHK: VIK SLICKINGER J. WESTMAN S. FLICKINGER 13APR2005 | tyco Electronics Tyco Electronics Harrisburg, PA 17105-3608 |
| DIMENSIONS: mm | TOLERANCES UNLESS OTHERWISE SPECIFIED: 0 PLC ± 1 PLC ± 2 PLC ±0.25 3 PLC ± 4 PLC ± ANGLES ± FINISH SEE NOTE 1 | NAME: MODULAR JACK ASSEMBLY, STACKED, 2 X 1, 8 POSITION, SHIELDED, PANEL GROUND, LED, CATEGORY 5 PRODUCT SPEC: 108-1163-2 APPLICATION SPEC: SIZE: 114-2154 WEIGHT: - CUSTOMER DRAWING | RESTRICTED TO: SCALE: 1:1 SHEET: 3 OF 3 REV: D |