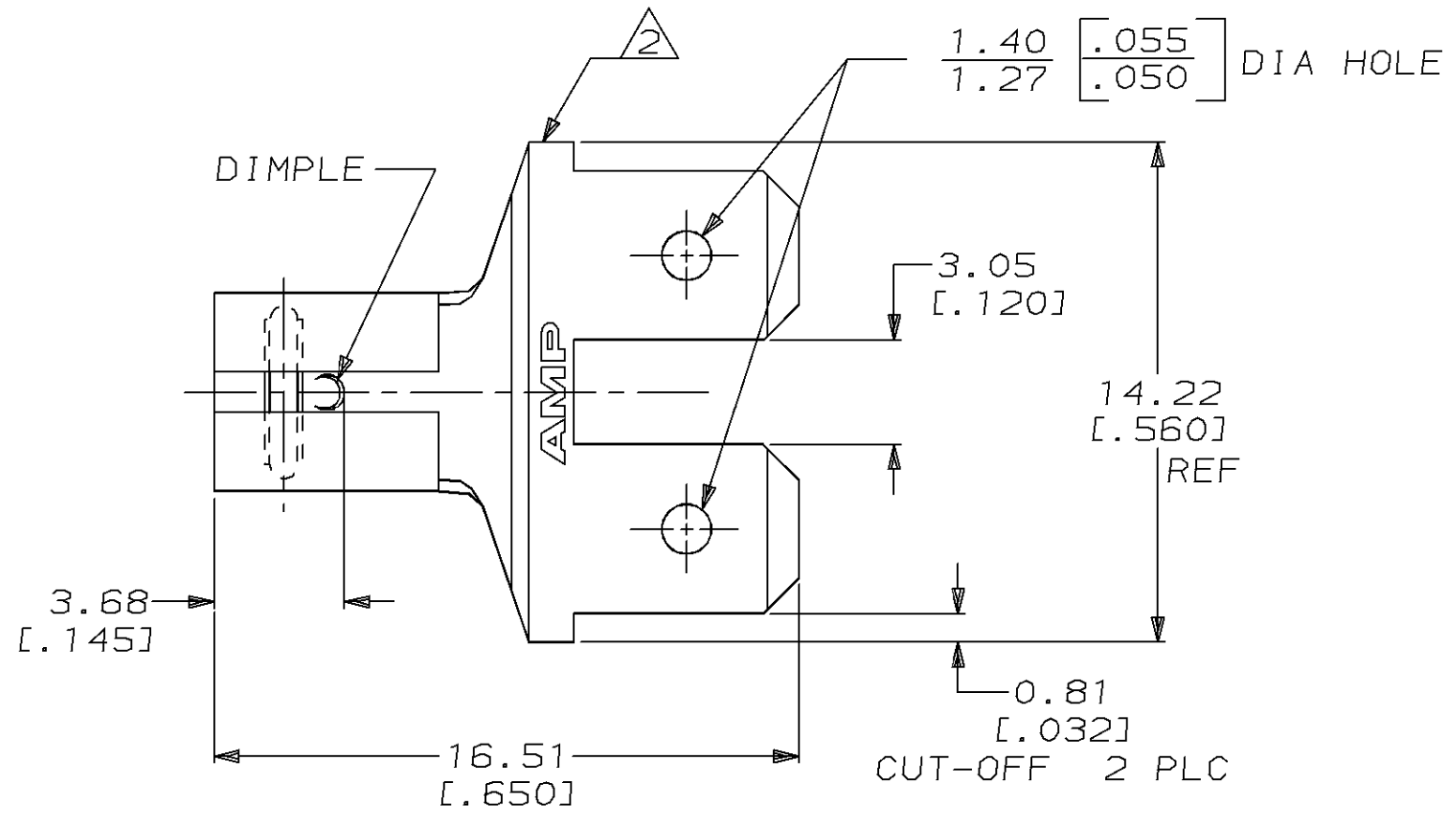
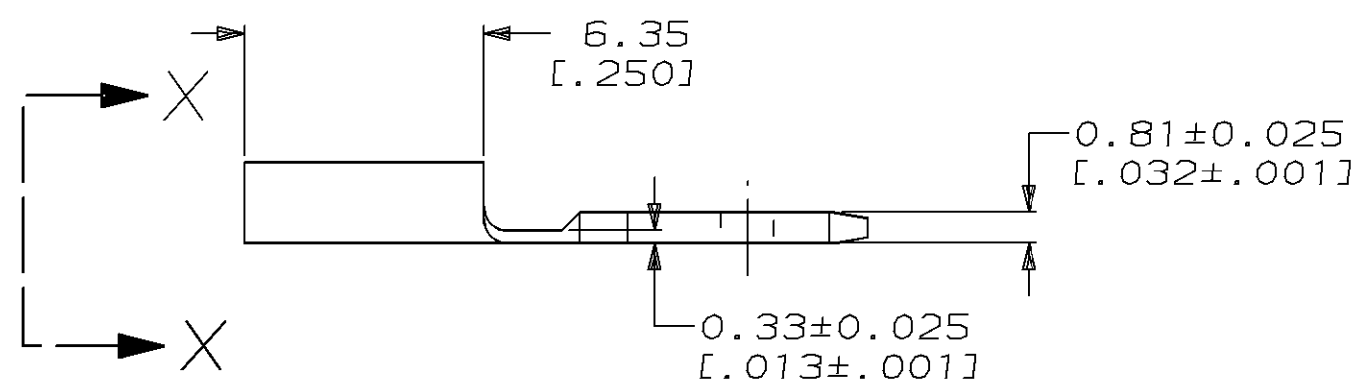
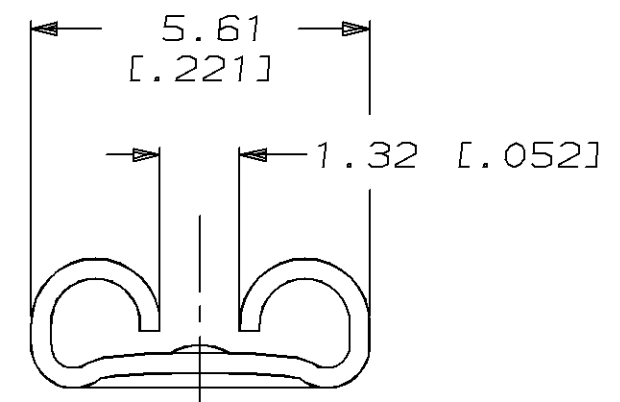


THIS DRAWING IS UNPUBLISHED. RELEASED FOR PUBLICATION, 19 .
 © COPYRIGHT 19 BY AMP INCORPORATED. ALL INTERNATIONAL RIGHTS RESERVED.

LOC	DIST	P	F	REVISIONS				
AF	50			ZONE	LTR	DESCRIPTION	DATE	APPD
					B	REV PER 0L10-0060-96	11/27/96	JR



1 SUPPLIED IN LOOSE PIECE.
 2 BARE EDGES PERMITTED.



THIS DRAWING IS A CONTROLLED DOCUMENT FOR AMP INCORPORATED. IT IS SUBJECT TO CHANGE AND THE CONTROLLING ENGINEERING ORGANIZATION SHOULD BE CONTACTED FOR THE LATEST REVISION.

DO NOT SCALE PRINT. UNLESS SPECIFIED DIMENSIONS IN mm [INCHES]	DR 3/9/93 JR RUTH
TOLERANCES ON: 2 PLC DEC ± 0.25 [.010] 3 PLC DEC ± - ANGLES ± -	CHK 3/9/93 MS FEHER
MATERIAL H04 BRASS	APPD 3/9/93 P DESANTIS
FINISH TIN 0.002032 [.000080] MIN	APPD 3/9/93 R REINER
	PRODUCT SPEC -
	APPLICATION SPEC -
	WEIGHT -

0.81 [.032]	63699-1
MATING TAB THK ±0.025 [.001]	PART NO
AMP AMP Incorporated Harrisburg, PA 17105-3608	
NAME ADAPTER, FASTON, 4.75 [.187] SERIES	
SIZE B	CAGE CODE 00779
SCALE 5:1	DRAWING NO C-63699
	SHEET 1 OF 1