

Distributed by:

JAMECO[®]
ELECTRONICS

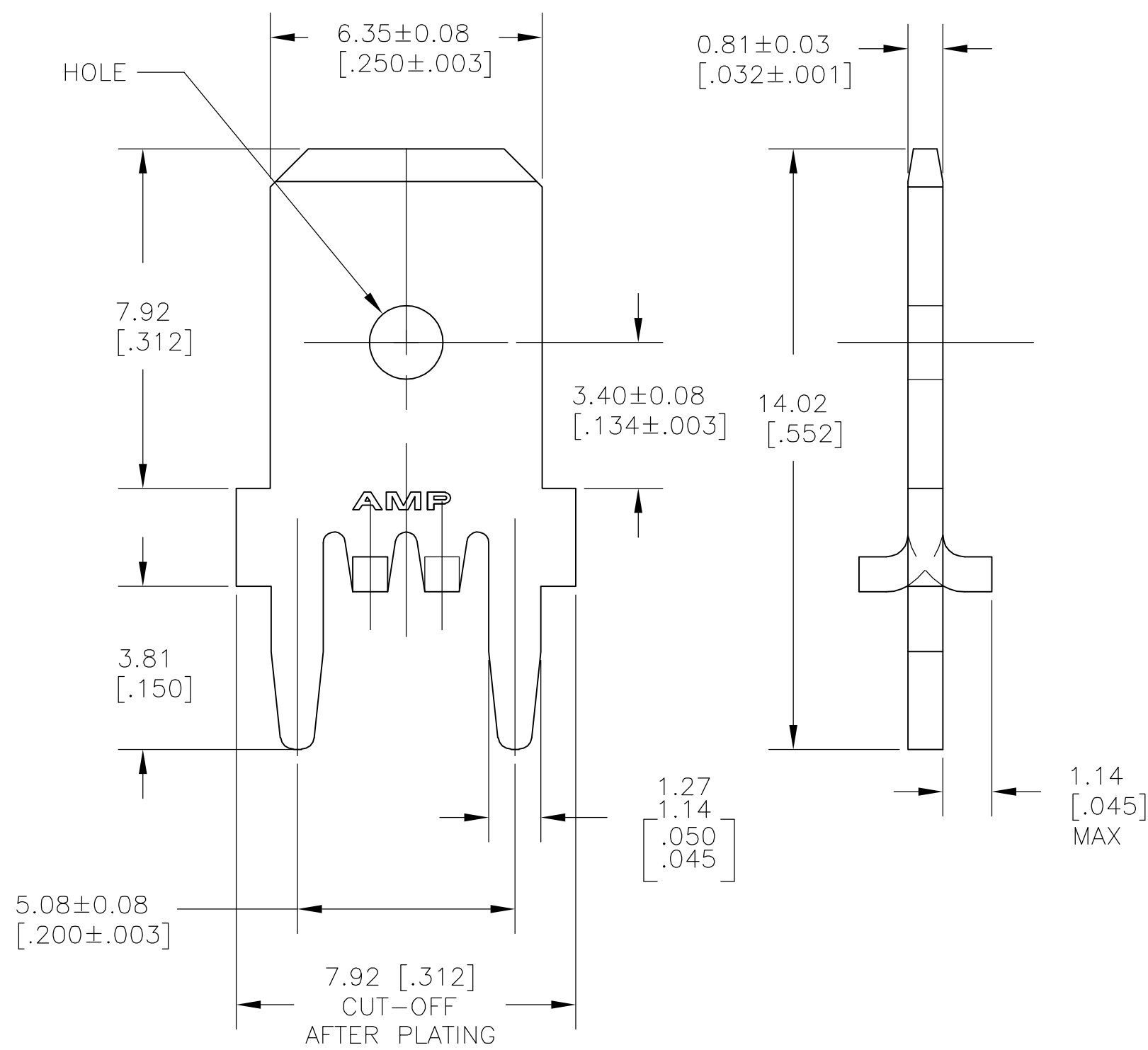
www.Jameco.com ♦ 1-800-831-4242

The content and copyrights of the attached
material are the property of its owner.

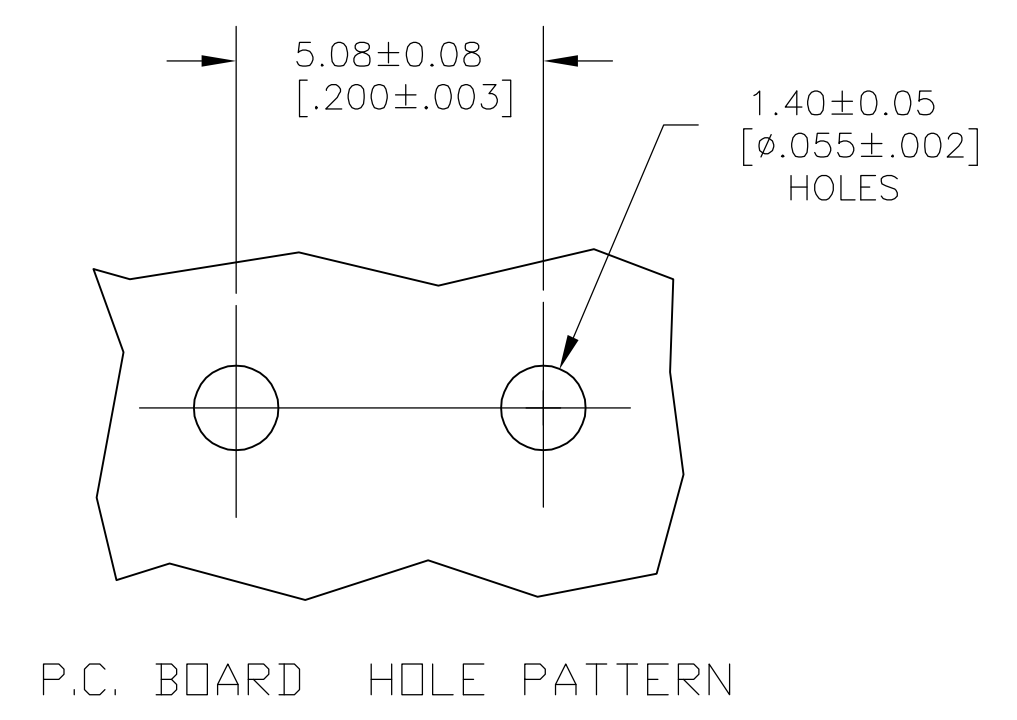
Jameco Part Number 853943

THIS DRAWING IS UNPUBLISHED. RELEASED FOR PUBLICATION
 © COPYRIGHT BY TYCO ELECTRONICS CORPORATION. ALL RIGHTS RESERVED.

| LOC | DIST | REVISIONS | | | |
|-----|------|-------------|-----------------------|---------|-------|
| P | LTR | DESCRIPTION | DATE | DWN | APVD |
| AF | 50 | | | | |
| | | D1 | REV PER ECR 06-010808 | 23MAY06 | JR KR |



- 1 SUPPLIED IN LOOSE PIECE
- 2 TIN PLATE 0.00381 [.000150] MIN
 OVER 0.00254 [.000100] MIN THK COPPER
 OR
 TIN PLATE 0.00381 [.000150] MIN
 OVER 0.00127 [.000050] MIN NICKEL PL.



| | |
|----------------|----------|
| 63824-1 | 63849-1 |
| STRIP PART NO. | PART NO. |

| | | | | | | | |
|---|--|------------------|------------------|---------|---|---------------|---------|
| THIS DRAWING IS A CONTROLLED DOCUMENT. | | DWN | JR RUTH | 20FEB01 | Tyco Electronics Corporation Harrisburg, PA 17105-3608 | | |
| DIMENSIONS: mm [INCHES] | | CHK | MS FEHER | 20FEB01 | | | |
| TOLERANCES UNLESS OTHERWISE SPECIFIED: | | APVD | N DEIBERT | 20FEB01 | TAB, FASTON, P.C.BOARD | | |
| 0 PLC ± - 1 PLC ± - 2 PLC ± 0.25 [.010] 3 PLC ± - 4 PLC ± - ANGLES ± - | | PRODUCT SPEC | - | | | 6.35 [.250] | |
| MATERIAL | | APPLICATION SPEC | 114-2115 | | | SIZE | A3 |
| 082 BRASS | | FINISH | - | | | CAGE CODE | 00779 |
| | | | CUSTOMER DRAWING | | | DRAWING NO | C-63849 |
| | | | | | | RESTRICTED TO | - |
| | | | | | | SCALE | 8:1 |
| | | | | | | SHEET | 1 OF 1 |
| | | | | | | REV | D1 |