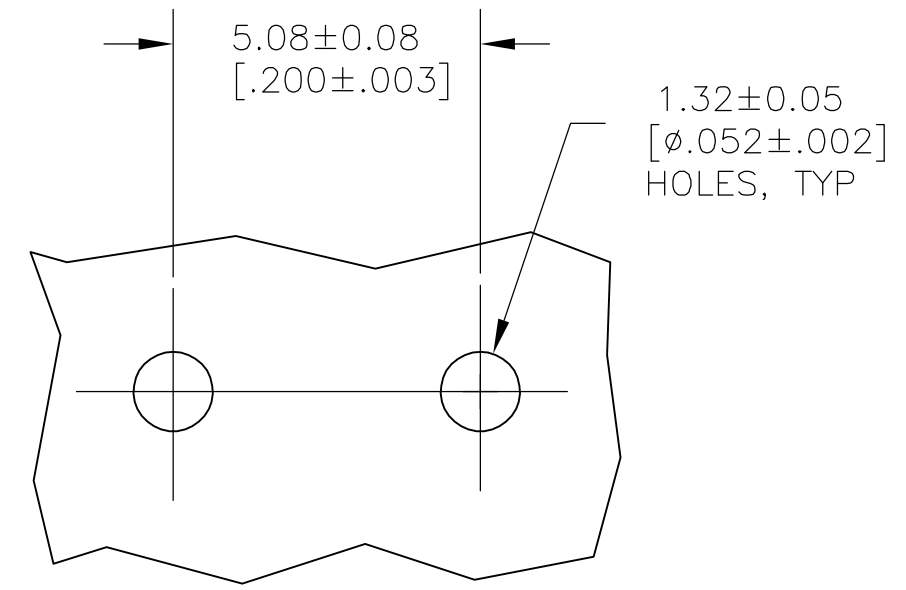
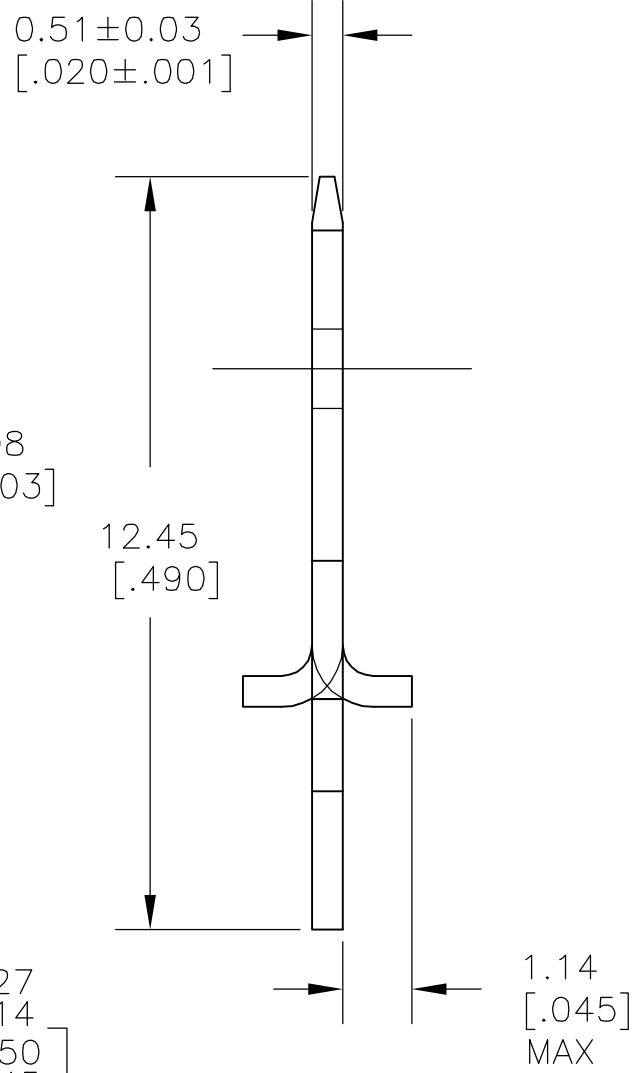
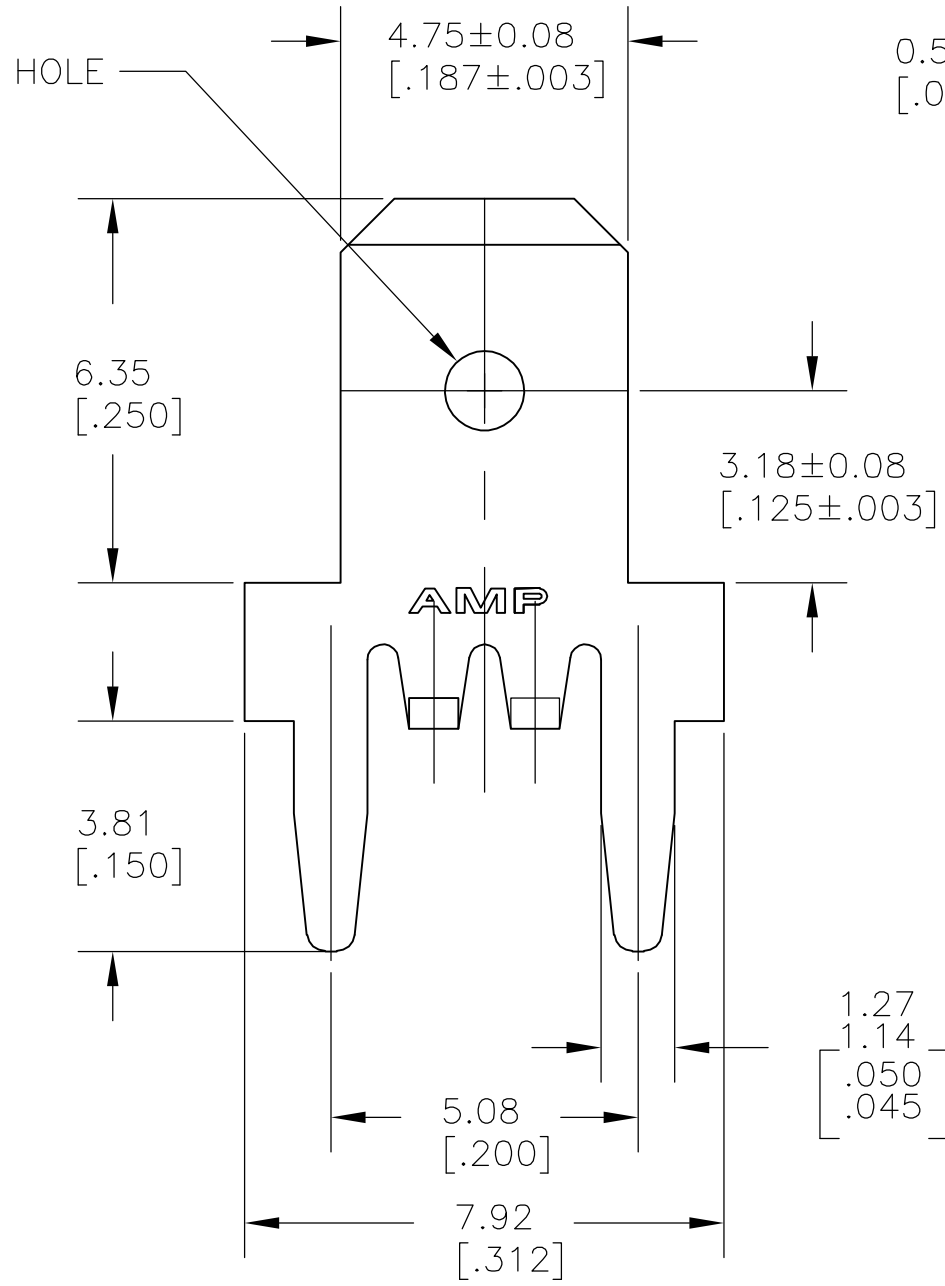


THIS DRAWING IS UNPUBLISHED. RELEASED FOR PUBLICATION  
 © COPYRIGHT BY TYCO ELECTRONICS CORPORATION. ALL RIGHTS RESERVED.

LOC	DIST	REVISIONS					
AF	50	P	LTR	DESCRIPTION	DATE	DWN	APVD
			C1	REV PER ECR 06-010808	23MAY06	JR	KR

- 1 SUPPLIED IN LOOSE PIECE
- 2 TIN PLATE 0.00381 [0.000150] MIN  
 OVER 0.00254 [0.000100] MIN THK COPPER  
 OR  
 TIN PLATE 0.00381 [0.000150] MIN  
 OVER 0.00127 [0.000050] MIN NICKEL.



P.C. BOARD HOLE PATTERN

63823-1	63982-1
STRIP P/N	PART NO.

THIS DRAWING IS A CONTROLLED DOCUMENT.		DWN	JR RUTH	13FEB01	Tyco Electronics Corporation Harrisburg, PA 17105-3608		
DIMENSIONS: mm [INCHES]		CHK	MS FEHER	13FEB01			
TOLERANCES UNLESS OTHERWISE SPECIFIED:		APVD	N DEIBERT	13FEB01	TAB, FASTON, P.C.BOARD		
0 PLC ± - 1 PLC ± - 2 PLC ± 0.25 [.010] 3 PLC ± - 4 PLC ± - ANGLES ± -		PRODUCT SPEC	-			4.75 [.187]	
MATERIAL		APPLICATION SPEC	114-2115			SIZE	A3
082 BRASS		FINISH	-			CAGE CODE	00779
			CUSTOMER DRAWING			DRAWING NO	C-63982
						RESTRICTED TO	-
						SCALE	8:1
						SHEET	1 OF 1
						REV	C1