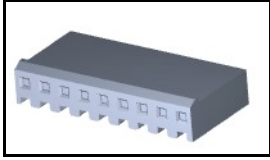


640250-9 Product Details

[Share](#) [Print](#) [Email](#)



640250-9

TE Internal Number: 640250-9

 Active

[View 3D PDF](#)

MTA, CST-100 II, MT-6 and SL Connectors and Headers

 Always EU RoHS/ELV Compliant
(Statement of Compliance)

Product Highlights:

- SL-156 Product Line
- SL Series Series
- Wire-to-Board
- Applies To Wire/Cable
- Connector

[View all Features](#)

Quick Links

- ▶ [Pricing & Availability](#)
- ▶ [Search for Tooling](#)
- ▶ [View Mating Products \(43\)](#)
- ▶ [Product Feature Selector](#)
- ▶ [Contact Us About This Product](#)

[Add to My Part List](#)

[Request Sample](#)

[Find Similar Products](#)

[Buy Product](#)

Documentation & Additional Information

Product Drawings:

- [HOUSING WITH LOCKING RAMP, SL-156](#) (PDF, English)

Catalog Pages/Data Sheets:

- [MTA, CST-100 II, SL-156 and AMP Economy Power \(EP\) C...](#) (PDF, English)

Product Specifications:

- [SL 156 Connectors](#) (PDF, English)
- [Hooded SL 156 Connectors, Gold](#) (PDF, English)
- [Hooded SL 156 Connectors, Tin](#) (PDF, English)

Application Specifications:

- [SL 156 Contacts and Housings](#) (PDF, English)

Instruction Sheets:

- None Available

CAD Files: (CAD Format & Compression Information)

- [2D Drawing](#) (DXF, Version AR)
- [3D Model](#) (IGES, Version AR)
- [3D Model](#) (STEP, Version AR)

[List all Documents](#)

Additional Information:

- [Product Information](#)
- [Product Line Information](#)

Additional Product Images:

- [Product Photo](#)

Related Products:

- [Tooling](#)
- [Mating Products \(43\)](#)

Product Features (Please use the Product Drawing for all design activity)

Product Type Features:

- Product Line = SL-156
- Series = SL Series
- Product Type = Connector
- Connector Type = Housing
- PCB Mount Retention = Without
- PCB Mount Alignment = Without
- Strain Relief = Without
- Sealed = No
- UL File Number = E28476
- CSA File Number = LR7189

Mechanical Attachment:

- Contact Retention = Without

Configuration Features:

- [Number of Positions](#) = 9
- [Post Number\(s\) Omitted](#) = None
- [Backwall/Post Interruption\(s\)](#) = Without
- [Number of Rows](#) = 1

Industry Standards:

- [RoHS/ELV Compliance](#) = RoHS compliant, ELV compliant
- [Lead Free Solder Processes](#) = Not relevant for lead free process
- [RoHS/ELV Compliance History](#) = Always was RoHS compliant
- [Agency/Standard](#) = UL, CSA
- [UL Rating](#) = Listed

- Mating Retention Type = Locking Ramp
- [Panel Mount Retention](#) = Without

Electrical Characteristics:

- Operating Voltage Reference = AC
- Operating Voltage (VAC) = 250

Body Features:

- Mating Retention = With
- Assembly Integration Feature = Without

Contact Features:

- Contact Type = Socket
- Contact Layout = In-Line
- Multiple Contact Types = Without

Housing Features:

- Connector Style = Receptacle
- Centerline (mm [in]) = 3.96 [0.156]
- Housing Style = Standard
- Housing Material = Nylon
- Housing Color = Natural
- [Mating Alignment](#) = Without
- UL Flammability Rating = UL 94V-0

- CSA Rating = Certified

Environmental:

- Operating Temperature (°C [°F]) = -55 - +105 [-67 - +221]

Conditions for Usage:

- [Applies To](#) = Wire/Cable
- For Use With = SL .156 Contacts

Operation/Application:

- Application Use = Wire-to-Board

Packaging Features:

- Packaging Method = Package
- Packaging Quantity = 1

Other:

- Brand = AMP
- Comment = Unit Accepts 1.14[.045] Square or Round Post, Accepts Keying Plug 640254-1and 640255-1

Corporate Information

- [About TE](#)
- [Investors](#)
- [News Room](#)
- [Supplier Portal](#)
- [Careers](#)
- [Terms & Conditions](#)
- [Privacy Policy](#)

Quick Links

- [Distributor Inventory](#)
- [Product Cross Reference](#)
- [Documents & Drawings](#)
- [Product Compliance Support Center](#)
- [Site Map](#)

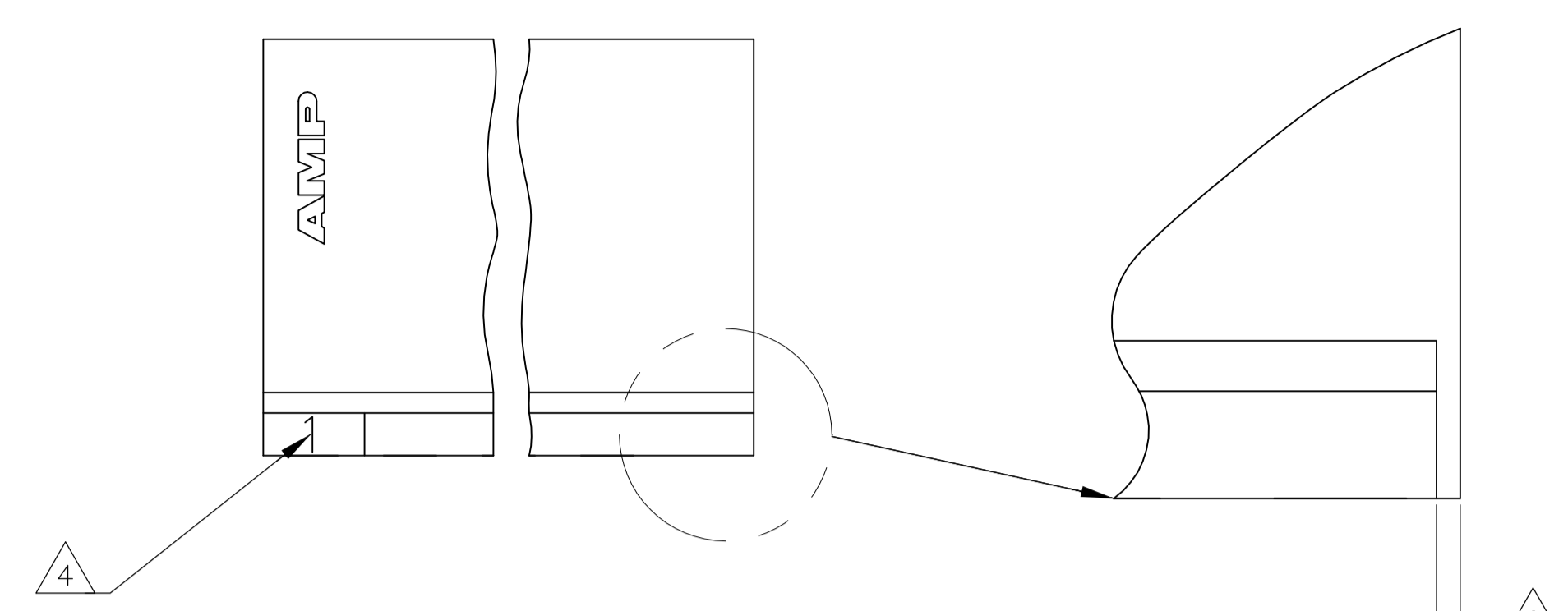
Customer Support

- [Email or Chat With Us](#)
- [Find a Phone Number](#)
- [Knowledge Base](#)
- [Manage Your Account](#)

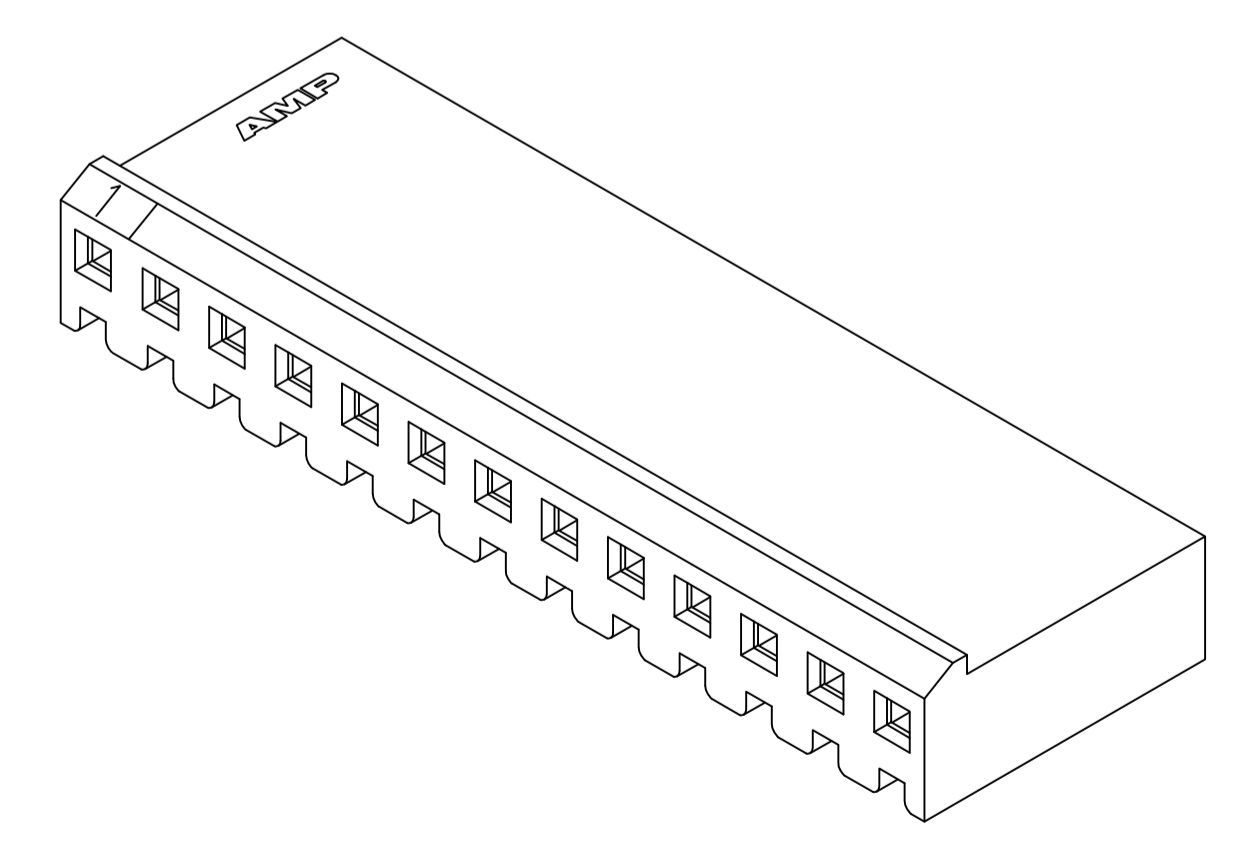
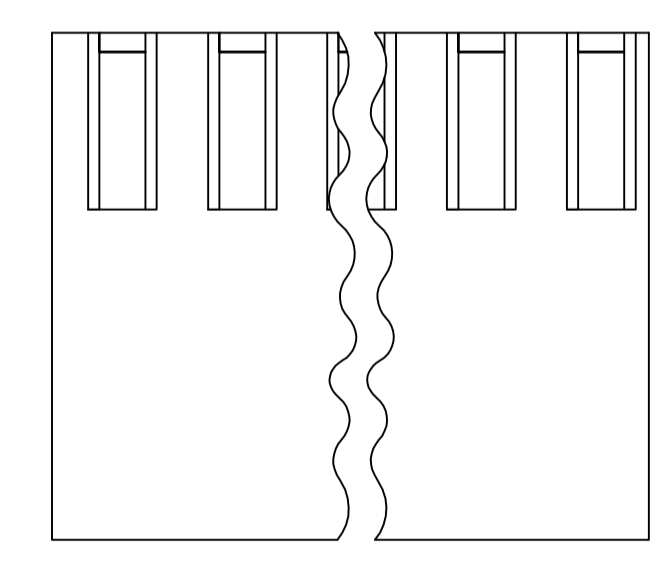
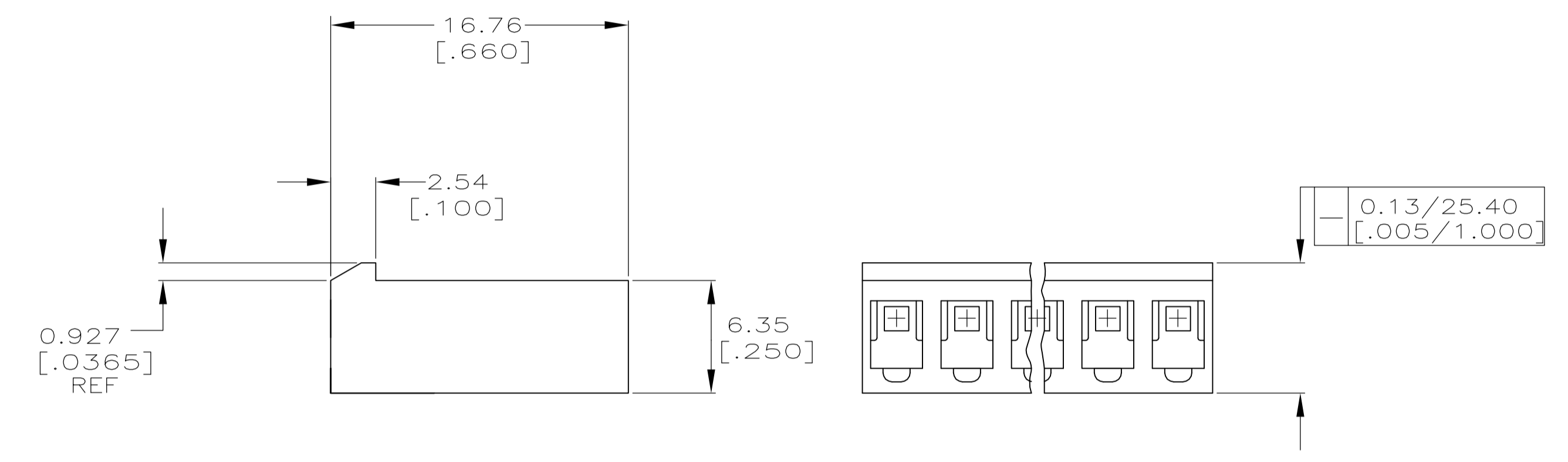
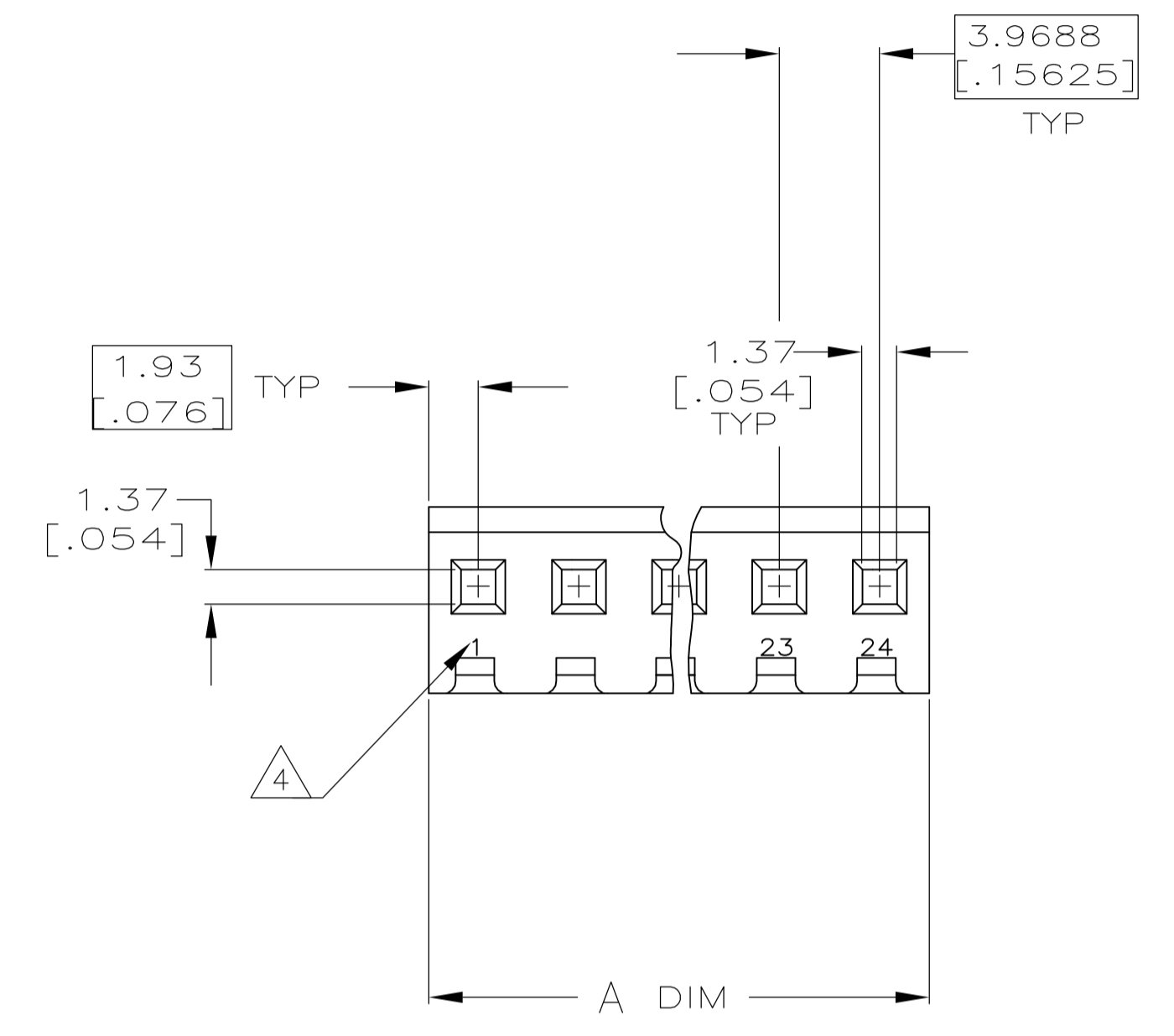
Keep Me Informed



LOC		DIST		REVISIONS			
P	LTR	DESCRIPTION	DATE	DWN	APVD		
V		REVISED PER ECO-12-007807	06AUG12	KH	SM		



SCALE 10:1



3-DIMENSIONAL MODEL NTS

- 1 UNIT ACCEPTS 1.14 [.045] SQUARE OR ROUND POST.
- 2 UNIT ACCEPTS STANDARD SL-156 CONTACTS.
- 3 UNIT ACCEPTS KEYING PLUG 640254-1 AND KEYING PIN 640255-1.
- 4 CIRCUIT I.D. NUMBER(S), TO BE LOCATED SEQUENTIALLY AS SHOWN OR ONLY NO.1 CIRCUIT PLACED ON LOCKING RAMP.
- 5 DIMENSIONS IN BRACKETS ARE IN INCHES.
- 6 OPTIONAL CONSTRUCTION (BOTH CORNERS) UP TO 0.38 [.015] FOR P/N -1 THRU -5, UP TO 1.27 [.050] FOR P/N -6 THRU 2--4.

95.15	[3.746]	24	2-640250-4
91.19	[3.590]	23	2-640250-3
87.20	[3.433]	22	2-640250-2
83.24	[3.277]	21	2-640250-1
79.27	[3.121]	20	2-640250-0
75.31	[2.965]	19	1-640250-9
71.32	[2.808]	18	1-640250-8
67.36	[2.652]	17	1-640250-7
63.40	[2.496]	16	1-640250-6
59.44	[2.340]	15	1-640250-5
55.45	[2.183]	14	1-640250-4
51.49	[2.027]	13	1-640250-3
47.52	[1.871]	12	1-640250-2
43.56	[1.715]	11	1-640250-1
39.57	[1.558]	10	1-640250-0
35.61	[1.402]	9	640250-9
31.65	[1.246]	8	640250-8
27.69	[1.090]	7	640250-7
23.70	[.933]	6	640250-6
19.74	[.777]	5	640250-5
15.77	[.621]	4	640250-4
11.81	[.465]	3	640250-3
7.82	[.308]	2	640250-2
3.86	[.152]	1	640250-1
A #0.25 [.010]		NO. OF CIRCUITS	

THIS DRAWING IS A CONTROLLED DOCUMENT.

DIMENSIONS: mm [INCHES]	TOLERANCES UNLESS OTHERWISE SPECIFIED:	DIN 7-27-92	STE TE Connectivity
0 PLC ± -	1 PLC ± -	7-27-92	NAME
2 PLC ± -	3 PLC ± 0.13 [.005]	7-27-92	HOUSING WITH LOCKING RAMP, SL-156
4 PLC ± -	ANGLES ± 0° 30'	9-28-92	SIZE
MATERIAL NYLON, UL 94V-0 NATURAL	FINISH -	APPROVED	WEIGHT
		APPROVED	SCALE 4:1
		APPROVED	SHEET 1 OF 1
		APPROVED	REV V

CUSTOMER DRAWING