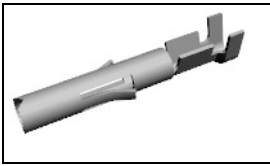


## 640347-2 Product Details

[Share](#) [Print](#) [Email](#)



**640347-2**

TE Internal Number: 640347-2  
 Active

[View 3D PDF](#)

### .250" Centerline, 600 V, 19 - 36 A max

Always EU RoHS/ELV Compliant (Statement of Compliance)

#### Product Highlights:

- Universal MATE-N-LOK Product Line
- Wire-to-Wire
- Applies To Wire/Cable
- Contact
- Contact Type = Socket

[View all Features](#)

#### Quick Links

- ▶ [Pricing & Availability](#)
- ▶ [Search for Tooling](#)
- ▶ [View Housings \(206\)](#)
- ▶ [Product Feature Selector](#)
- ▶ [Contact Us About This Product](#)

[Add to My Part List](#)

[Request Sample](#)

[Find Similar Products](#)

[Buy Product](#)

### Documentation & Additional Information

#### Product Drawings:

- [SOCKET, MATE-N-LOK\(TM\), LOOSE PIECE \(PDF, English\)](#)

#### Catalog Pages/Data Sheets:

- [SOFT\\_SHELL\\_PIN\\_SOCKET\\_CONNECTORS\\_STANDARD\\_DENSITY \(PDF, English\)](#)

#### Product Specifications:

- None Available

#### Application Specifications:

- [Universal MATE-N-LOK Connectors \(PDF, English\)](#)

#### Instruction Sheets:

- [Universal, Commercial, and .140 MATE-N-LOK Contact ... \(PDF, English\)](#)

#### CAD Files: [\(CAD Format & Compression Information\)](#)

- [2D Drawing \(DXF, Version G1\)](#)
- [3D Model \(IGES, Version G1\)](#)
- [3D Model \(STEP, Version G1\)](#)

[List all Documents](#)

#### Additional Information:

- [Product Line Information](#)

#### Related Products:

- [Tooling](#)
- [Housings \(206\)](#)

### Product Features (Please use the Product Drawing for all design activity)

#### Product Type Features:

- Product Line = Universal MATE-N-LOK
- Product Type = Contact
- Sealed = No
- Wire/Cable Type = Discrete Wire
- UL File Number = E28476
- CSA File Number = LR 7189

#### Mechanical Attachment:

- Contact Retention = With
- Contact Retention Type = Locking Lance

#### Electrical Characteristics:

- Contact - Rated Current (A) = 19
- Operating Voltage Reference = AC
- Operating Voltage (VAC) = 600

#### Termination Features:

- Wire/Cable Size (mm<sup>2</sup>) = 0.2 - 0.8
- Wire/Cable Size (AWG) = 18 - 24
- Termination Method to Wire/Cable = Crimp

#### Body Features:

- Wire Type = Stranded

#### Contact Features:

- Contact Type = Socket
- Contact Base Material = Brass
- Contact Plating, Mating Area, Material = Gold
- Multiple Contact Types = Without
- Contact Plating, Mating Area, Thickness (µm [µin]) = 0.76 [29.92]
- Underplate Material = Nickel

#### Configuration Features:

- Strain Relief = Without

#### Industry Standards:

- Agency/Standard = CSA, UL
- [RoHS/ELV Compliance](#) = RoHS compliant, ELV compliant
- [Lead Free Solder Processes](#) = Not relevant for lead free process
- RoHS/ELV Compliance History = Always was RoHS compliant
- VDE Tested = Yes
- UL Rating = Recognized
- CSA Rating = Certified

#### Environmental:

- Operating Temperature (°C [°F]) = -55 - +125 [-67 - +257]

#### Conditions for Usage:

- Applies To = Wire/Cable
- Glow Wire Rating = Standard Part - Not Glow Wire
- Accepts Wire Insulation Diameter, Range (mm [in]) = 1.02 - 2.54 [0.040 - 0.100]
- For Use With = Universal MATE-N-LOK Plug or Cap Housing

#### Operation/Application:

- Application Use = Wire-to-Wire

#### Packaging Features:

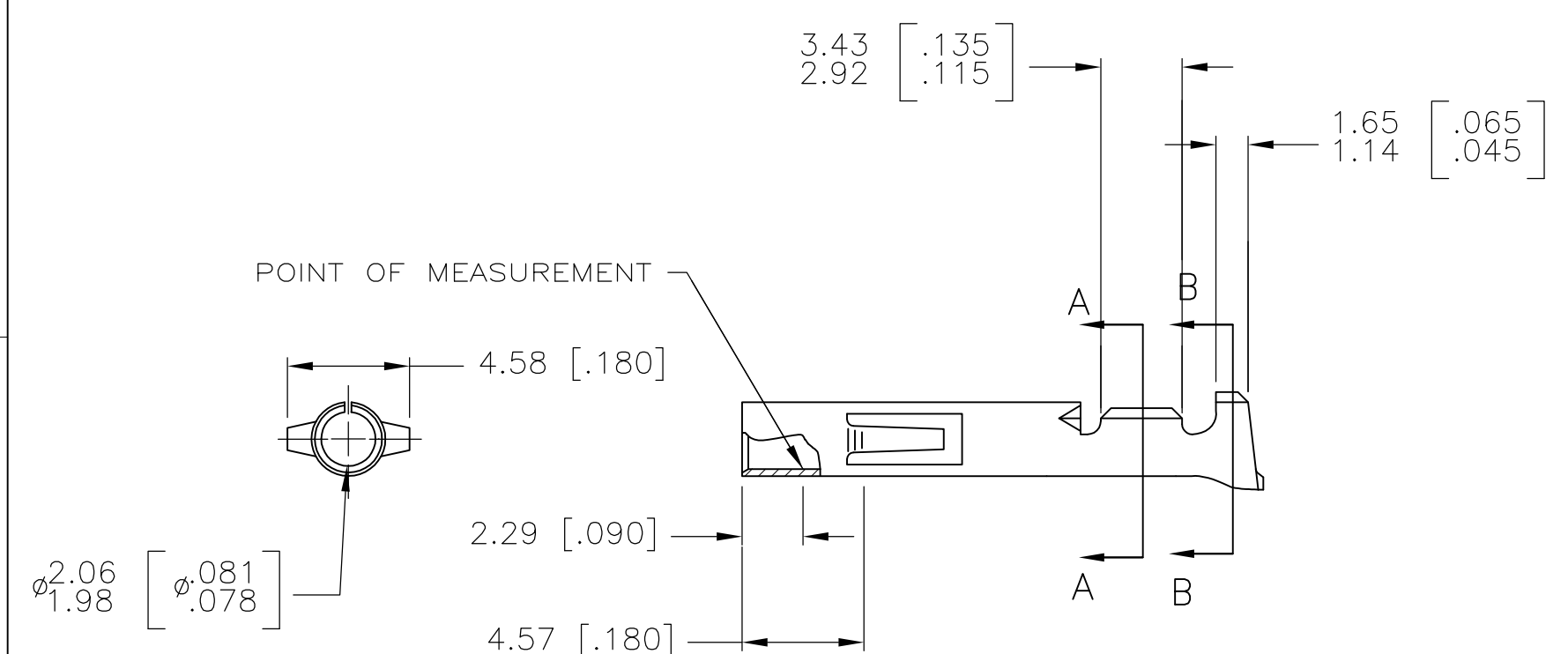
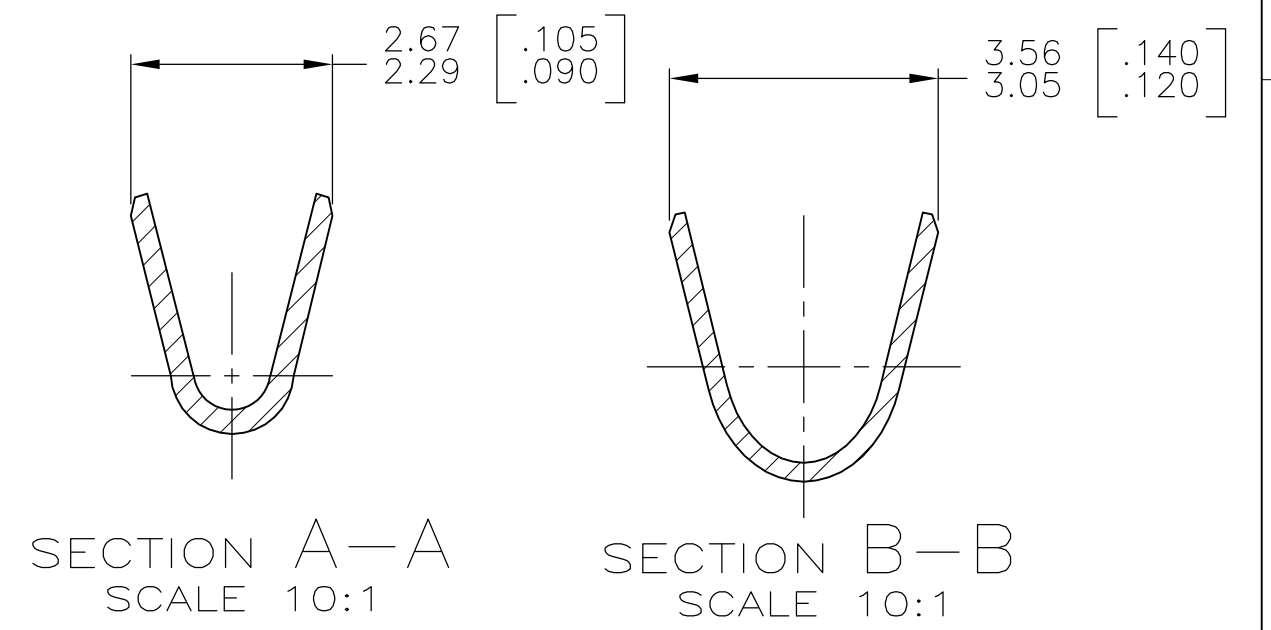
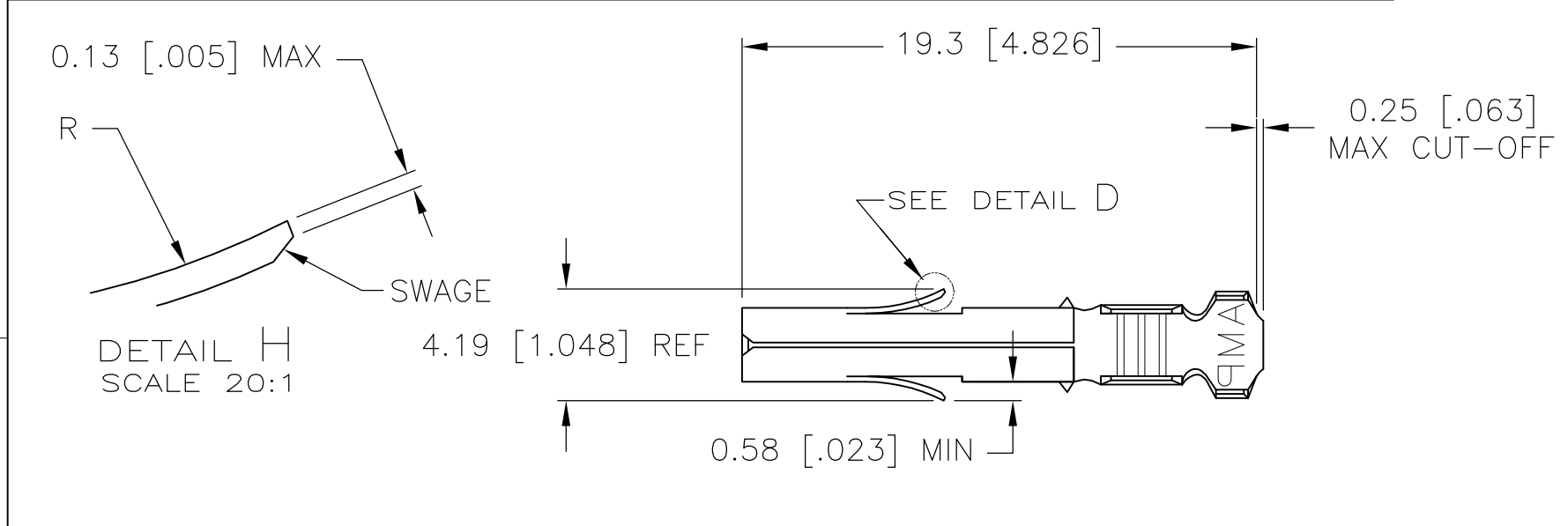
- Packaging Method = Bag
- Packaging Quantity = 1,000

#### Other:

- Brand = AMP

THIS DRAWING IS UNPUBLISHED. RELEASED FOR PUBLICATION  
 © COPYRIGHT - By - ALL RIGHTS RESERVED.

LOC	DIST	REVISIONS			
P	LTR	DESCRIPTION	DATE	DWN	APVD
CM	00	H	REVISED PER ECR-12-013323	09AUG12	KH TM



POINT OF MEASUREMENT  
 LOCALIZED GOLD PLATE AREA 1

- 1 0.00076 [.000030] THICK GOLD OVER NICKEL ON INSIDE OF RECEPTACLE AND WIRE BARREL AND REMAINDER OF CONTACT IS NICKEL PLATED.
- 2 24 -18 AWG.
- 3 INSULATION RANGE: 1.02-2.54 [.040-.100] DIA.

<span style="border: 1px solid black; padding: 2px;">1</span>	GOLD	0.3 [.012] BRASS	640347-2
	PRE-TIN	0.3 [.012] BRASS	640347-1
	FINISH	MATERIAL	PART NUMBER

THIS DRAWING IS A CONTROLLED DOCUMENT.		DWN K. WHITAKER 14MAR2007	<b>STE</b> TE Connectivity													
DIMENSIONS: mm [INCHES]		CHK D. COLEY 14MAR2007														
TOLERANCES UNLESS OTHERWISE SPECIFIED:		APVD D. COLEY 14MAR2007	NAME SOCKET, MATE-N-LOK(TM), LOOSE PIECE													
<table border="0"> <tr> <td>0 PLC</td><td>± -</td> </tr> <tr> <td>1 PLC</td><td>± -</td> </tr> <tr> <td>2 PLC</td><td>± 0.13[.005]</td> </tr> <tr> <td>3 PLC</td><td>± -</td> </tr> <tr> <td>4 PLC</td><td>± -</td> </tr> <tr> <td>ANGLES</td><td>± 0°30'</td> </tr> </table>		0 PLC	± -	1 PLC	± -	2 PLC	± 0.13[.005]	3 PLC	± -	4 PLC	± -	ANGLES	± 0°30'	PRODUCT SPEC -	SIZE A3	
		0 PLC	± -													
1 PLC	± -															
2 PLC	± 0.13[.005]															
3 PLC	± -															
4 PLC	± -															
ANGLES	± 0°30'															
MATERIAL -		FINISH -	CAGE CODE 00779	DRAWING NO C-640347												
CUSTOMER DRAWING			RESTRICTED TO -	SCALE 4:1												
			SHEET 1 OF 1	REV H												