

Distributed by:

JAMECO[®]
ELECTRONICS

www.Jameco.com ♦ 1-800-831-4242

The content and copyrights of the attached
material are the property of its owner.

Jameco Part Number 854153

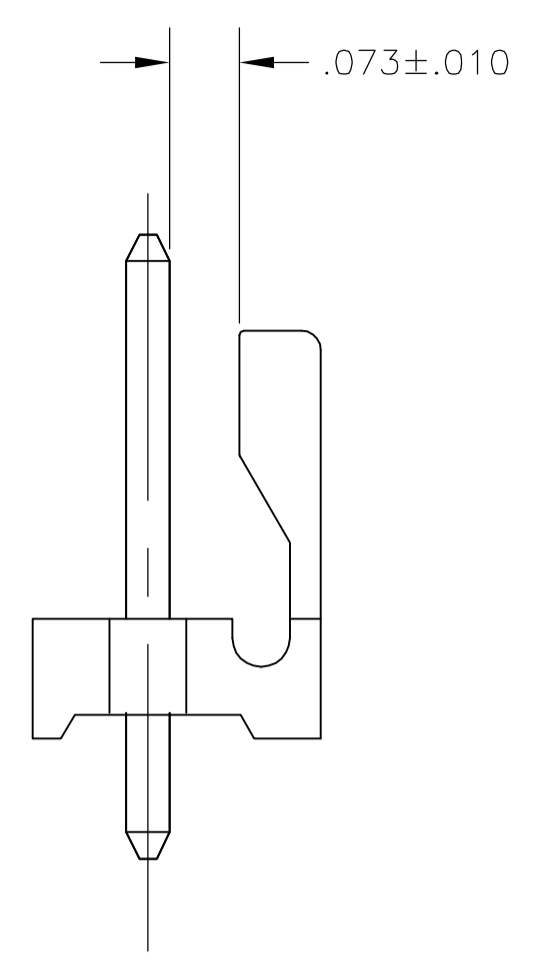
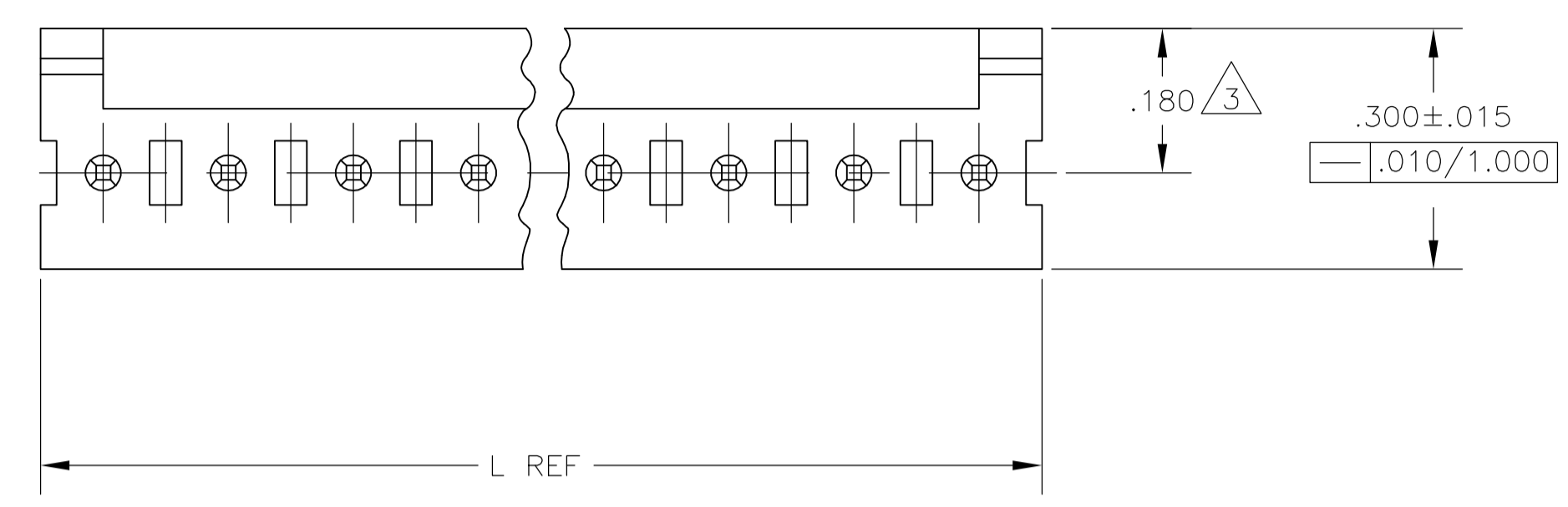


FIG 2

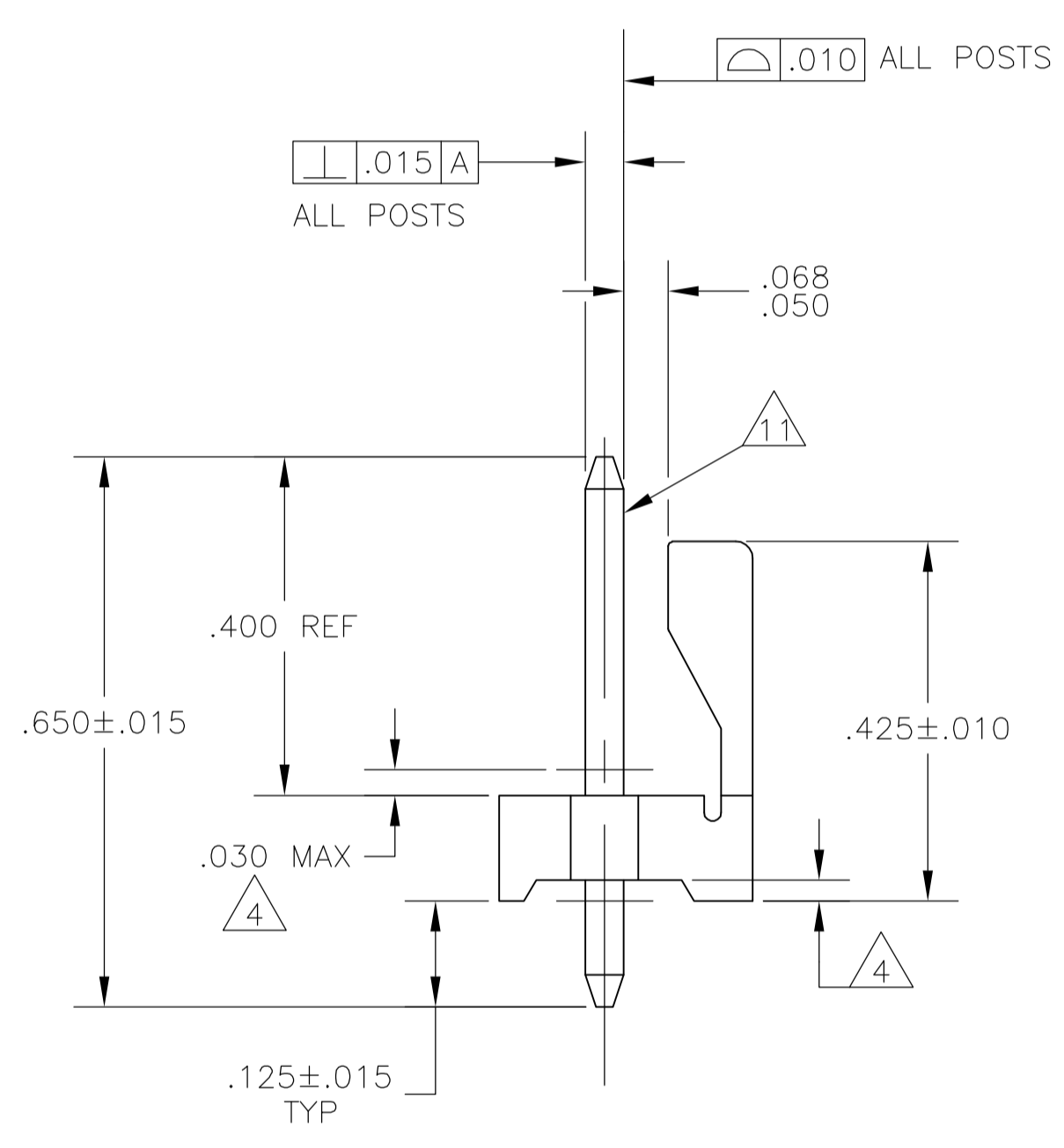
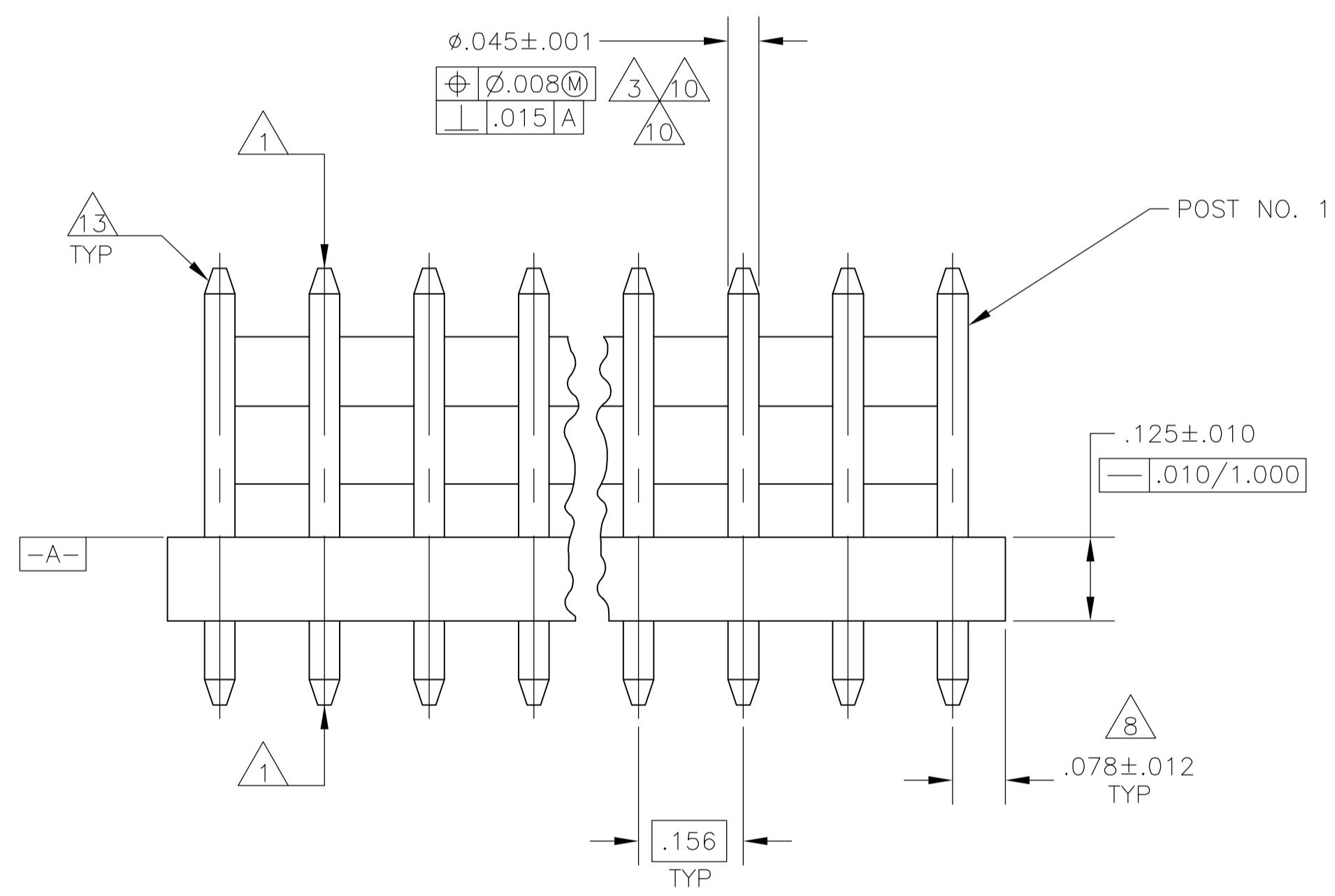
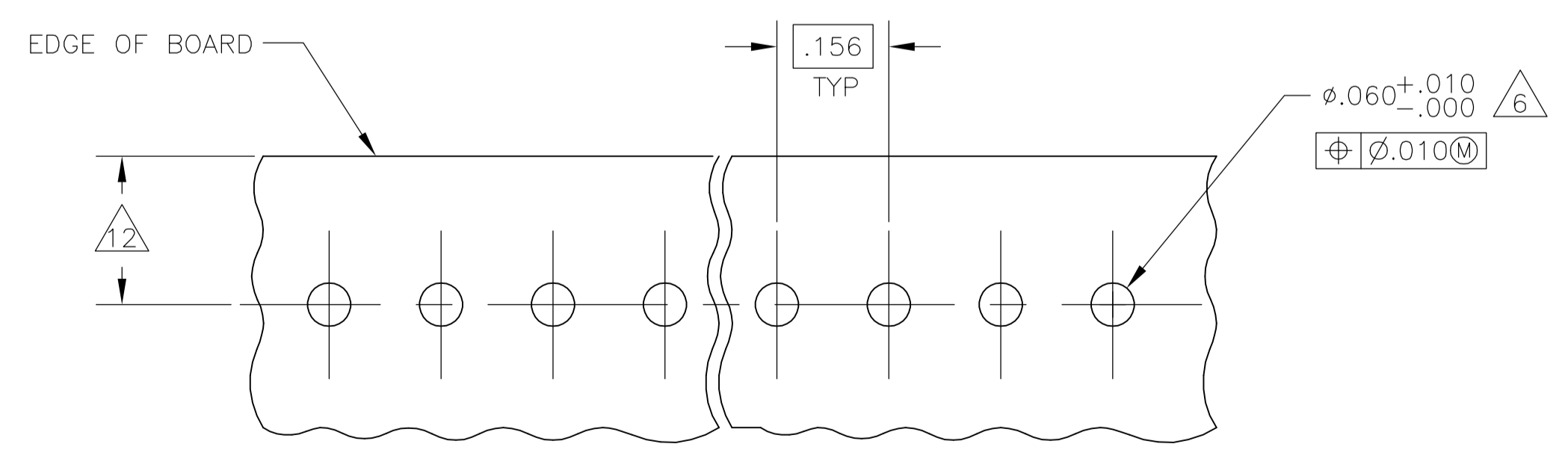


FIG 1



RECOMMENDED MOUNTING HOLE PATTERN FOR .063 THICK P.C. BOARD

- 1. POST TO WITHSTAND 13 NEWTONS (3LBS.) MIN. AXIAL FORCE IN BOTH DIRECTIONS SHOWN WITHOUT DISLODGING.
- 2. TOLERANCES APPLY TO SOLDER SIDE OF BOARD.
- 3. MEASURED AT SURFACE -A-
- 4. PLASTIC FLASH PERMITTED IN THIS AREA.
- 5. PARTS COMPLY WITH AMP SOLDERABILITY SPEC. NO. 109-11-2.
- 6. ONE HOLE MAY BE UNDERSIZED (.051/.046 DIA.) FOR ASSEMBLY RETENTION DURING WAVE SOLDERING.
- 7. MATERIAL : HEADER-THERMOPLASTIC POLYESTER GLASS-FILLED 94V-O(NATURAL)(FIG.2) POST-COPPER ALLOY (TIN PLATED)

MATERIAL : HEADER-THERMOPLASTIC POLYESTER NON-FILLED 94V-O(NATURAL)(FIG.1) POST-COPPER ALLOY (TIN PLATED)
- 8. COORDINATE DIMENSION APPLIES FROM CENTER OF ACTUAL FEATURE.
- 9. PLASTIC BURRS CAUSED BY CUT-OFF TOOLING ARE PERMITTED WITHIN THE MAXIMUM TOLERANCE ENVELOPE.
- 10. POST TO BE MEASURED WHEN STRIP IS HELD FLAT.
- 11. POST MUST WITHSTAND TWO 90° BENDS AGAINST EXTRUSION WITHOUT BREAKING.
- 12. DIMENSION SHOULD BE .175 MIN WHEN MATING WITH A MTA 156 CONNECTOR ASSEMBLY OR A SL-156 CONNECTOR ASSEMBLY.
- 13. PIN BURR OF .005 MAX. VERTICAL AND .003 MAX. HORIZONTAL PERMITTED AT POST TIPS ON BOTH ENDS.

.063	1.60		
.060	1.52	1.000	25.40
.051	1.30	.700	17.78
.046	1.17	.450	11.43
.045	1.14	.425	10.80
.030	0.76	.300	7.62
.015	0.38	.180	4.57
.012	0.30	.175	4.45
.010	0.25	.156	3.96
.008	0.20	.125	3.18
.005	0.13	.078	1.98
.003	0.08	.073	1.85
.001	0.03	.068	1.73
[IN]	MM	[IN]	MM

CONVERSION TABLE

2	95.10	3.744	24	2-640388-4
2	91.14	3.588	23	2-640388-3
2	87.17	3.432	22	2-640388-2
2	83.21	3.276	21	2-640388-1
2	79.25	3.120	20	2-640388-0
2	75.29	2.964	19	1-640388-9
2	71.32	2.808	18	1-640388-8
2	67.36	2.652	17	1-640388-7
2	63.40	2.496	16	1-640388-6
2	59.44	2.340	15	1-640388-5
2	55.47	2.184	14	1-640388-4
2	51.51	2.028	13	1-640388-3
2	47.55	1.872	12	1-640388-2
2	43.59	1.716	11	1-640388-1
2	39.62	1.560	10	1-640388-0
2	35.66	1.404	9	640388-9
1	31.70	1.248	8	640388-8
1	27.74	1.092	7	640388-7
1	23.77	.936	6	640388-6
1	19.81	.780	5	640388-5
1	15.85	.624	4	640388-4
1	11.89	.468	3	640388-3
1	7.92	.312	2	640388-2

FIG NO.	MM	[IN]	NUMBER OF POSITIONS	PART NUMBER
1			2	640388-2

THIS DRAWING IS A CONTROLLED DOCUMENT.

DRAWN: S. HOOVER	OSNOV02	Tyco Electronics Corporation Harrisburg, Pa 17105-3608
CHEK: D. BOSSI	OSNOV02	
APPRO: D. BOSSI	OSNOV02	MTA-.156 HEADER ASSEMBLY, FRICTION LOCK, STRAIGHT .045 ROUND POST, TIN PLATED
DIMENSIONS: INCHES	TOLERANCES UNLESS OTHERWISE SPECIFIED:	APPLICATION SPEC: MTA-.156 SIZE: A1 SCALE: 5:1 SHEET: 1 of 1 REV: W
0 PLC ± -	1 PLC ± -	WEIGHT: - CUSTOMER DRAWING
2 PLC ± -	3 PLC ± .005	
4 PLC ± -	ANGLES ± -	
MATERIAL: 7	FINISH: 7	

