

Distributed by:

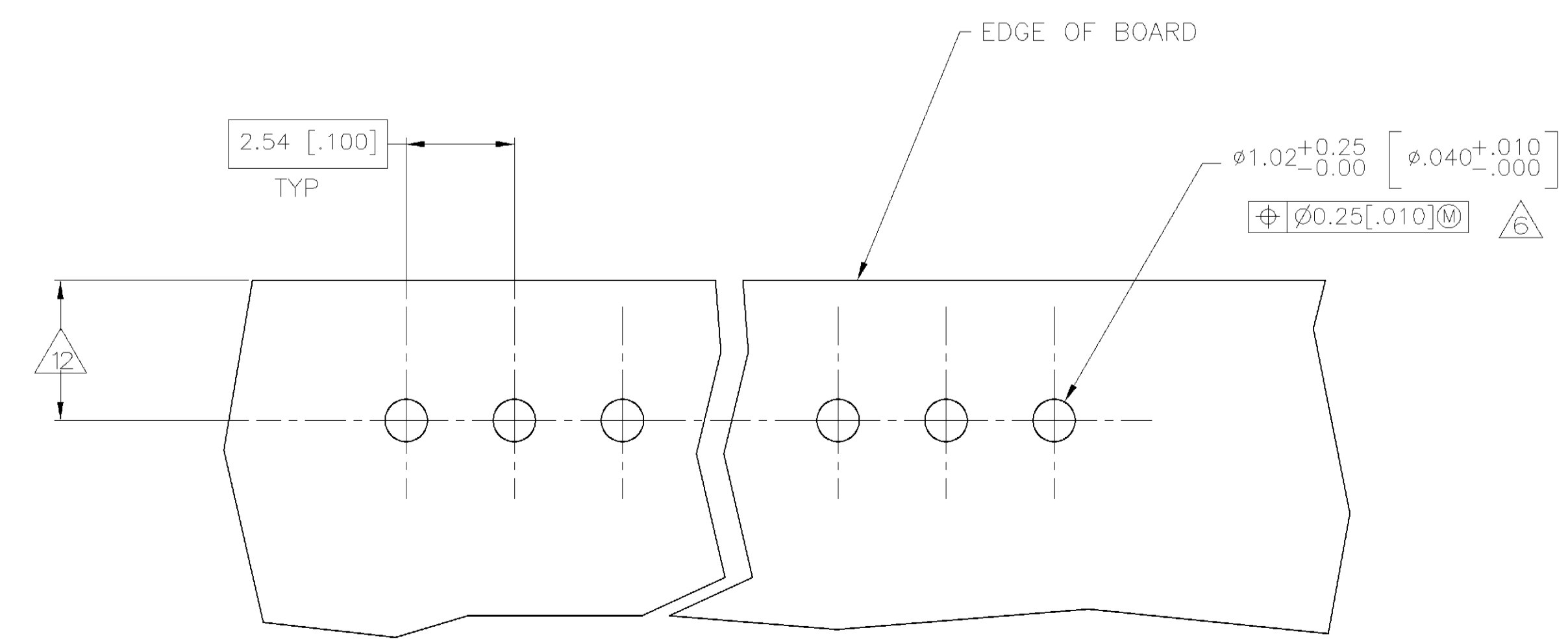
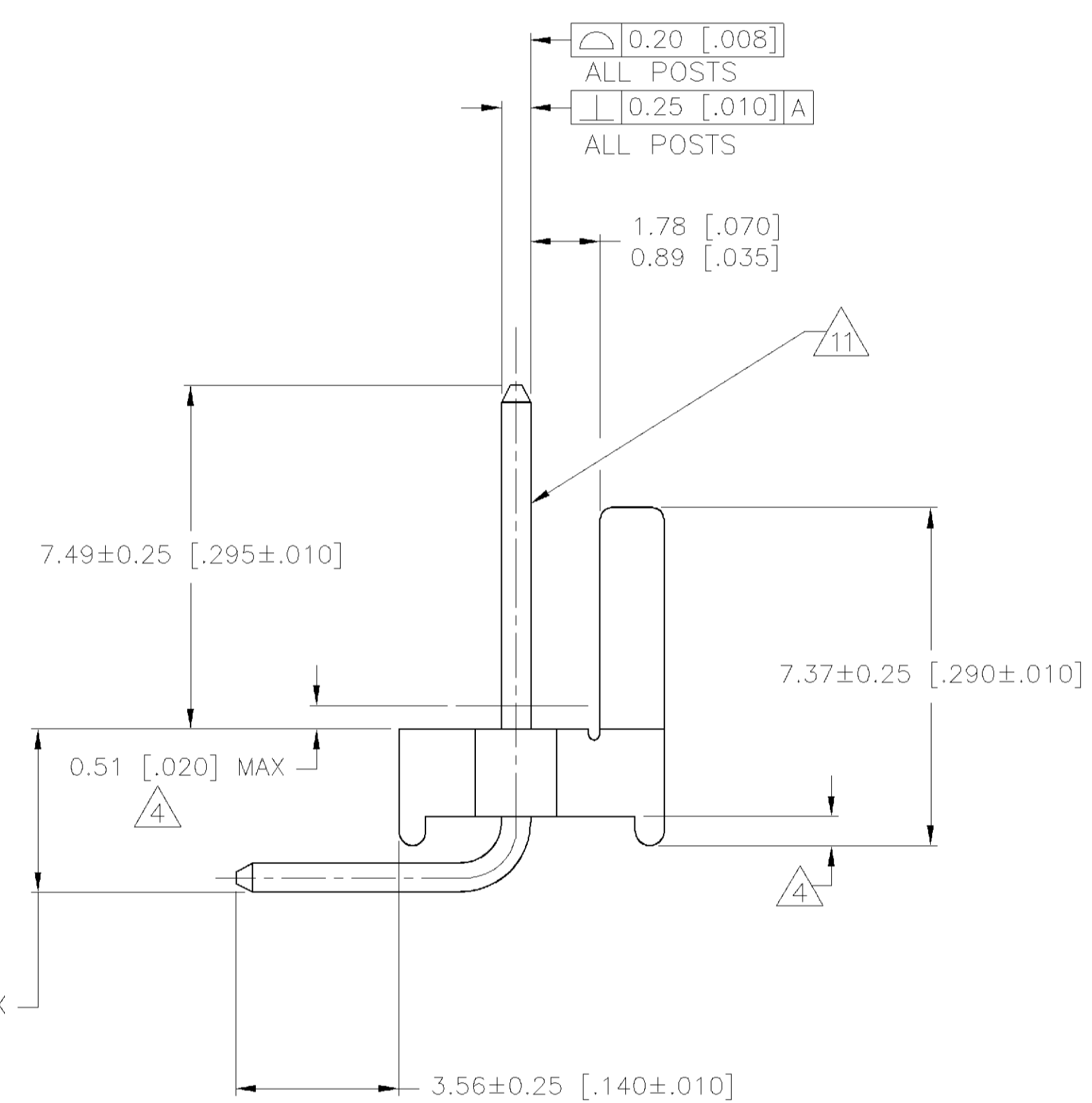
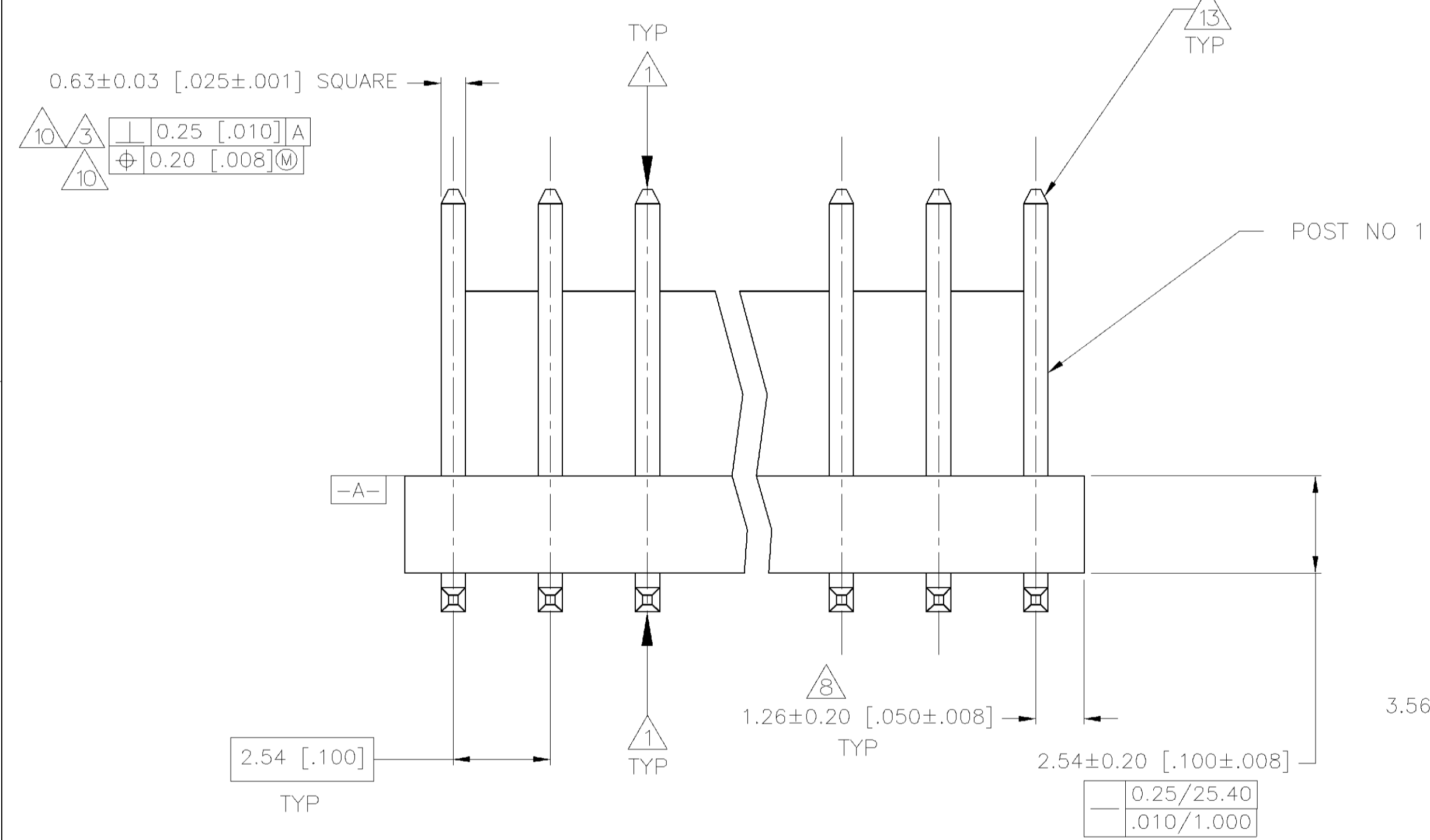
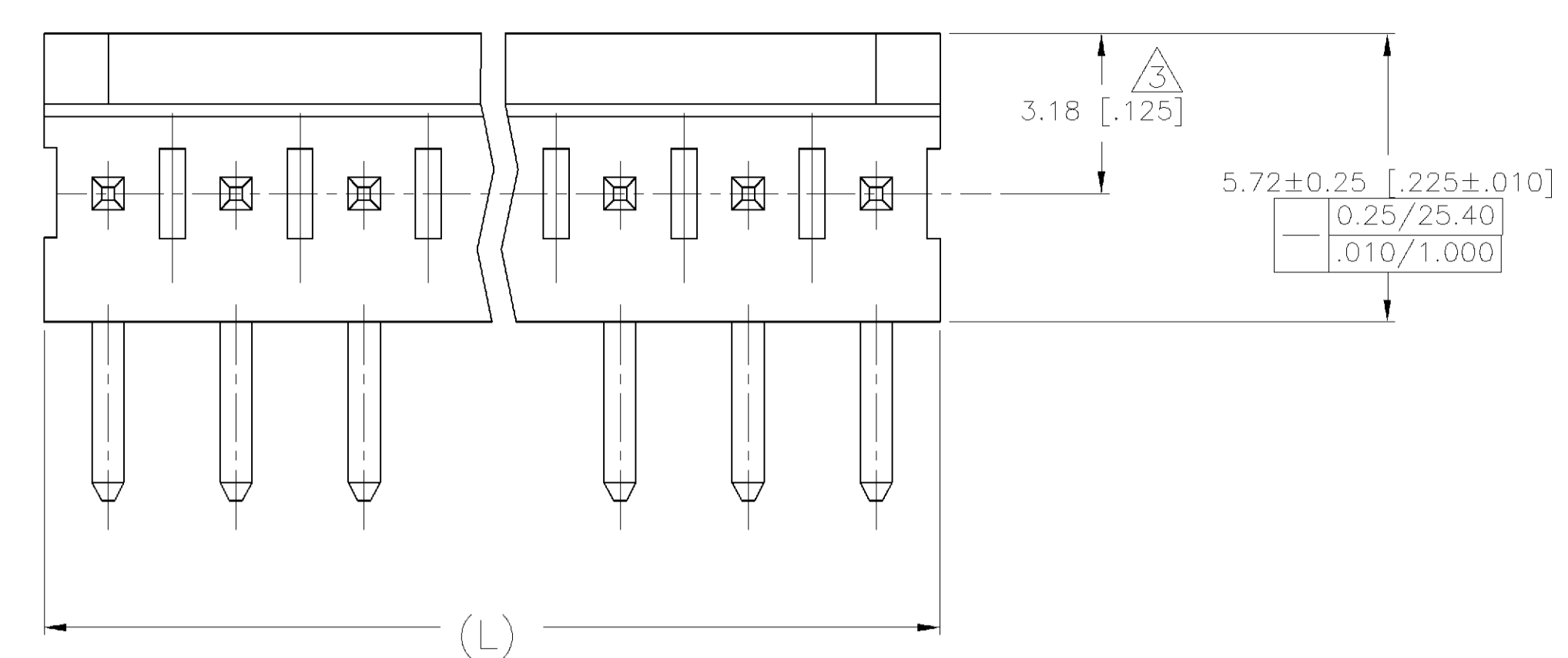
JAMECO[®]
ELECTRONICS

www.Jameco.com ♦ 1-800-831-4242

The content and copyrights of the attached
material are the property of its owner.

Jameco Part Number 231600

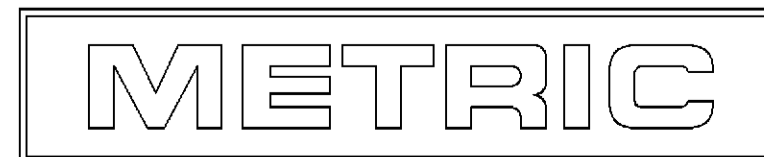
LOC		DIST		REVISIONS			
P	LTR	DESCRIPTION	DATE	OWN	APVD		
W		REVISED PER 063B-0126-01	22-OCT-01	SH	DB		



RECOMMENDED MOUNTING HOLE PATTERN FOR 1.60 [0.063] THICK P.C. BOARD

- 1. POST TO WITHSTAND 13 NEWTONS [3 LBS.] MIN. AXIAL FORCE IN BOTH DIRECTIONS SHOWN WITHOUT DISLODGING.
- 2. TOLERANCES APPLY TO SOLDER SIDE OF BOARD.
- 3. MEASURED AT SURFACE -A-
- 4. PLASTIC FLASH PERMITTED IN THIS AREA.
- 5. PARTS COMPLY WITH SOLDERABILITY SPEC. 109-11-2
- 6. ONE HOLE MAY BE UNDERSIZED 0.81-0.89 [0.032-.035] DIA. FOR ASSEMBLY RETENTION DURING WAVE SOLDERING.
- 7. MATERIAL: HEADER-THERMOPLASTIC POLYESTER 94V-0(NATURAL)
POST-COPPER ALLOY (TIN PLATED)
- 8. COORDINATE DIMENSION APPLIES FROM CENTER OF ACTUAL FEATURE.
- 9. PLASTIC BURRS CAUSED BY CUT-OFF TOOLING ARE PERMITTED WITHIN THE MAXIMUM TOLERANCE ENVELOPE.
- 10. POSTS TO BE MEASURED WHEN STRIP IS HELD FLAT.
- 11. POSTS MUST WITHSTAND TWO 90° BENDS AGAINST EXTRUSION WITHOUT BREAKING.
- 12. DIMENSION SHOULD BE 2.79-4.06 [0.110-.160] WHEN MATING WITH A MTA 100 CONNECTOR ASSEMBLY OR 2.79-3.05 [0.110-.120] WHEN MATING WITH A CST 100 CONNECTOR.
- 13. PIN BURR OF 0.13 [0.005] MAX. VERTICAL AND 0.08 [0.003] MAX. HORIZONTAL PERMITTED AT POST TIPS ON BOTH ENDS.

71.12	2.800	28	2-640455-8
68.58	2.700	27	2-640455-7
66.04	2.600	26	2-640455-6
63.50	2.500	25	2-640455-5
60.96	2.400	24	2-640455-4
58.42	2.300	23	2-640455-3
55.88	2.200	22	2-640455-2
53.34	2.100	21	2-640455-1
50.80	2.000	20	2-640455-0
48.26	1.900	19	1-640455-9
45.72	1.800	18	1-640455-8
43.18	1.700	17	1-640455-7
40.64	1.600	16	1-640455-6
38.10	1.500	15	1-640455-5
35.56	1.400	14	1-640455-4
33.02	1.300	13	1-640455-3
30.48	1.200	12	1-640455-2
27.94	1.100	11	1-640455-1
25.40	1.000	10	1-640455-0
22.86	.900	9	640455-9
20.32	.800	8	640455-8
17.78	.700	7	640455-7
15.24	.600	6	640455-6
12.70	.500	5	640455-5
10.16	.400	4	640455-4
7.62	.300	3	640455-3
5.08	.200	2	640455-2
MM	[IN]	NO OF POSITIONS	PART NUMBER
L			



THIS DRAWING IS A CONTROLLED DOCUMENT.

DIMENSIONS: MM [INCHES]	TOLERANCES UNLESS OTHERWISE SPECIFIED:	0 PLC ± -	1 PLC ± -	2 PLC ± -	3 PLC ± -	4 PLC ± 0.13 [0.005]	ANGLES ± ± 0.30°
-------------------------	--	-----------	-----------	-----------	-----------	----------------------	------------------

APVD: D. BOSSI	22-OCT-2001	OWN: S. HAMM	22-OCT-2001
NAME: MTA-100 HEADER ASSEMBLY, POLARIZED, NOTCHED, .025 SQUARE RIGHT ANGLE POST, TIN PLATED	SIZE: A1	CAGE CODE: 00779	DRAWING NO: 640455
RESTRICTED TO: -	SCALE: 8:1	SHEET: 1 OF 1	REV: W

CUSTOMER DRAWING