

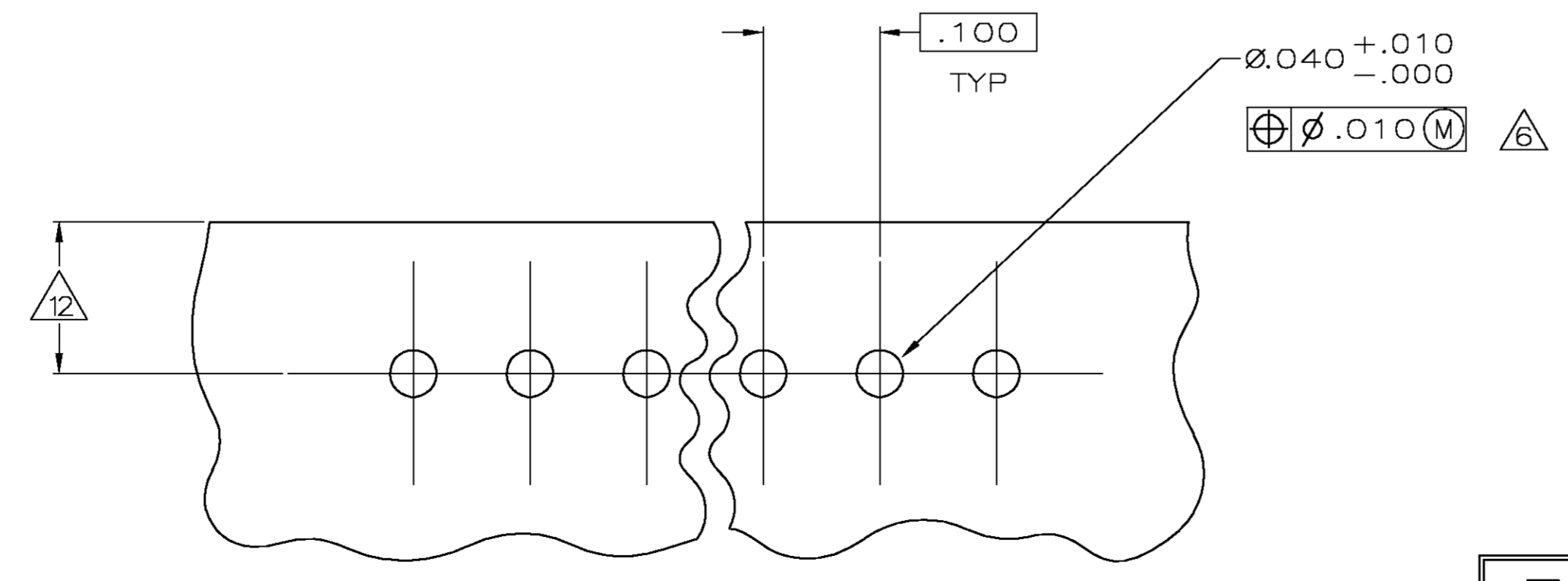
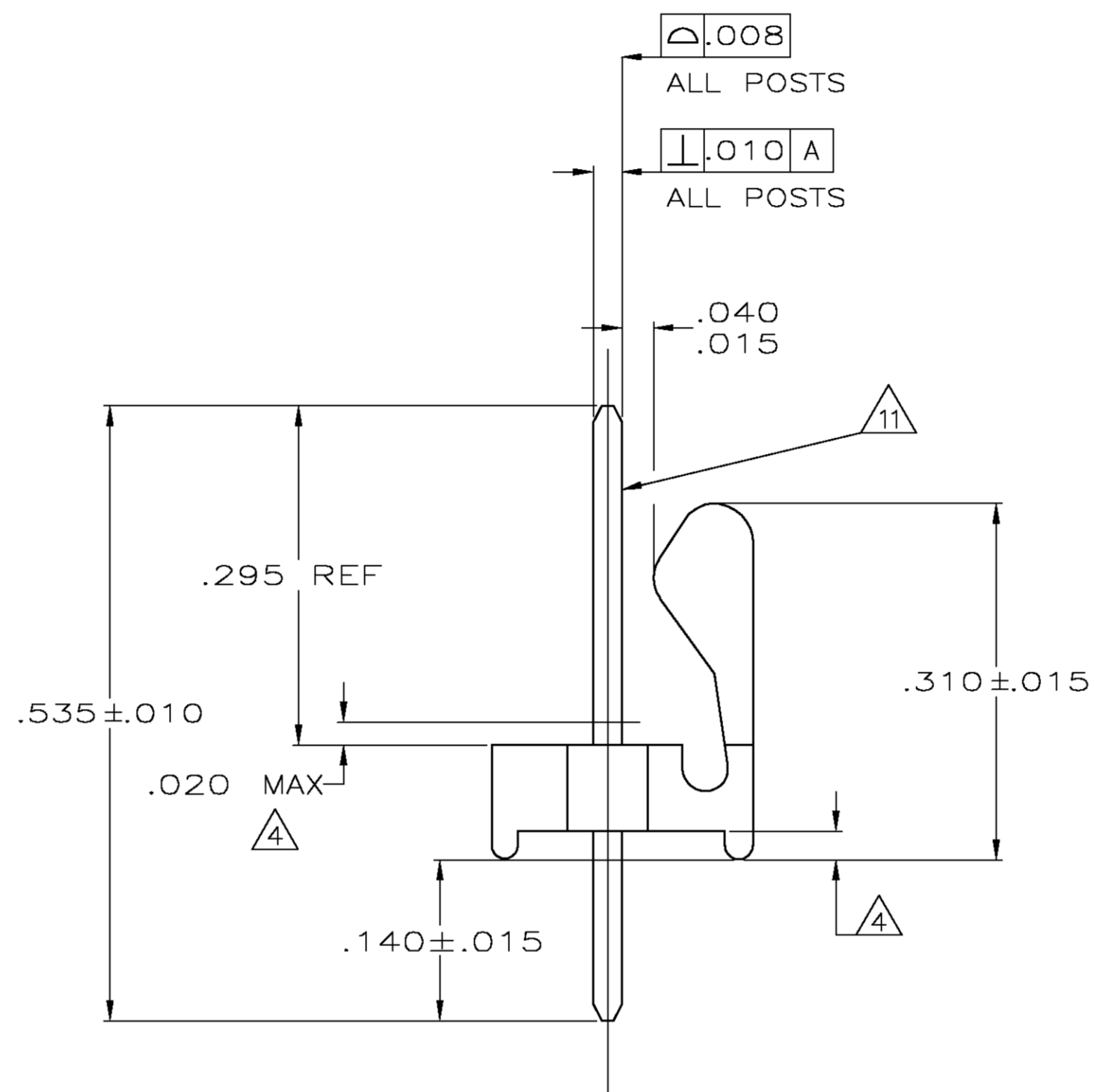
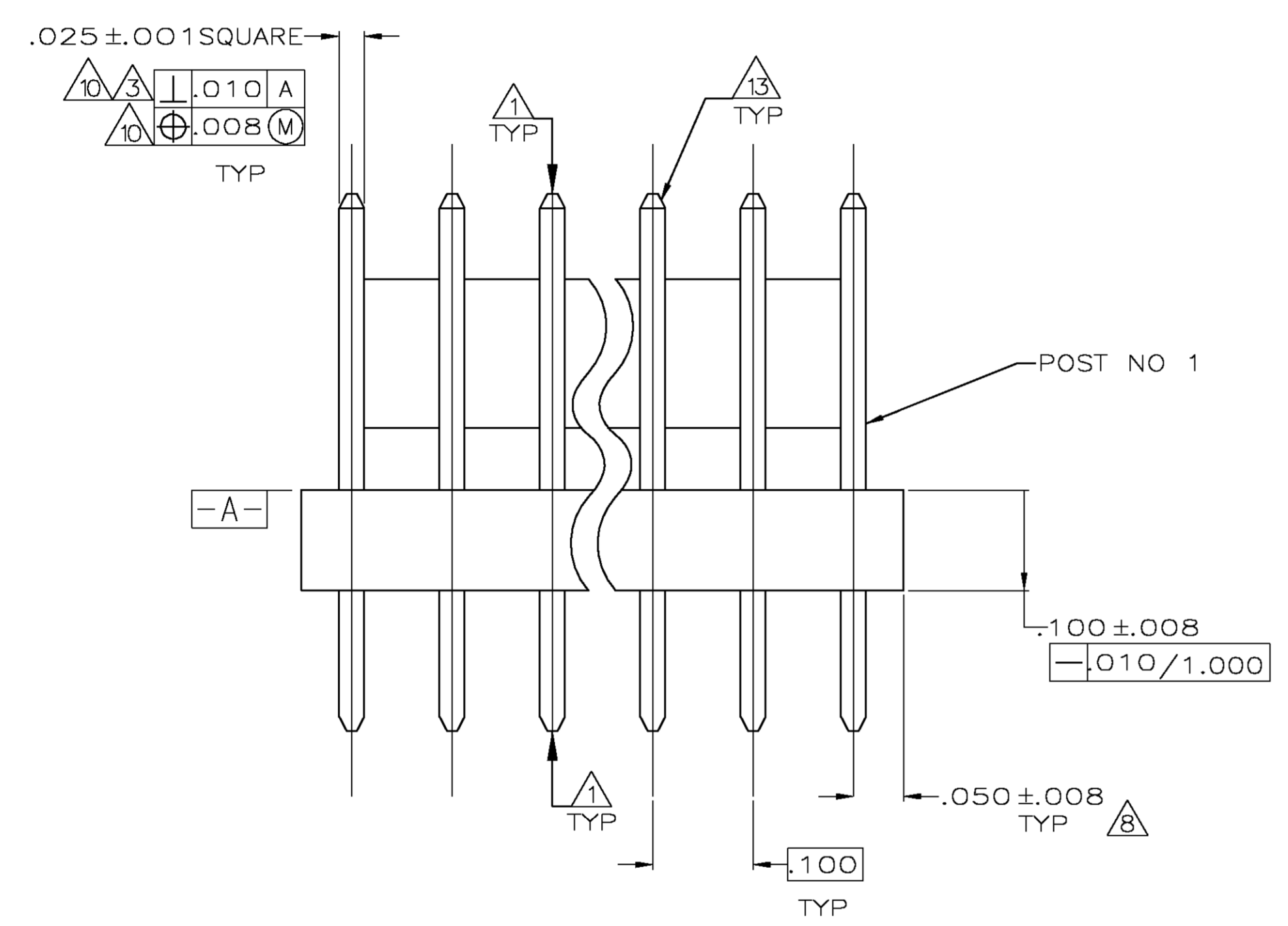
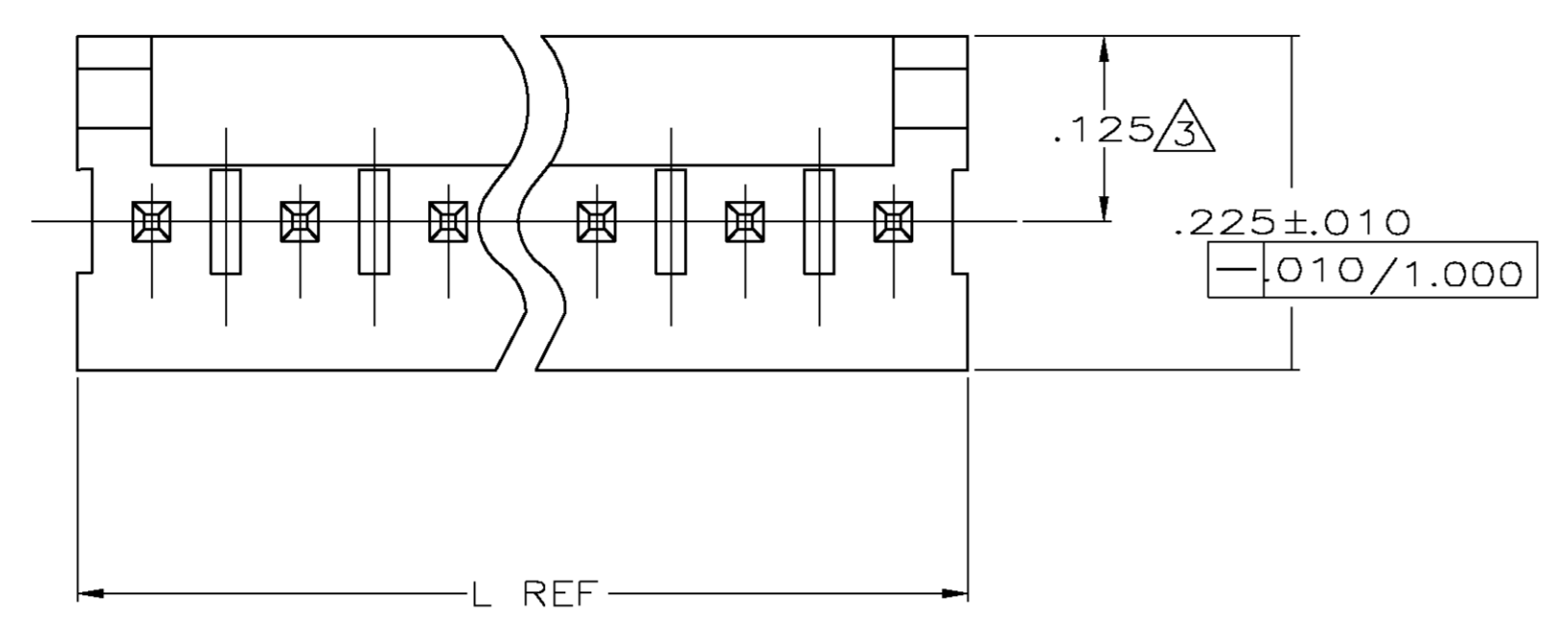
Distributed by:

JAMECO[®]
ELECTRONICS

www.Jameco.com ♦ 1-800-831-4242

The content and copyrights of the attached
material are the property of its owner.

Jameco Part Number 613991



		1.000		25.40	
.035	0.89	.535	13.59		
.032	0.81	.310	7.87		
.025	0.64	.295	7.49		
.020	0.51	.225	5.72		
.015	0.38	.140	3.56		
.010	0.25	.130	3.30		
.008	0.20	.125	3.18		
.005	0.13	.100	2.54		
.003	0.08	.063	1.60		
.001	0.03	.050	1.27		
.000	0.00	.040	1.02		
IN	MM	IN	MM		

CONVERSION TABLE

- 1. POST TO WITHSTAND 13 NEWTONS (3 LBS) MIN. AXIAL FORCE IN BOTH DIRECTIONS SHOWN WITHOUT DISLODGING.
- 2. TOLERANCES APPLY TO SOLDER SIDE OF BOARD.
- 3. MEASURED AT SURFACE -A-
- 4. PLASTIC FLASH PERMITTED IN THIS AREA.
- 5. PARTS COMPLY WITH AMP SOLDERABILITY SPEC. NO. 109-11-2.
- 6. ONE HOLE MAY BE UNDERSIZED (.032-.035 DIA) FOR ASSEMBLY RETENTION DURING WAVE SOLDERING.
- 7. MATERIAL: HEADER-THERMOPLASTIC POLYESTER
UL94V-0(NATURAL)
POST-COPPER ALLOY (TIN-PLATED)
- 8. COORDINATE DIMENSION APPLIES FROM CENTER OF ACTUAL FEATURE.
- 9. PLASTIC BURRS CAUSED BY CUT-OFF TOOLING ARE PERMITTED WITHIN THE MAXIMUM TOLERANCE ENVELOPE.
- 10. POSTS TO BE MEASURED WHEN STRIP IS HELD FLAT.
- 11. POSTS MUST WITHSTAND TWO 90° BENDS AGAINST EXTRUSION WITHOUT BREAKING.
- 12. DIMENSION SHOULD BE .130 MIN WHEN MATING WITH A MTA 100 CONNECTOR ASSEMBLY OR A CST 100 CONNECTOR.
- 13. PIN BURR OF .005 MAX. VERTICAL AND .003 MAX. HORIZONTAL PERMITTED AT POST TIPS ON BOTH ENDS.

2.800	71.12	28	2-640456-8
2.700	68.58	27	2-640456-7
2.600	66.04	26	2-640456-6
2.500	63.50	25	2-640456-5
2.400	60.96	24	2-640456-4
2.300	58.42	23	2-640456-3
2.200	55.88	22	2-640456-2
2.100	53.34	21	2-640456-1
2.000	50.80	20	2-640456-0
1.900	48.26	19	1-640456-9
1.800	45.72	18	1-640456-8
1.700	43.18	17	1-640456-7
1.600	40.64	16	1-640456-6
1.500	38.10	15	1-640456-5
1.400	35.56	14	1-640456-4
1.300	33.02	13	1-640456-3
1.200	30.48	12	1-640456-2
1.100	27.94	11	1-640456-1
1.000	25.40	10	1-640456-0
.900	22.86	9	640456-9
.800	20.32	8	640456-8
.700	17.78	7	640456-7
.600	15.24	6	640456-6
.500	12.70	5	640456-5
.400	10.16	4	640456-4
.300	7.62	3	640456-3
.200	5.08	2	640456-2
IN	MM	NO OF POSITIONS	PART NUMBER
L			

RECOMMENDED MOUNTING HOLE PATTERN FOR .063 THICK P.C. BOARD

METRIC

THIS DRAWING IS A CONTROLLED DOCUMENT.		DWG K. WHITAKER	11JUN2004	Tyco Electronics Corporation Greensboro, NC 27409
DIMENSIONS: INCHES		CHK D. BOSSI	11JUN04	
TOLERANCES UNLESS OTHERWISE SPECIFIED:		NAME		MTA-100 HEADER ASSEMBLY, POLARIZED, NOTCHED, .025 SQUARE STRAIGHT POST, TIN PLATED
0/PLC ± - 1/PLC ± - 2/PLC ± - 3/PLC ± .005 4/PLC ± - ANGLES ± 0.30°		PRODUCT SPEC APPLICATION SPEC SIZE CAGE CODE DRAWING NO WEIGHT		
MATERIAL 7		FINISH 7		A1 00779 C=640456 CUSTOMER DRAWING SCALE 8:1 SHEET 1 OF 1 REV W