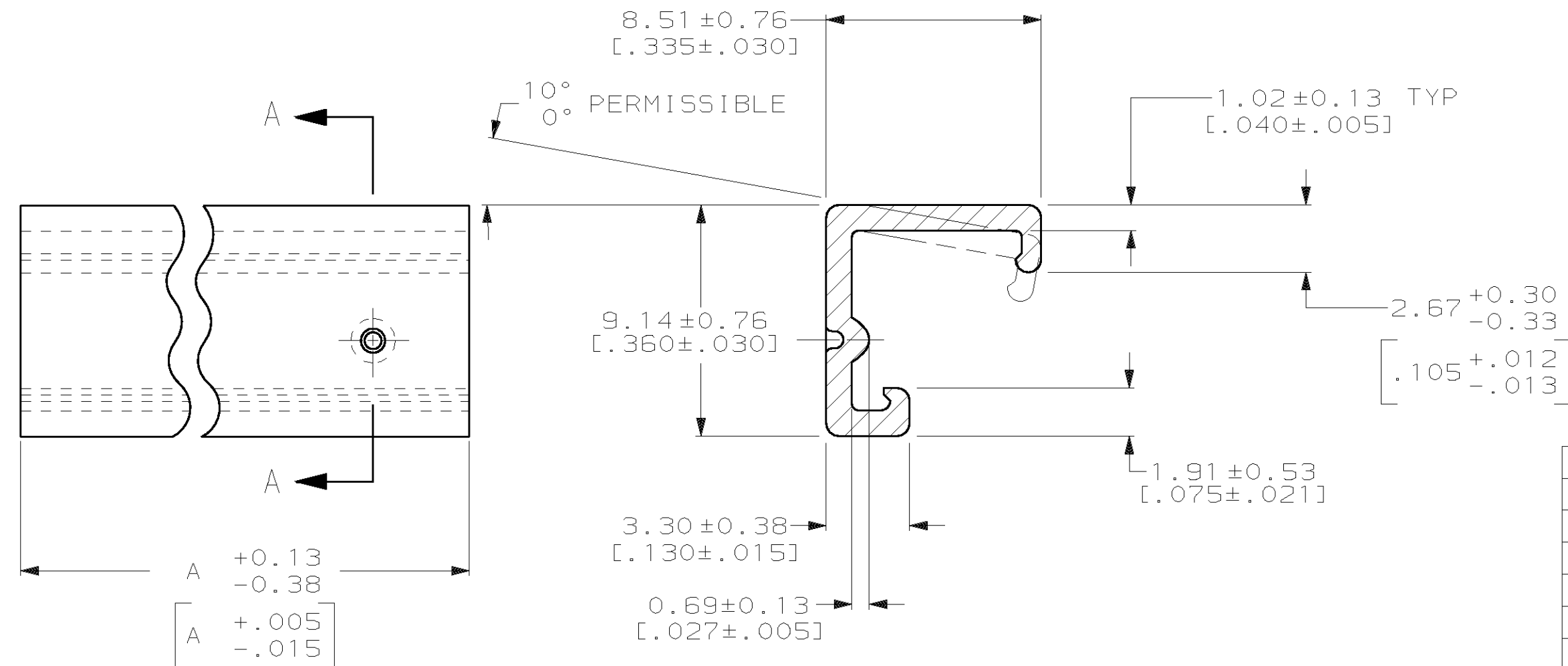


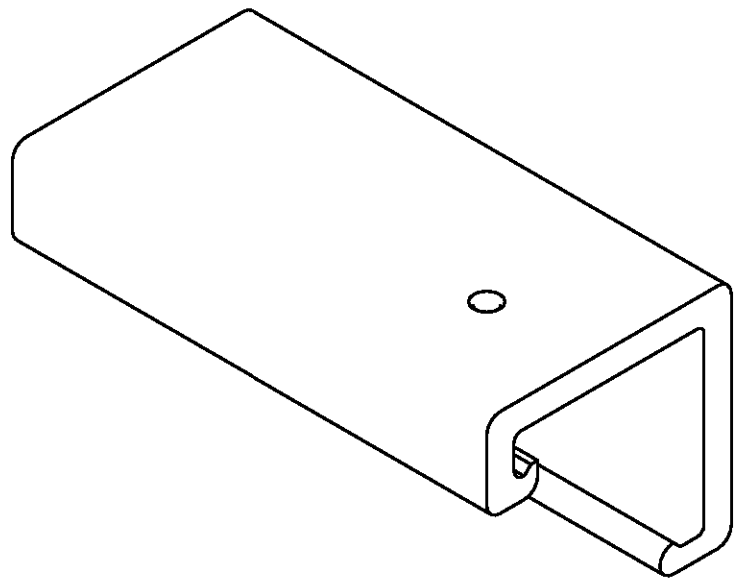
THIS DRAWING IS UNPUBLISHED. RELEASED FOR PUBLICATION
 © COPYRIGHT 19 BY AMP INCORPORATED. ALL INTERNATIONAL RIGHTS RESERVED.

LOC		DIST		P		F		ZONE		LTR		REVISIONS		DATE	APPD
CM	54									L		REVISED PER EC OG3B-0197-99	15-MAR-00	KW	DB

1. DIMENSIONS IN BRACKETS ARE IN INCHES.



SECTION A-A



3-DIMENSIONAL MODEL NTS

28 CIRCUIT ASSY	71.12	[2.800]	2-640550-8
27 CIRCUIT ASSY	68.58	[2.700]	2-640550-7
26 CIRCUIT ASSY	66.04	[2.600]	2-640550-6
25 CIRCUIT ASSY	63.50	[2.500]	2-640550-5
24 CIRCUIT ASSY	60.96	[2.400]	2-640550-4
23 CIRCUIT ASSY	58.42	[2.300]	2-640550-3
22 CIRCUIT ASSY	55.88	[2.200]	2-640550-2
21 CIRCUIT ASSY	53.34	[2.100]	2-640550-1
20 CIRCUIT ASSY	50.80	[2.000]	2-640550-0
19 CIRCUIT ASSY	48.26	[1.900]	1-640550-9
18 CIRCUIT ASSY	45.72	[1.800]	1-640550-8
17 CIRCUIT ASSY	43.18	[1.700]	1-640550-7
16 CIRCUIT ASSY	40.64	[1.600]	1-640550-6
15 CIRCUIT ASSY	38.10	[1.500]	1-640550-5
14 CIRCUIT ASSY	35.56	[1.400]	1-640550-4
13 CIRCUIT ASSY	33.02	[1.300]	1-640550-3
12 CIRCUIT ASSY	30.48	[1.200]	1-640550-2
11 CIRCUIT ASSY	27.94	[1.100]	1-640550-1
10 CIRCUIT ASSY	25.40	[1.000]	1-640550-0
9 CIRCUIT ASSY	22.86	[.900]	640550-9
8 CIRCUIT ASSY	20.32	[.800]	640550-8
7 CIRCUIT ASSY	17.78	[.700]	640550-7
6 CIRCUIT ASSY	15.24	[.600]	640550-6
5 CIRCUIT ASSY	12.70	[.500]	640550-5
4 CIRCUIT ASSY	10.16	[.400]	640550-4
3 CIRCUIT ASSY	7.62	[.300]	640550-3
2 CIRCUIT ASSY	5.08	[.200]	640550-2

USED ON MTA 100 CONNECTOR ASSEMBLY AS LISTED		A	PART NO
DO NOT SCALE PRINT. UNLESS SPECIFIED DIMENSIONS IN mm [INCHES] TOLERANCES ON : 2 PLC DEC ± - 3 PLC DEC ± - ANGLES ± -	DR 7-10-91 T. BECK CHK 7-10-91 R. SWING APPD 7-10-91 T. WERT	AMP Incorporated Harrisburg, PA 17105-3608 NAME COVER, MTA-100	
MATERIAL POLYESTER, UL 94V-0 NATURAL	APPD 7-10-91 T. WERT PRODUCT SPEC -		
FINISH -	APPLICATION SPEC -	SIZE C	CAGE CODE 00779
	WEIGHT -	SCALE 5:1	DRAWING NO 640550
			SHEET 1 OF 1

