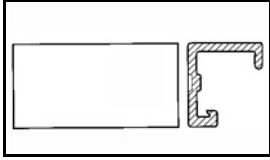


640550-2 Product Details

[Share](#) [Print](#) [Email](#)



640550-2

TE Internal Number: 640550-2

Active

[View 3D PDF](#)

MTA, CST and SL Accessories

Always EU RoHS/ELV Compliant
(Statement of Compliance)

Product Highlights:

- Accessory Type = Dust Cover
- Without Panel Mount Retention
- Cover Style = Closed End
- 2 Positions
- Used For MTA-100 Connectors

[View all Features](#)

Quick Links

- ▶ [Pricing & Availability](#)
- ▶ [Search for Tooling](#)
- ▶ [Product Feature Selector](#)
- ▶ [Contact Us About This Product](#)

[Add to My Part List](#)

[Request Sample](#)

[Find Similar Products](#)

[Buy Product](#)

Documentation & Additional Information	
<p>Product Drawings:</p> <ul style="list-style-type: none"> • COVER, MTA-100 (PDF, English) <p>Catalog Pages/Data Sheets:</p> <ul style="list-style-type: none"> • MTA, CST-100 II, SL-156 and AMP Economy Power (EP) C... (PDF, English) <p>Product Specifications:</p> <ul style="list-style-type: none"> • None Available <p>Application Specifications:</p> <ul style="list-style-type: none"> • None Available <p>Instruction Sheets:</p> <ul style="list-style-type: none"> • None Available <p>CAD Files: (CAD Format & Compression Information)</p> <ul style="list-style-type: none"> • 2D Drawing (DXF, Version L) • 3D Model (IGES, Version L) • 3D Model (STEP, Version L) 	<p>Additional Information:</p> <ul style="list-style-type: none"> • Product Line Information <p>Additional Product Images:</p> <ul style="list-style-type: none"> • Product Photo <p>Related Products:</p> <ul style="list-style-type: none"> • Tooling

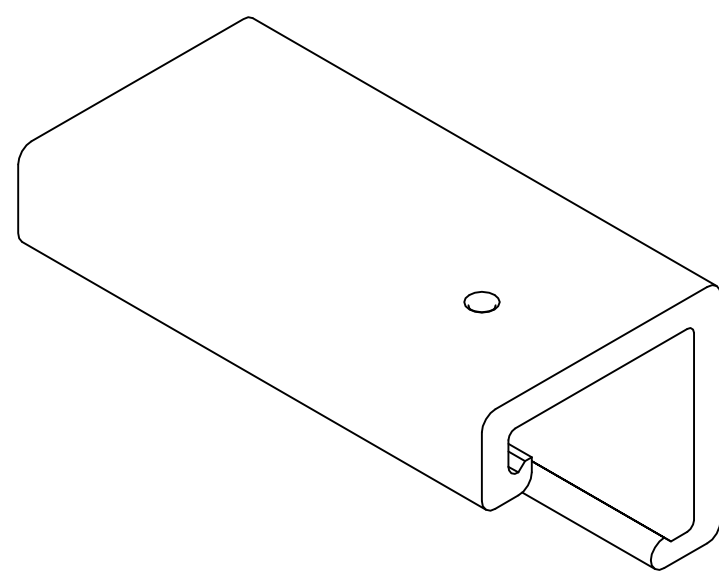
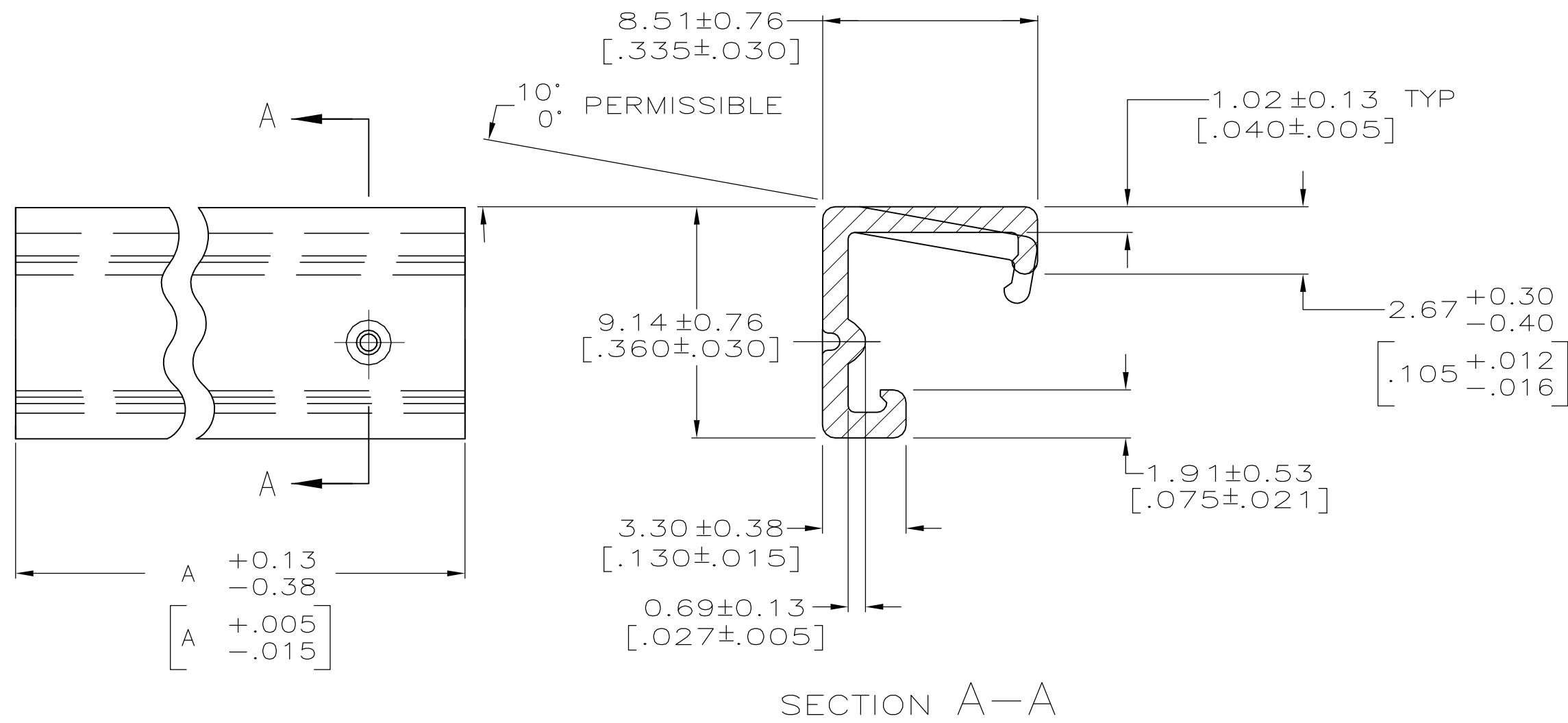
[List all Documents](#)

Product Features (Please use the Product Drawing for all design activity)	
<p>Product Type Features:</p> <ul style="list-style-type: none"> • Accessory Type = Dust Cover • Cover Style = Closed End • Used For = MTA-100 Connectors • Color = White <p>Mechanical Attachment:</p> <ul style="list-style-type: none"> • Panel Mount Retention = Without <p>Body Features:</p> <ul style="list-style-type: none"> • Body Material = Polyester 	<p>Housing Features:</p> <ul style="list-style-type: none"> • UL Flammability Rating = UL 94V-0 <p>Configuration Features:</p> <ul style="list-style-type: none"> • Number of Positions = 2 <p>Industry Standards:</p> <ul style="list-style-type: none"> • RoHS/ELV Compliance = RoHS compliant, ELV compliant • Lead Free Solder Processes = Not relevant for lead free process • RoHS/ELV Compliance History = Always was RoHS compliant <p>Other:</p> <ul style="list-style-type: none"> • Brand = AMP

THIS DRAWING IS UNPUBLISHED. RELEASED FOR PUBLICATION
 © COPYRIGHT - By - ALL RIGHTS RESERVED.

LOC		DIST		REVISIONS			
P	LTR	DESCRIPTION		DATE	DWN	APVD	
CM	54	L2	REVISED PER ECO-11-016260	11AUG11	JR	SM	

1. DIMENSIONS IN BRACKETS ARE IN INCHES.



3-DIMENSIONAL MODEL NTS

28	CIRCUIT ASSY	71.12	[2.800]	2-640550-8	
27	CIRCUIT ASSY	68.58	[2.700]	2-640550-7	
26	CIRCUIT ASSY	66.04	[2.600]	2-640550-6	
25	CIRCUIT ASSY	63.50	[2.500]	2-640550-5	
24	CIRCUIT ASSY	60.96	[2.400]	2-640550-4	
23	CIRCUIT ASSY	58.42	[2.300]	2-640550-3	
22	CIRCUIT ASSY	55.88	[2.200]	2-640550-2	
21	CIRCUIT ASSY	53.34	[2.100]	2-640550-1	
20	CIRCUIT ASSY	50.80	[2.000]	2-640550-0	
19	CIRCUIT ASSY	48.26	[1.900]	1-640550-9	
18	CIRCUIT ASSY	45.72	[1.800]	1-640550-8	
17	CIRCUIT ASSY	43.18	[1.700]	1-640550-7	
16	CIRCUIT ASSY	40.64	[1.600]	1-640550-6	
15	CIRCUIT ASSY	38.10	[1.500]	1-640550-5	
14	CIRCUIT ASSY	35.56	[1.400]	1-640550-4	
13	CIRCUIT ASSY	33.02	[1.300]	1-640550-3	
12	CIRCUIT ASSY	30.48	[1.200]	1-640550-2	
11	CIRCUIT ASSY	27.94	[1.100]	1-640550-1	
10	CIRCUIT ASSY	25.40	[1.000]	1-640550-0	
9	CIRCUIT ASSY	22.86	[.900]	640550-9	
8	CIRCUIT ASSY	20.32	[.800]	640550-8	
7	CIRCUIT ASSY	17.78	[.700]	640550-7	
6	CIRCUIT ASSY	15.24	[.600]	640550-6	
5	CIRCUIT ASSY	12.70	[.500]	640550-5	
4	CIRCUIT ASSY	10.16	[.400]	640550-4	
3	CIRCUIT ASSY	7.62	[.300]	640550-3	
2	CIRCUIT ASSY	5.08	[.200]	640550-2	
USED ON MTA 100 CONNECTOR ASSEMBLY AS LISTED				A	PART NO

THIS DRAWING IS A CONTROLLED DOCUMENT.		DWN	T. BECK	7-10-91		TE Connectivity			
DIMENSIONS: MM[INCHES]		CHK	R. SWING	7-10-91		NAME			
TOLERANCES UNLESS OTHERWISE SPECIFIED:		APVD	T. WERT	7-10-91		COVER, MTA-100			
0 PLC ± -		PRODUCT SPEC	-			RESTRICTED TO			
1 PLC ± -		APPLICATION SPEC	-			SIZE	CAGE CODE	DRAWING NO	REVISION
2 PLC ± -		WEIGHT	-			A2	00779	C=640550	L2
3 PLC ± -		CUSTOMER DRAWING		SCALE	5:1	SHEET	1 of 1	REV	L2
4 PLC ± -									
ANGLES ± -									
FINISH									
MATERIAL		POLYESTER, UL 94V-0 NATURAL							

