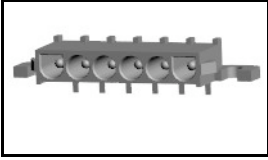


## 640583-1 Product Details

[Share](#) [Print](#) [Email](#)




**640583-1**

TE Internal Number: 640583-1

 Active

[View 3D PDF](#)

**.250" Centerline, 600 V, 19 - 36 A max**

 Always EU RoHS/ELV Compliant  
(Statement of Compliance)

**Product Highlights:**

- Universal MATE-N-LOK Product Line
- Wire-to-Board
- Applies To Printed Circuit Board
- Connector
- Header

[View all Features](#)

**Quick Links**

- ▶ [Pricing & Availability](#)
- ▶ [Search for Tooling](#)
- ▶ [View Mating Products \(1\)](#)
- ▶ [Product Feature Selector](#)
- ▶ [Contact Us About This Product](#)

[Add to My Part List](#)

[Request Sample](#)

[Find Similar Products](#)

[Buy Product](#)

### Documentation & Additional Information

**Product Drawings:**

- [PIN HEADER ASSEMBLY, RIGHT ANGLE MOUNT,6 POSITION, U...](#) (PDF, English)

**Catalog Pages/Data Sheets:**

- [SOFT\\_SHELL\\_PIN\\_SOCKET\\_CONNECTORS\\_STANDARD\\_DENSITY](#) (PDF, English)

**Product Specifications:**

- None Available

**Application Specifications:**

- [Universal MATE-N-LOK Connectors](#) (PDF, English)

**Instruction Sheets:**

- [Universal MATE-N-LOK Connectors](#) (PDF, English)

**CAD Files:** ([CAD Format & Compression Information](#))

- [2D Drawing](#) (DXF, Version J)
- [3D Model](#) (IGES, Version J)
- [3D Model](#) (STEP, Version J)

[List all Documents](#)

**Additional Information:**

- [Product Line Information](#)

**Related Products:**

- [Tooling](#)
- [Mating Products \(1\)](#)

### Product Features (Please use the Product Drawing for all design activity)

**Product Type Features:**

- Product Line = Universal MATE-N-LOK
- Product Type = Connector
- Connector Type = Header
- PCB Mounting Orientation = Right Angle
- PCB Mount Retention = With
- PCB Mount Alignment = Without
- Sealed = No
- PCB Mount Retention Type = Mounting Hole(s)
- CSA File Number = LR 7189

**Mechanical Attachment:**

- Contact Retention = Without
- Mating Retention Type = Positive Lock
- Panel Mount Retention = Without

**Electrical Characteristics:**

**Housing Features:**

- Connector Style = Plug
- Centerline (mm [in]) = 6.35 [0.2499]
- Housing Material = Nylon - GF
- Housing Color = White
- Mating Alignment = With
- Mating Alignment Type = Polarization

**Configuration Features:**

- Number of Positions = 6
- Number of Rows = 1
- Strain Relief = Without

**Industry Standards:**

- Agency/Standard = UL, CSA
- UL Flammability Rating = UL 94V-0
- [RoHS/ELV Compliance](#) = RoHS compliant, ELV

- Contact - Rated Current (A) = 19
- Operating Voltage Reference = AC
- Operating Voltage (VAC) = 600

**Termination Features:**

- Termination Method to Wire/Cable = Solder
- Termination Method to PC Board = Through Hole - Solder

**Dimensions:**

- Tail Length (mm [in]) = 4.06 [0.16]
- PCB Thickness, Recommended (mm [in]) = 1.57 [0.062]

**Body Features:**

- Mating Retention = With
- Assembly Integration Feature = Without

**Contact Features:**

- Contact Type = Pin
- Contact Style = Right-Angle
- Contact Layout = In-Line
- Contact Base Material = Phosphor Bronze
- Contact Plating, Mating Area, Material = Tin
- Tail Plating Material = Tin
- Multiple Contact Types = Without

compliant

- [Lead Free Solder Processes](#) = Wave solder capable to 240°C, Wave solder capable to 260°C, Wave solder capable to 265°C
- RoHS/ELV Compliance History = Always was RoHS compliant
- VDE Tested = Yes
- UL Rating = Recognized
- UL File Number = E28476
- CSA Rating = Certified

**Environmental:**

- Operating Temperature (°C [°F]) = -55 - +105 [-67 - +221]

**Conditions for Usage:**

- Applies To = Printed Circuit Board
- Glow Wire Rating = Standard Part - Not Glow Wire
- For Use With = Universal MATE-N-LOK Plug Housing

**Operation/Application:**

- Application Use = Wire-to-Board

**Packaging Features:**

- Packaging Method = Box/Carton
- Packaging Quantity = 140

**Other:**

- Brand = AMP

**Corporate Information**

- [About TE](#)
- [Investors](#)
- [News Room](#)
- [Supplier Portal](#)
- [Careers](#)
- [Terms & Conditions](#)
- [Privacy Policy](#)
- [AODA Accessibility Policy](#)
- [AODA Multi-Year Accessibility Plan](#)

**Quick Links**

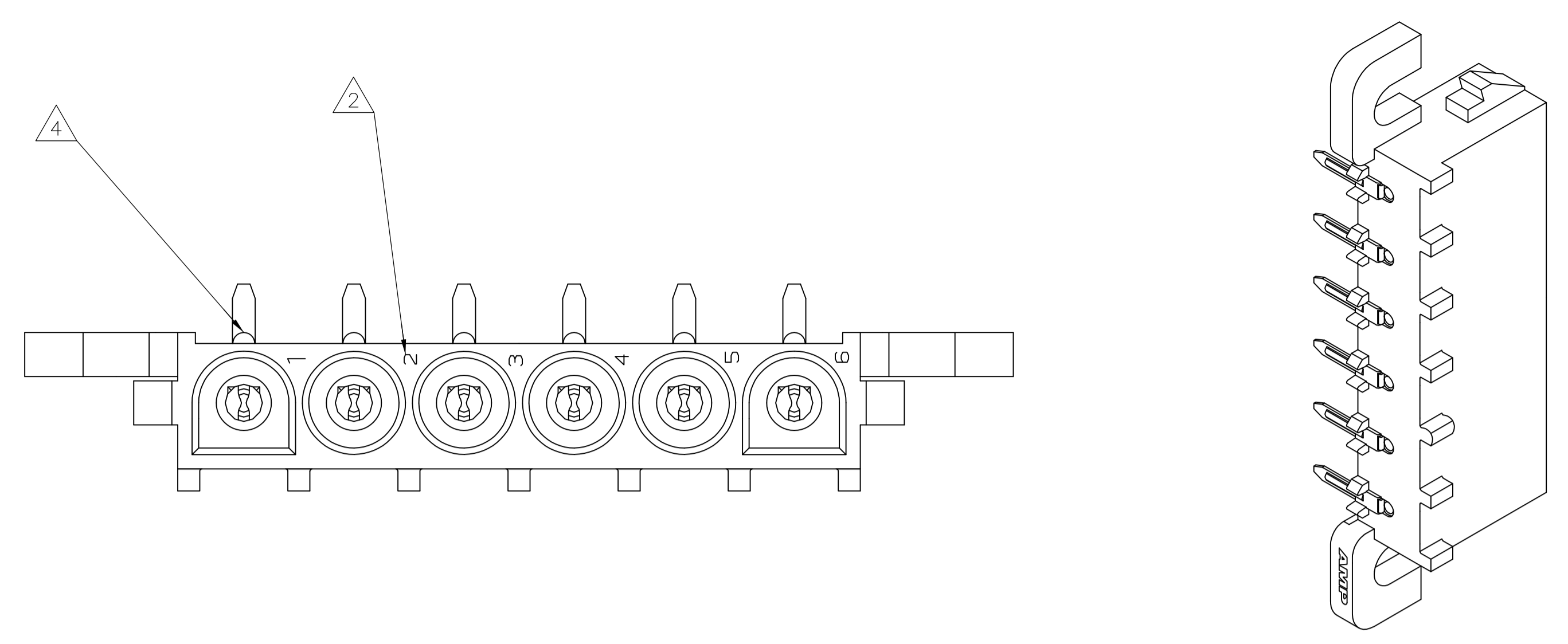
- [Distributor Inventory](#)
- [Product Cross Reference](#)
- [Documents & Drawings](#)
- [Product Compliance Support Center](#)
- [Site Map](#)

**Customer Support**

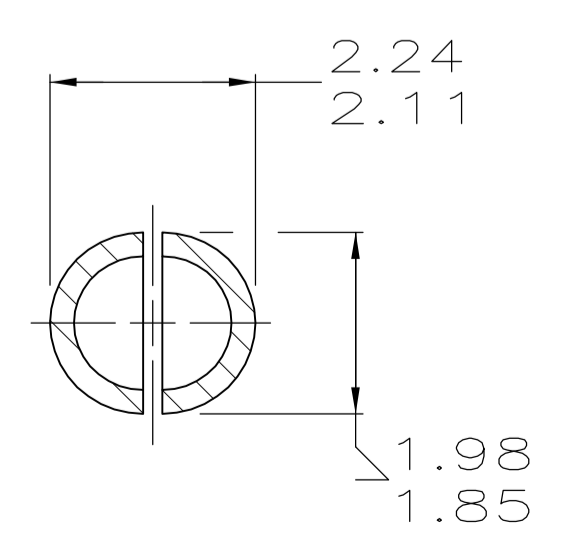
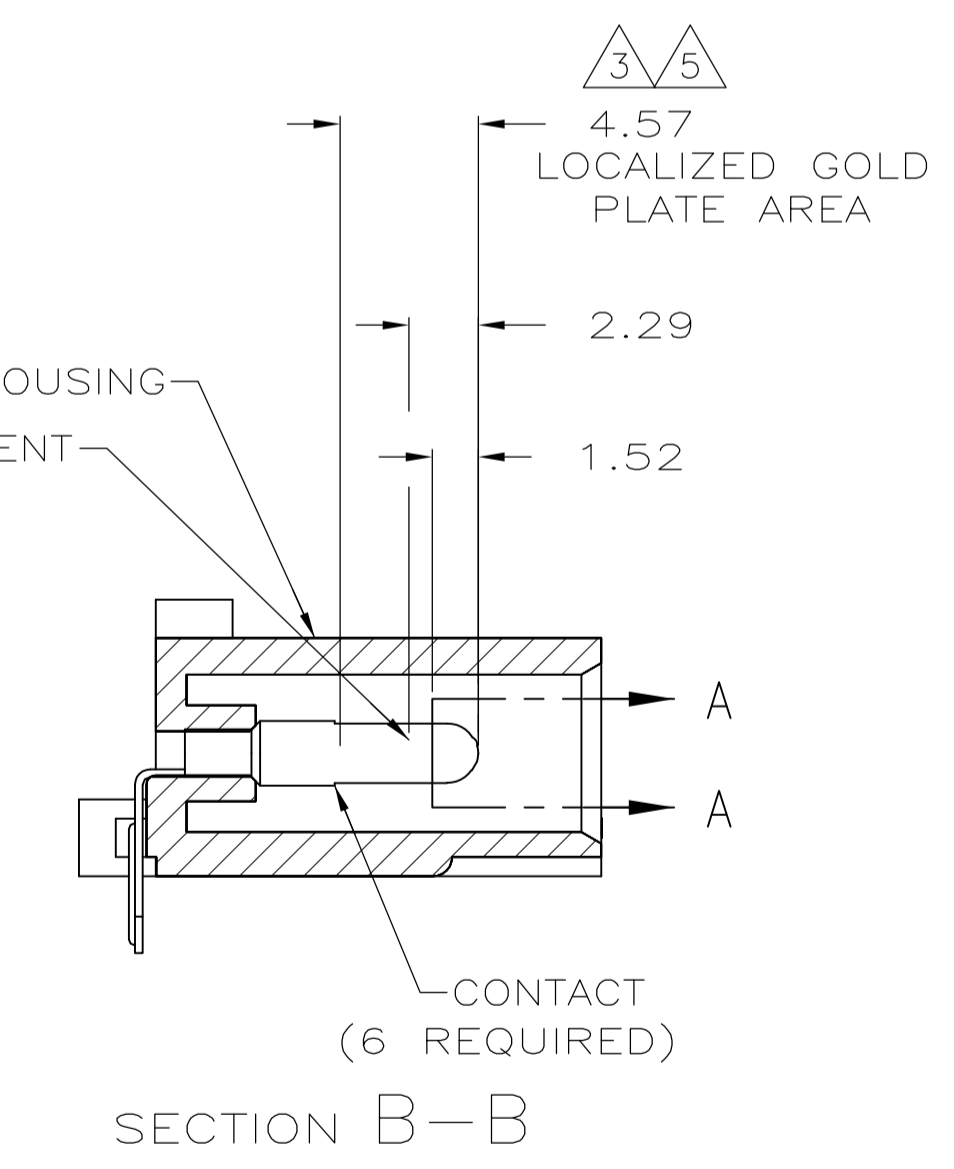
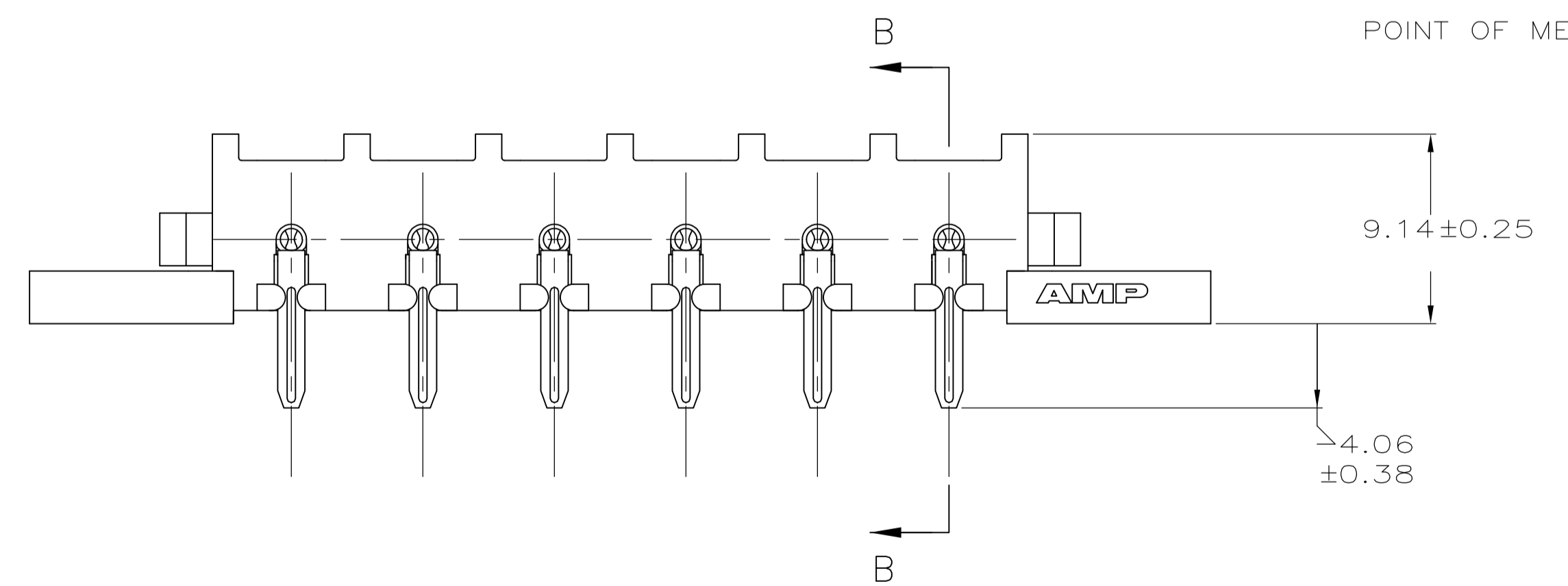
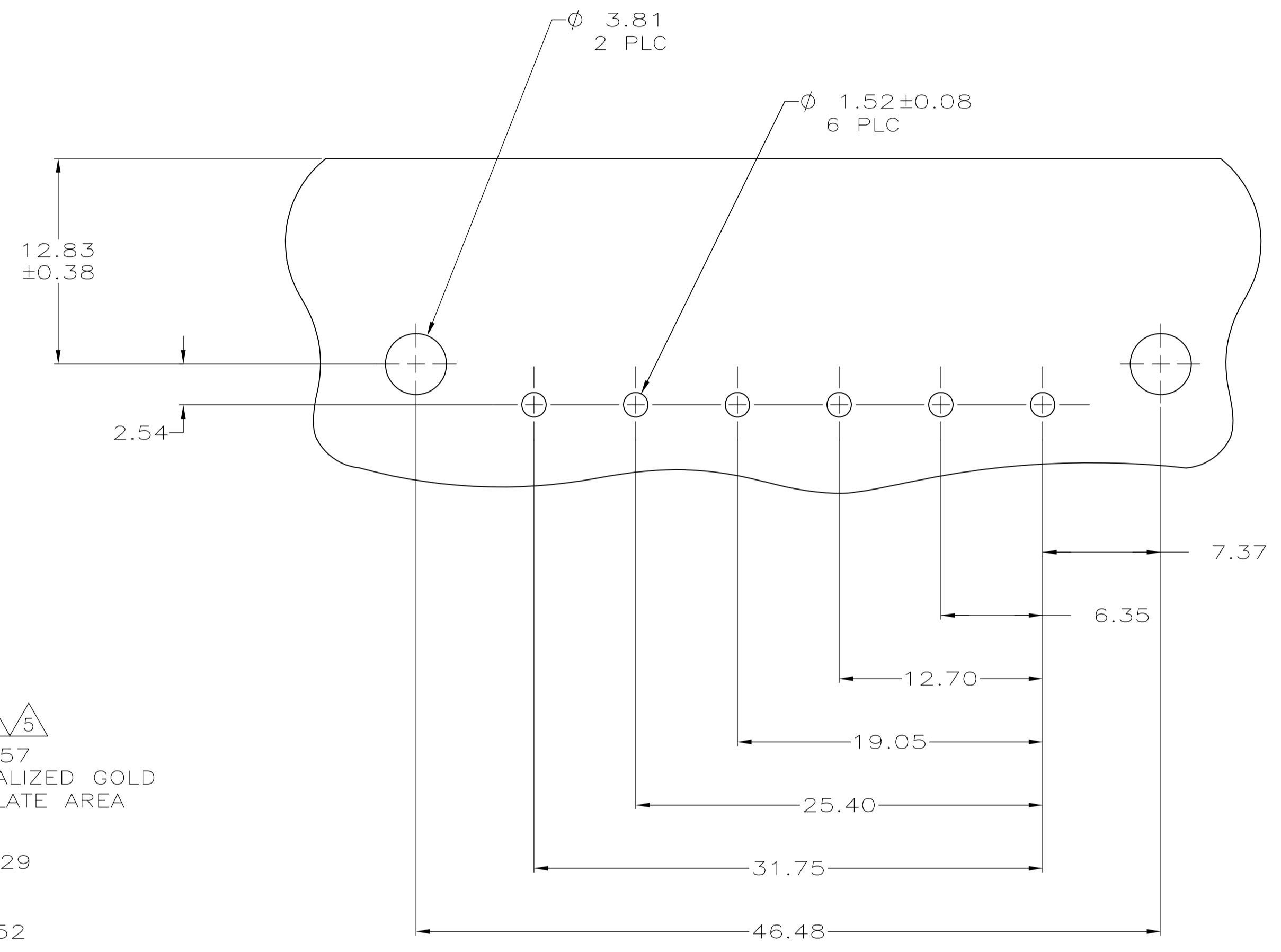
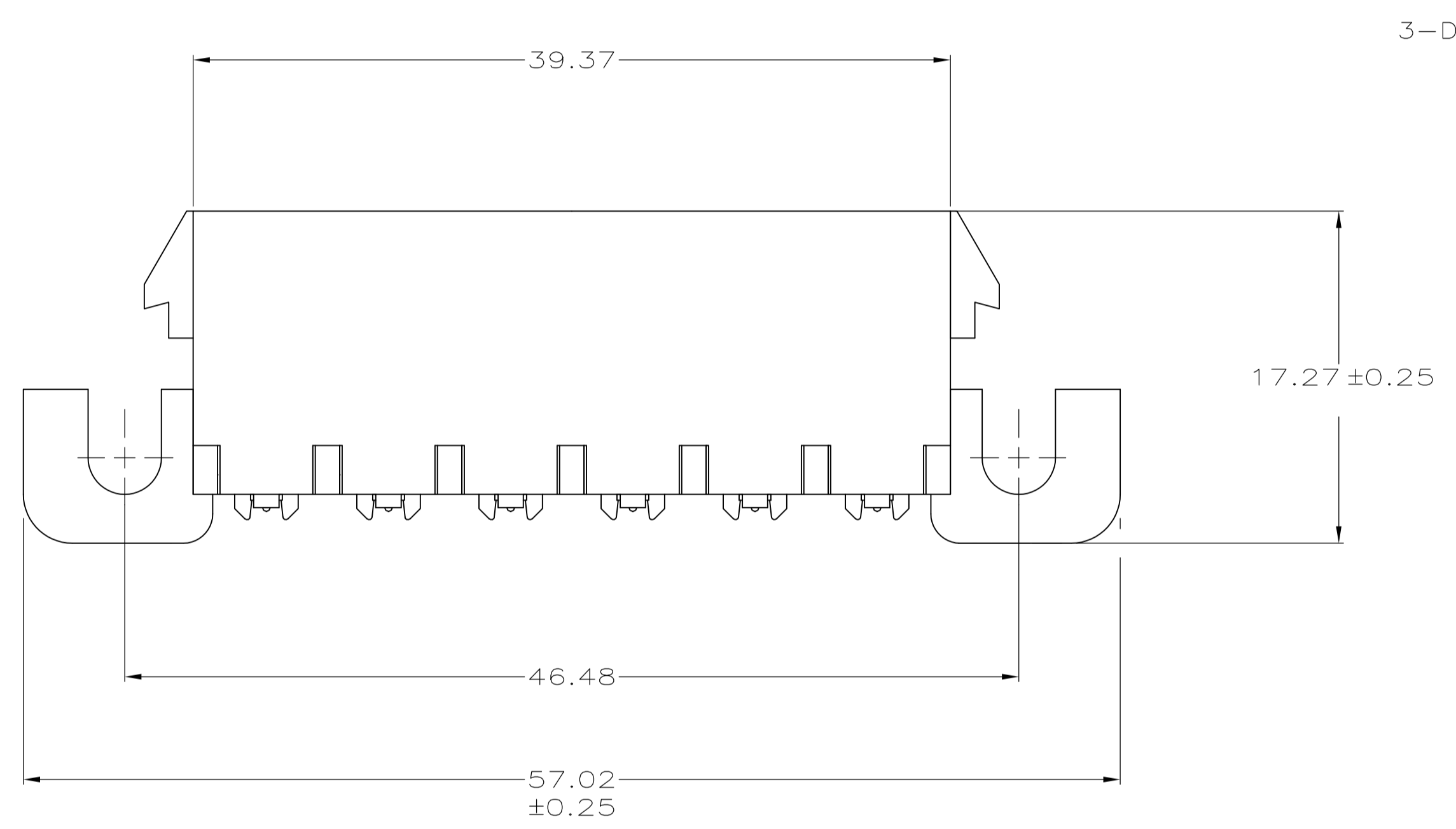
- [Email or Chat With Us](#)
- [Find a Phone Number](#)
- [Knowledge Base](#)
- [Manage Your Account](#)

**Keep Me Informed**





- 1 PARTS COMPLY WITH AMP SOLDERABILITY SPECIFICATION 109-11-5.
- 2 CIRCUIT IDENTIFICATION CHARACTERS ARE ADJACENT TO THE INDICATED CAVITIES, BUT LOCATION AND ORIENTATION MAY DIFFER FROM PRINT.
- 3 CONTACT IS PLATED OVERALL WITH 0.00127 MIN NICKEL, THEN 0.00076 GOLD OVER CONTACT LENGTH INDICATED AND MATTE TIN LEAD FINISH ON SOLDER TAIL END.
- 4 OPTIONAL CONSTRUCTION MAY DELETE THIS RIB.
- 5 CONTACT IS PLATED OVERALL WITH 0.00127 MIN NICKEL, THEN 0.00076 GOLD OVER CONTACT LENGTH INDICATED AND MATTE TIN FINISH ON SOLDER TAIL END.
- 6 SUPERSEDED BY 640583-3



SECTION A-A  
SCALE 10:1

1.98	.078	9.14	.360	-	-
1.85	.073	7.37	.290	57.02	2.245
1.57	.062	6.35	.250	46.48	1.830
1.52	.060	4.57	.180	39.37	1.550
0.38	.015	4.06	.160	31.75	1.250
0.25	.010	3.81	.150	25.40	1.000
0.13	.005	2.54	.100	19.05	.750
0.08	.003	2.29	.090	17.27	.680
0.00127	0.000050	2.24	.088	12.83	.505
0.00076	0.000030	2.11	.083	12.70	.500
MM	IN	MM	IN	MM	IN

CONVERSION TABLE

RECOMMENDED MOUNTING HOLE PATTERN FOR 1.57 THICK P.C. BOARD

PH BRZ GOLD	5	NYLON, UL94V-0	640583-3
PH BRZ GOLD	3	NYLON, UL94V-0	640583-2
PH BRZ TIN		NYLON, UL94V-0	640583-1
CONTACT		HOUSING	PART NO

THIS DRAWING IS A CONTROLLED DOCUMENT.

DIMENSIONS: mm	TOLERANCES UNLESS OTHERWISE SPECIFIED:	DWG: K. WHITAKER 22FEB2005	CHK: S. RIDGILL 22FEB2005	NAME: S. RIDGILL 22FEB2005
0 PLC ± -	1 PLC ± -	2 PLC ± 0.13	3 PLC ± -	4 PLC ± -
ANGLES ± -				
MATERIAL: SEE TABLE	FINISH: SEE TABLE	WEIGHT: -	SIZE: A1	SCALE: 4:1
CUSTOMER DRAWING		DATE: 00779	REV: 1	SHEET: 1 OF 1

STE TE Connectivity  
PIN HEADER ASSEMBLY, RIGHT ANGLE MOUNT, 6 POSITION, UNIVERSAL MATE-N-LOK™