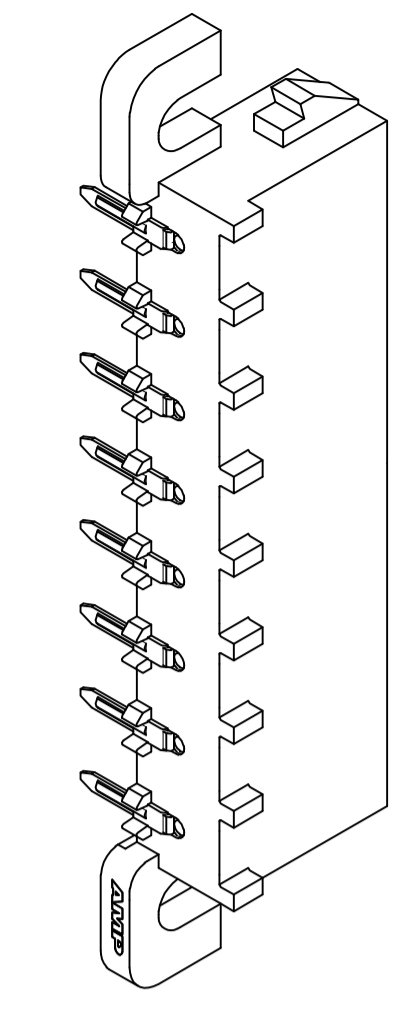
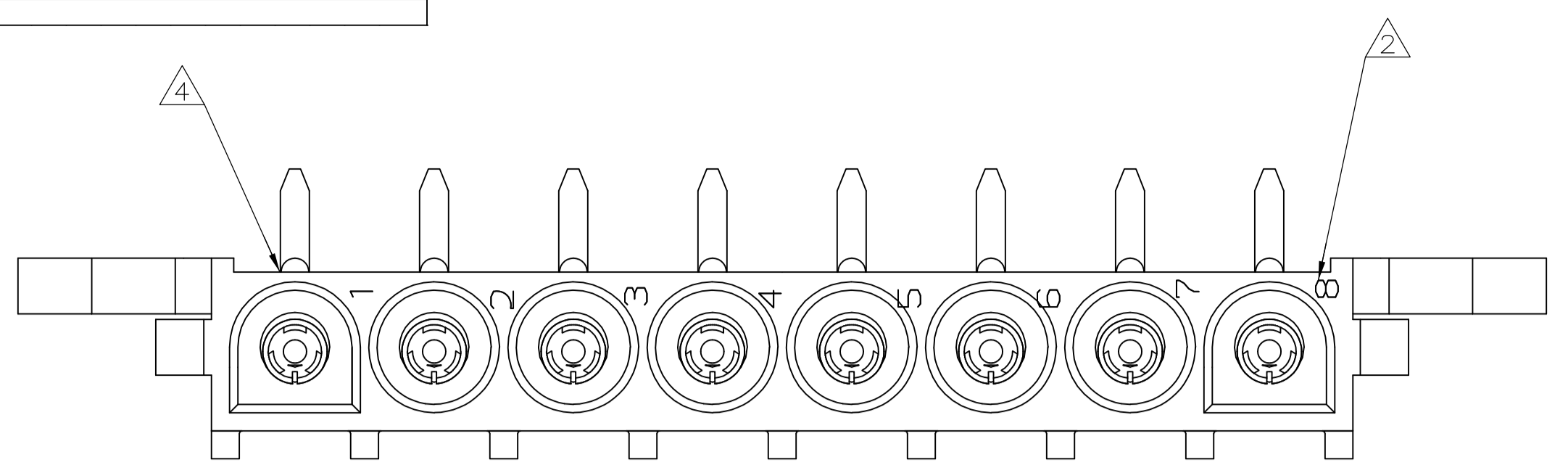
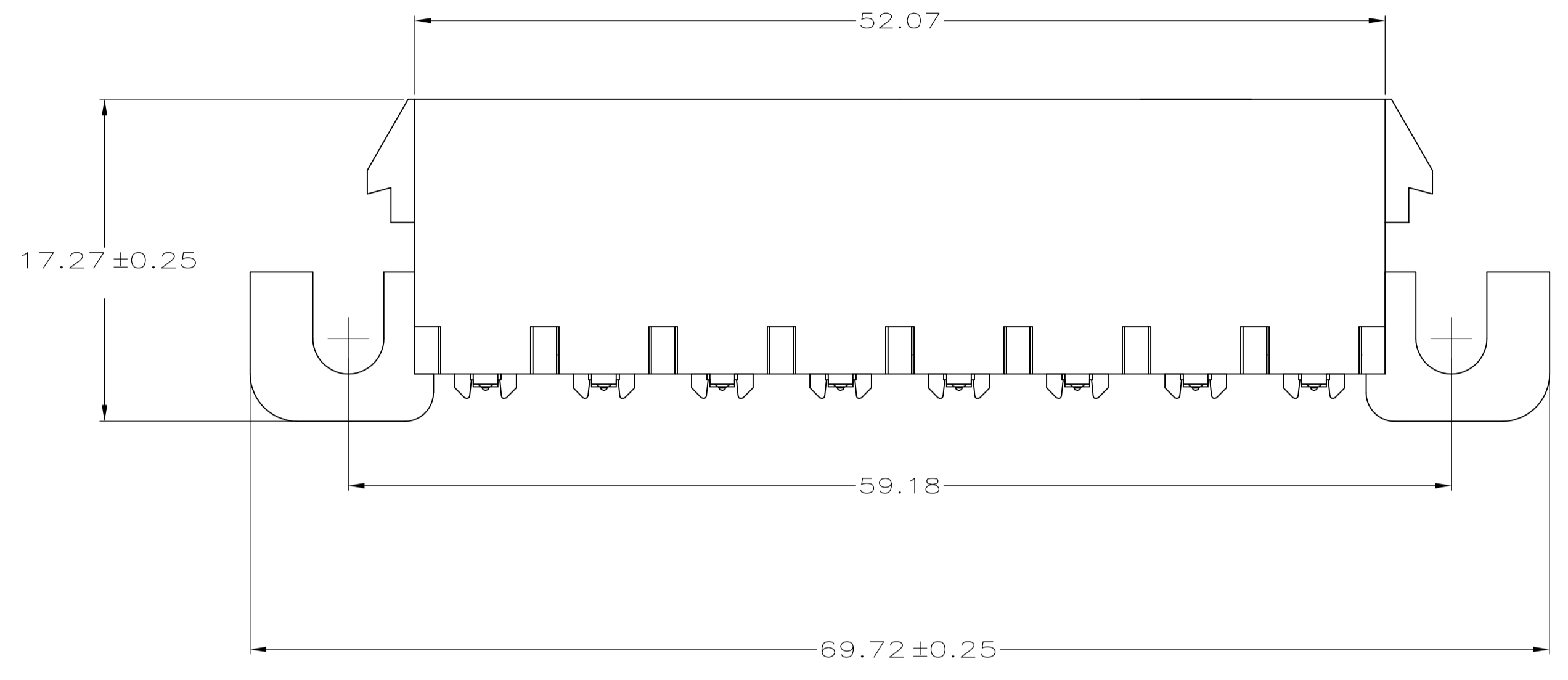


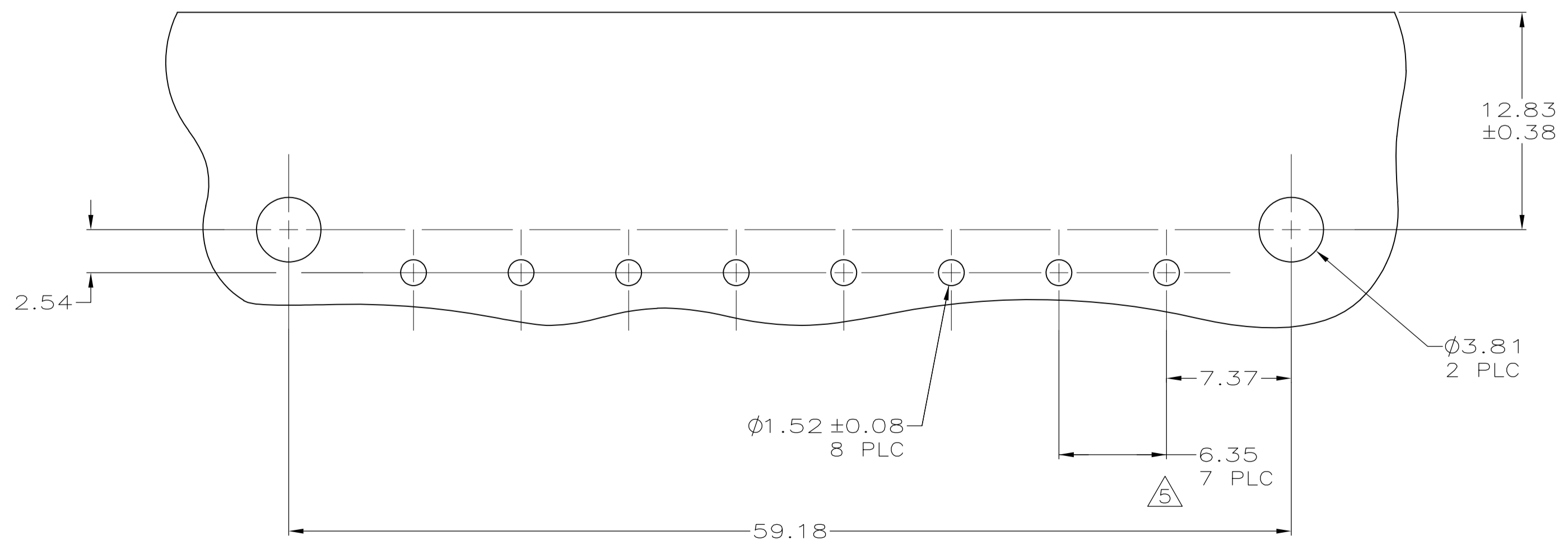
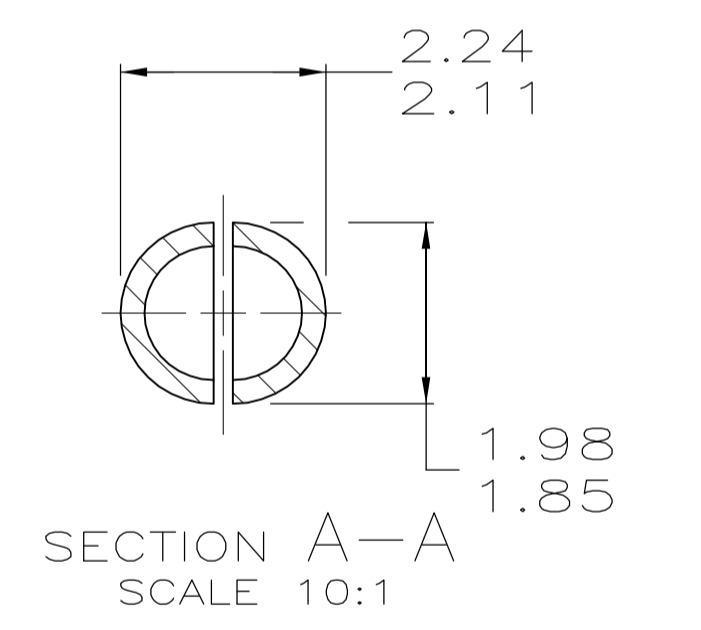
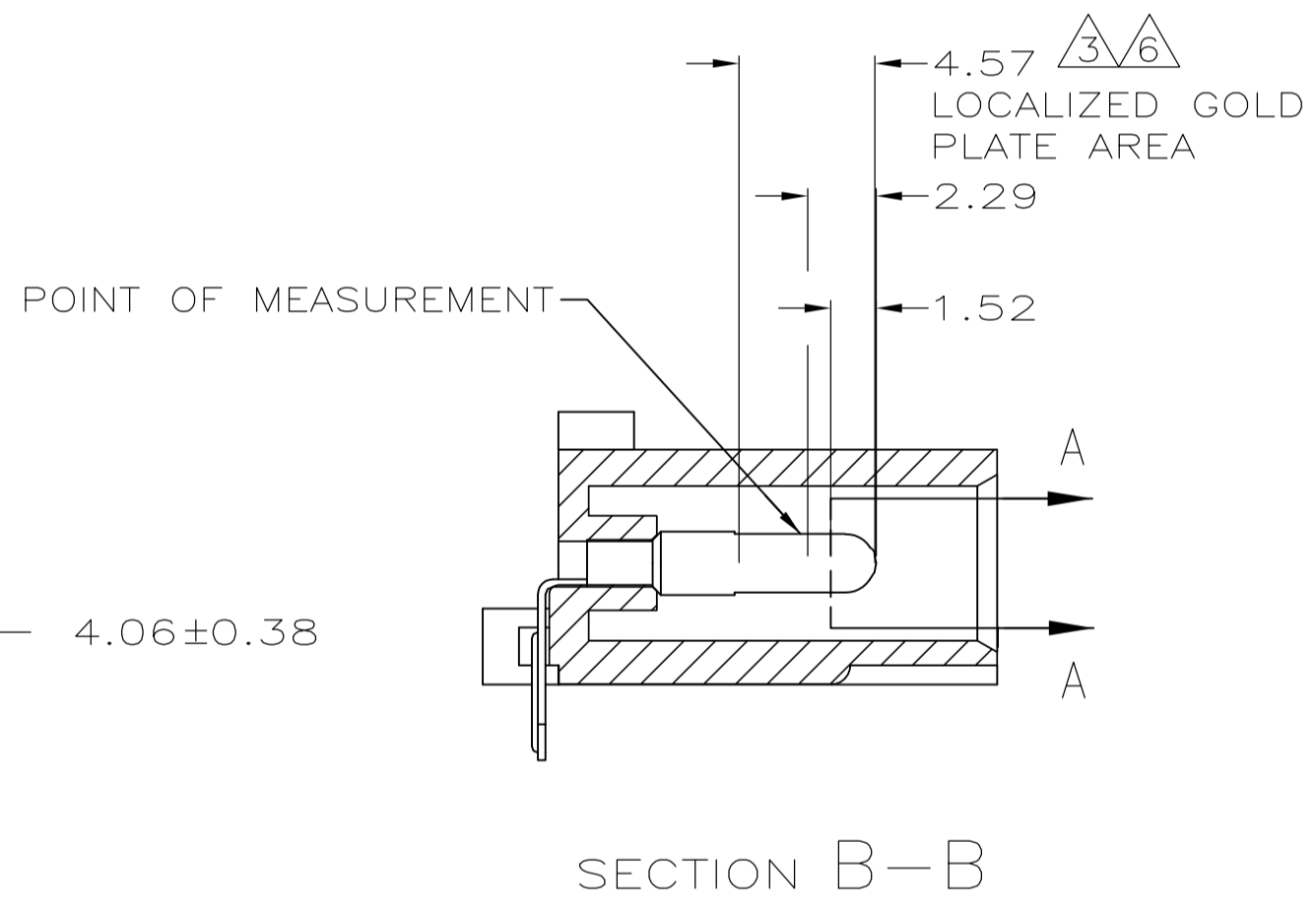
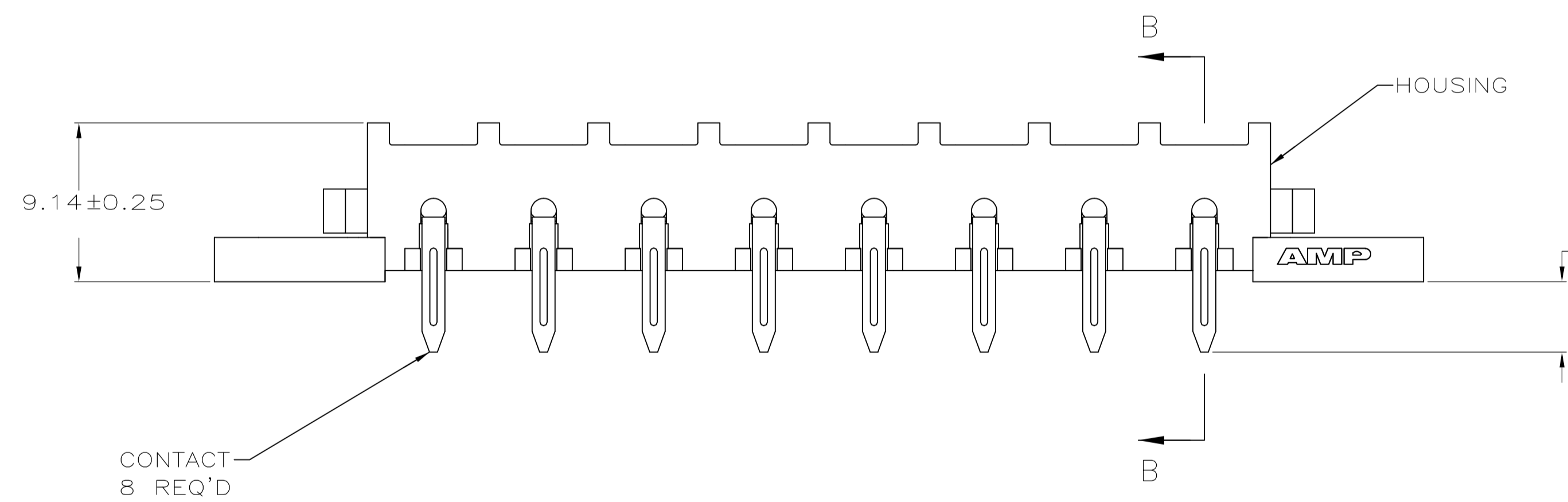
LOC		DIST		REVISIONS			
CM	00	REV	DATE	DESCRIPTION	DATE	DWN	APVD
		J1	11MAR11	REVISED PER ECO-11-005027		RK	HMR



- PARTS COMPLY WITH AMP SOLDERABILITY SPECIFICATION 109-11-5.
- CIRCUIT IDENTIFICATION CHARACTERS ARE ADJACENT TO THE INDICATED CAVITIES, BUT LOCATION AND ORIENTATION MAY DIFFER FROM PRINT.
- CONTACT IS PLATED OVERALL WITH 0.00127 MIN NICKEL, THEN 0.00076 GOLD OVER CONTACT LENGTH INDICATED AND MATTE TIN LEAD FINISH ON SOLDER TAIL END.
- OPTIONAL CONSTRUCTION MAY DELETE THIS RIB.
- TOLERANCE NON-CUMLATIVE
- CONTACT IS PLATED OVERALL WITH 0.00127 MIN NICKEL, THEN 0.00076 GOLD OVER CONTACT LENGTH INDICATED AND MATTE TIN FINISH ON SOLDER TAIL END.

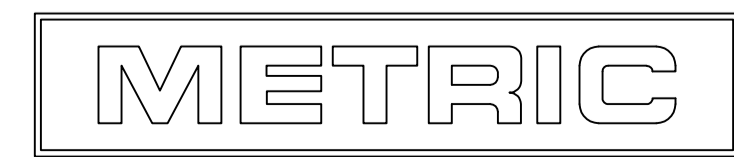


3-DIMENSIONAL MODEL NTS



2.29	.090	-	-
2.24	.088	69.72	2.745
2.11	.083	59.18	2.330
1.98	.078	52.07	2.050
1.85	.073	17.27	.680
1.57	.062	12.83	.505
1.52	.060	9.14	.360
0.38	.015	7.37	.290
0.25	.010	6.35	.250
0.13	.005	4.57	.180
0.08	.003	4.06	.160
0.00127	0.000050	3.81	.150
0.00076	0.000030	2.54	.100
MM	IN	MM	IN

RECOMMENDED MOUNTING HOLE PATTERN FOR 1.57 THICK P.C. BOARD



PH BRZ GOLD $\Delta 6$	NYLON, UL94V-0	640584-3
PH BRZ GOLD $\Delta 3$	NYLON, UL94V-0	640584-2
PH BRZ TIN	NYLON, UL94V-0	640584-1
CONTACT	HOUSING	PART NO

THIS DRAWING IS A CONTROLLED DOCUMENT.

DIMENSIONS: mm	TOLERANCES UNLESS OTHERWISE SPECIFIED:	DWN: K. WHITAKER 22FEB2005	TE Connectivity
	0 PLC ± -	CHK: S. RIDGILL 22FEB2005	NAME: PIN HEADER ASSEMBLY, RIGHT ANGLE MOUNT, 8 POSITION, UNIVERSAL MATE-N-LOK™
MATERIAL: SEE TABLE	FINISH: SEE TABLE	APVD: S. RIDGILL 22FEB2005	SIZE: A1
		APPLICATION SPEC: -	SCALE: 4:1
		WEIGHT: -	SHEET 1 OF 1
		CUSTOMER DRAWING	REV J1