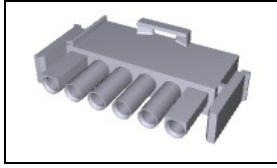


640585-1 Product Details



640585-1

TE Internal Number: 640585-1



.250" Centerline, 600 V, 19 - 36 A max



Product Highlights:

- Universal MATE-N-LOK Product Line
- Wire-to-Wire
- Applies To Wire/Cable
- Connector
- Housing

Documentation & Additional Information

Product Drawings:

- [PLUG, 6 CIRCUIT, UNIVERSAL MATE-N-LOK \(PDF, English\)](#)

Catalog Pages/Data Sheets:

- [SOFT_SHELL_PIN_SOCKET_CONNECTORS_STANDARD_DENSITY \(PDF, English\)](#)

Product Specifications:

- None Available

Application Specifications:

- [Universal MATE-N-LOK Connectors \(PDF, English\)](#)

Instruction Sheets:

- [Universal, Commercial, and .140 MATE-N-LOK Contact ... \(PDF, English\)](#)
- [Universal MATE-N-LOK Connectors \(PDF, English\)](#)

CAD Files: (CAD Format & Compression Information)

- [2D Drawing \(DXF, Version T\)](#)
- [3D Model \(IGES, Version T\)](#)
- [3D Model \(STEP, Version T\)](#)

Additional Information:

- [Product Line Information](#)

Related Products:

- [Tooling](#)
- [Mating Products \(5\)](#)
- [Contacts \(166\)](#)

Product Features (Please use the Product Drawing for all design activity)

Product Type Features:

- Product Line = Universal MATE-N-LOK
- Product Type = Connector
- Connector Type = Housing
- Strain Relief = With
- Sealed = No
- UL File Number = E28476
- CSA File Number = LR 7189

Mechanical Attachment:

- Contact Retention = Without
- Mating Retention Type = Positive Lock
- Panel Mount Retention = Without

Electrical Characteristics:

- Operating Voltage Reference = AC/DC
- Operating Voltage (VAC) = 600
- Operating Voltage (VDC) = 600

Body Features:

- Mating Retention = With
- Assembly Integration Feature = Without

Contact Features:

- Contact Type = Pin or Socket
- Contact Layout = In-Line
- Multiple Contact Types = Without

Housing Features:

- Connector Style = Plug
- Centerline (mm [in]) = 6.35 [0.2499]
- Housing Material = Nylon
- Housing Color = Natural
- UL Flammability Rating = UL 94V-2
- Mating Alignment = With

Configuration Features:

- Number of Positions = 6
- Number of Rows = 1

Industry Standards:

- Agency/Standard = CSA, UL
- [RoHS/ELV Compliance](#) = RoHS compliant, ELV compliant
- [Lead Free Solder Processes](#) = Not relevant for lead free process
- RoHS/ELV Compliance History = Always was RoHS compliant
- VDE Tested = Yes
- UL Rating = Recognized
- CSA Rating = Certified

Environmental:

- Operating Temperature (°C [°F]) = -55 - +125 [-67 - +257]

Conditions for Usage:

- Applies To = Wire/Cable
- Glow Wire Rating = Standard Part - Not Glow Wire
- For Use With = Appropriate Universal MATE-N-LOK Cap or Header

Operation/Application:

- Application Use = Wire-to-Wire

Packaging Features:

- Packaging Method = Package
- Packaging Quantity = 1

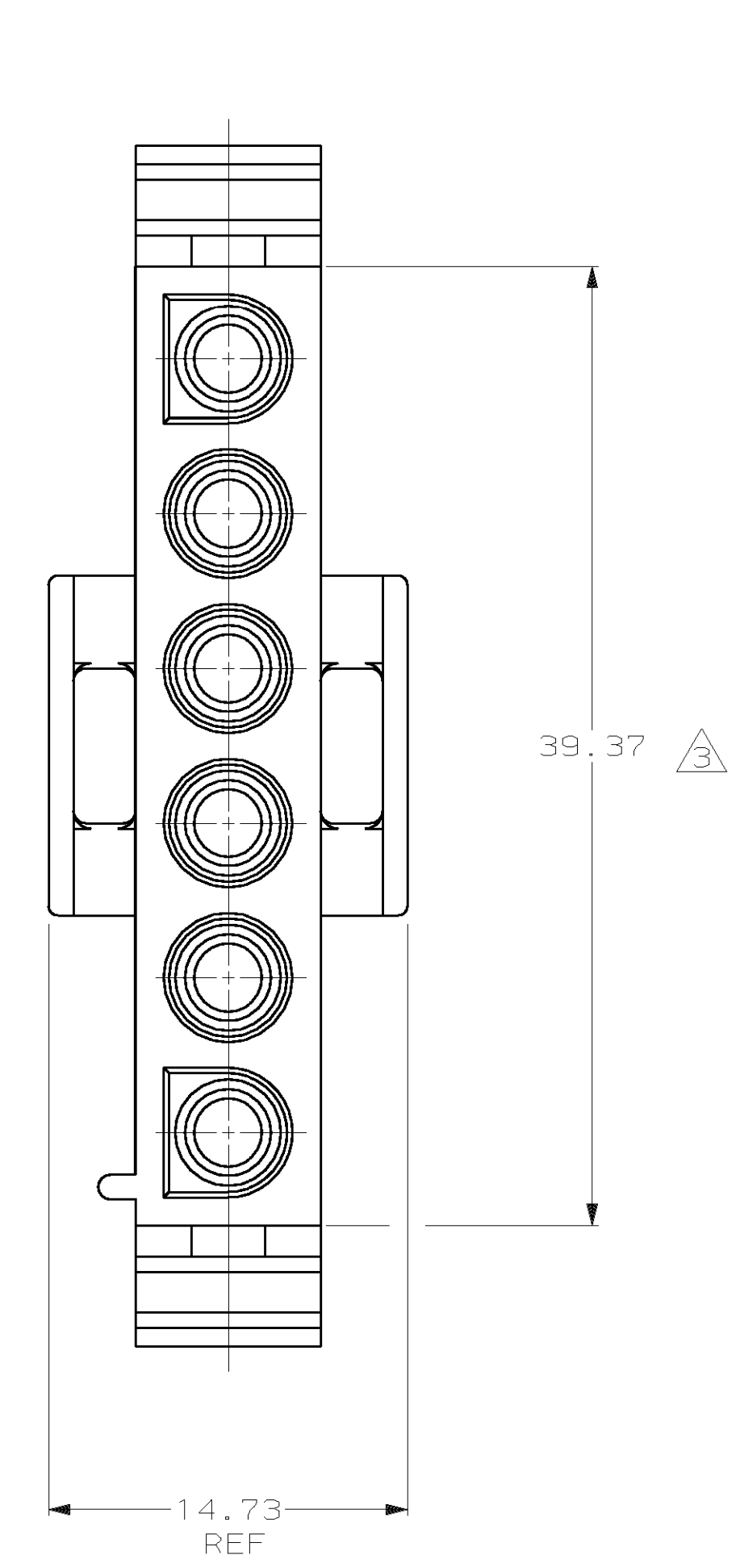
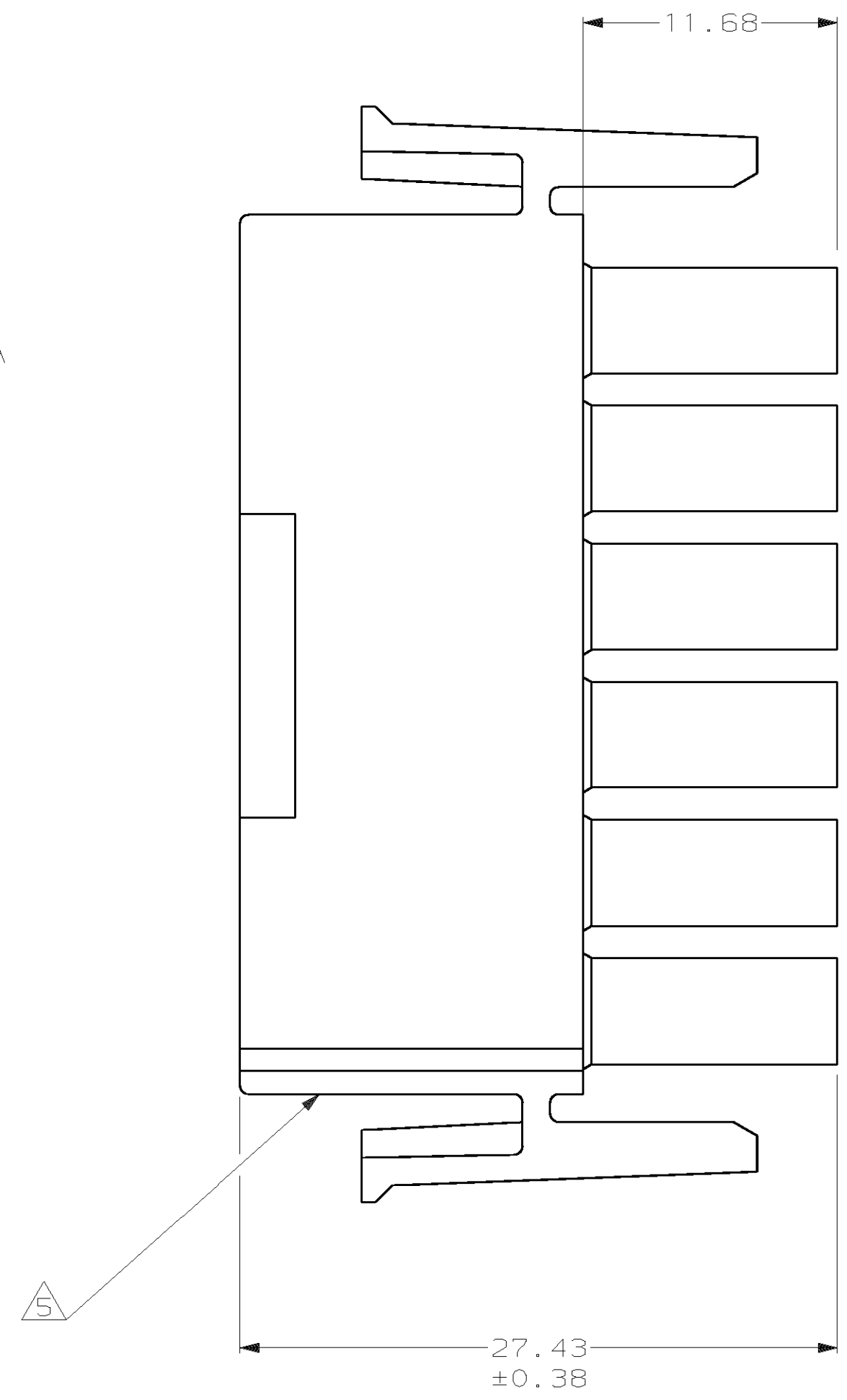
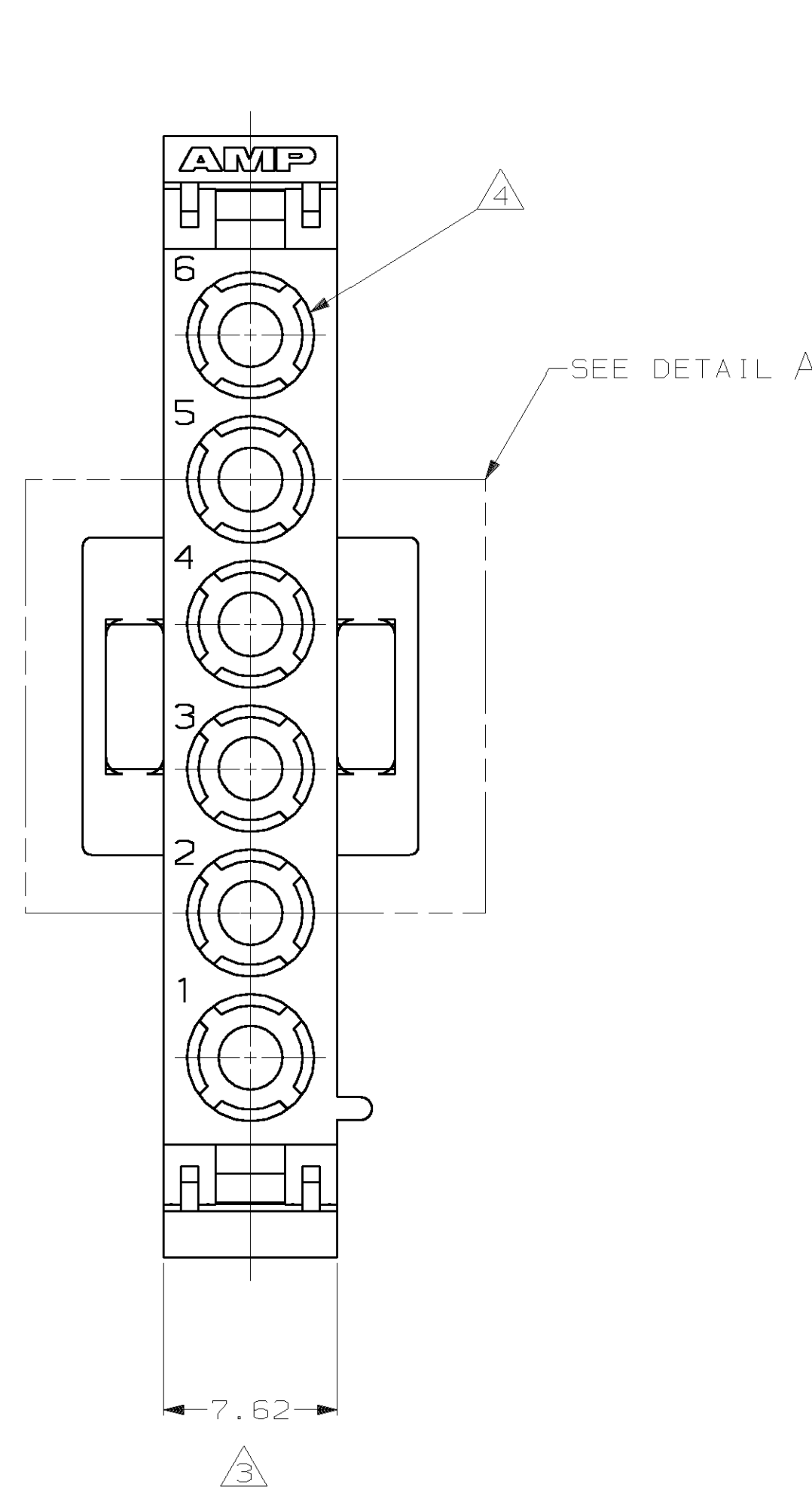
Other:

- Brand = AMP

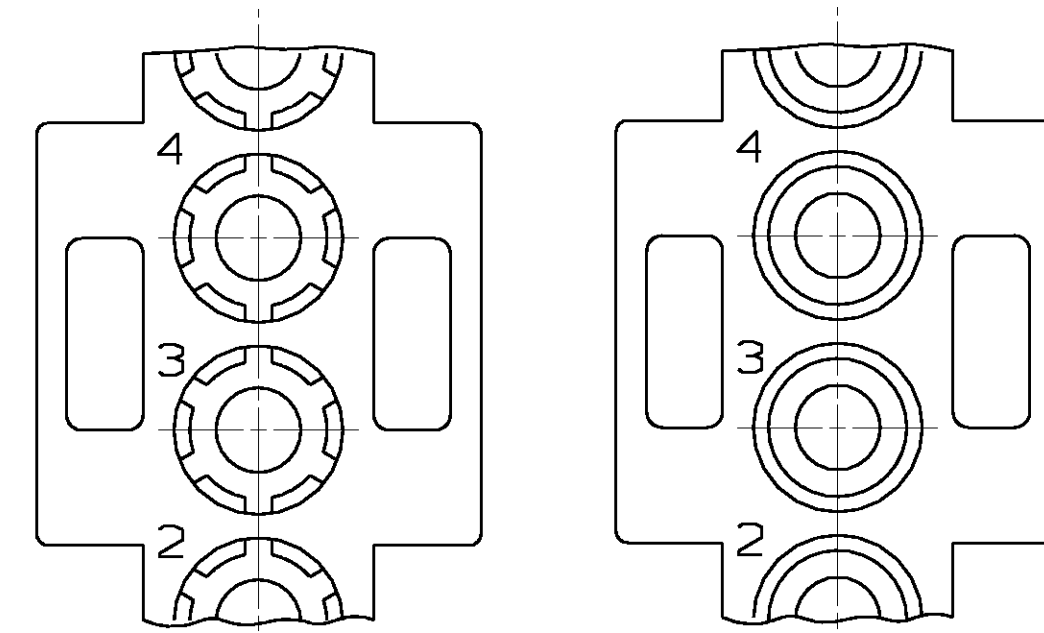
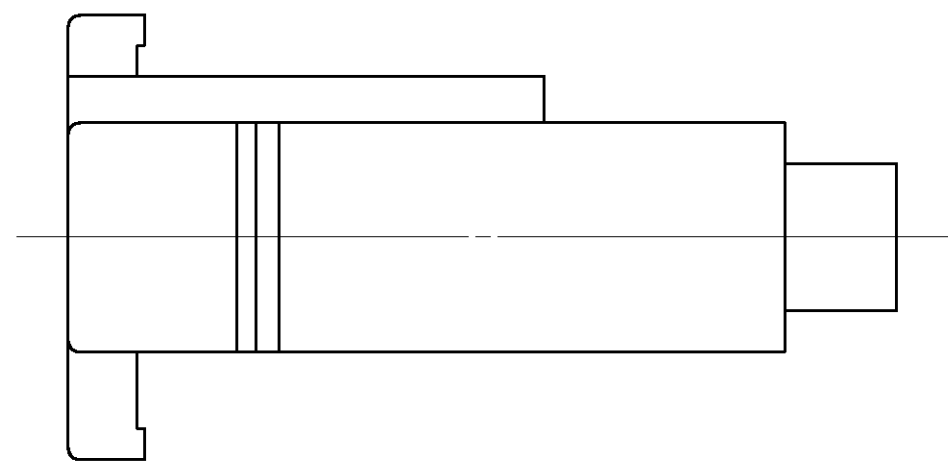
- Mating Alignment = Polarization

- Mating Alignment Type = Polarization

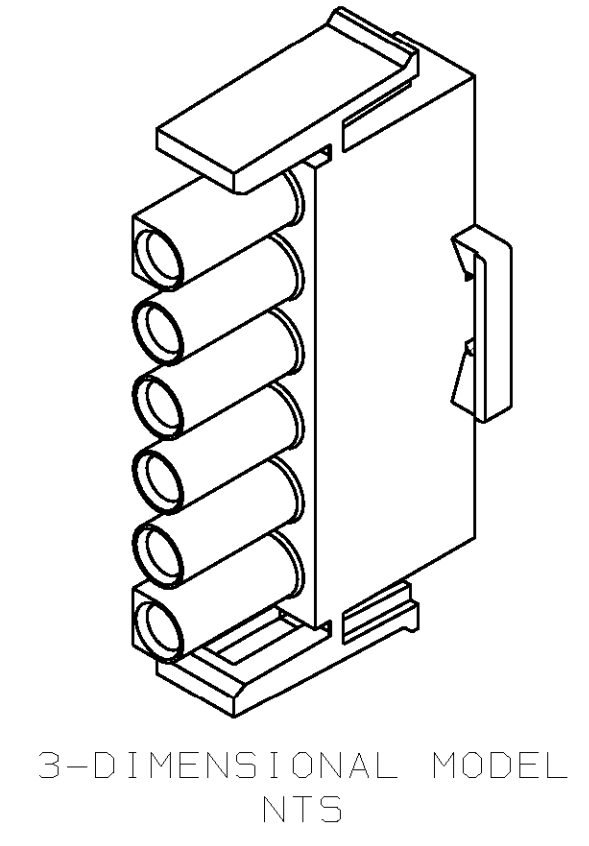
LOC		DIST		REVISED PER		DESCRIPTION		DATE	APPD
CM	00	P	F	ZONE	LTR				
						T	REVISED PER EC 063B-0333-00	14-JUL-00	LM KC



- MATES WITH APPROPRIATE UNIVERSAL MATE-N-LOK™ CAP OR HEADER.
 - SMALL NICKS ARE PERMITTED ON THE CIRCUIT TOWERS WHICH COULD INCREASE THE INITIAL HOUSING MATING FORCE BY UP TO 4.4 NEWTONS [1.0 LBS]. NO INDIVIDUAL NICKED TOWER SHALL INCREASE THIS FORCE BY OVER 2.2 NEWTONS [0.5 LBS].
- 3 DIMENSION INDICATED IS AS MOLDED. ADDITIONAL GROWTH DUE TO SUBSEQUENT MOISTURE ABSORPTION MAY OCCUR.
 4 FOUR RIBS EQUALLY SPACED, NO SPECIFIC ORIENTATION. NO RIBS OR SIX RIBS EQUALLY SPACED, NO SPECIFIC ORIENTATION, OPTIONAL.
 5 UNDERWRITERS RECOGNIZED COMPONENT LOGO AND CSA CERTIFICATION LOGO TO BE LOCATED ONCE EACH ON SIDE OF HOUSING.

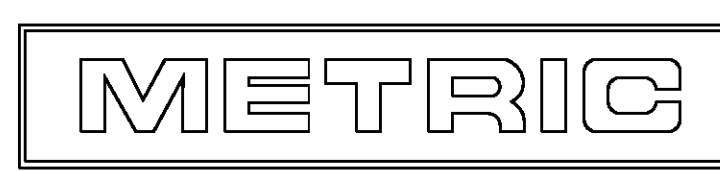


DETAIL A
 OPTIONAL CONSTRUCTIONS



MM	IN
39.37	1.550
27.43	1.080
14.73	.580
11.68	.460
7.62	.300
0.38	.015
0.13	.005
MM	IN

CONVERSION TABLE



DO NOT SCALE PRINT. UNLESS SPECIFIED DIMENSIONS IN mm [INCHES] TOLERANCES ON: 2 PLC DEC ± 0.13 3 PLC DEC ± . ANGES ± 0°30'		DR 2-27-92 K. WHITAKER	AMP AMP Incorporated Harrisburg, PA 17105-3508		
CHK 2-27-92 R. SWING	APPD 3-5-92 D. SELF	NAME PLUG, 6 CIRCUIT, UNIVERSAL MATE-N-LOK™			
MATERIAL NYLON, UL 94V-2 NATURAL	APPD 3-5-92 D. SELF	PRODUCT SPEC	DRAWING NO 640585		
FINISH	APPLICATION SPEC	SCALE	CAGE CODE 00779	SHEET 1 OF 1	
WEIGHT				CUSTOMER DRAWING	