

640714-1 Product Details

[Share](#) [Print](#) [Email](#)




640714-1

TE Internal Number: 640714-1

 Active

[View 3D PDF](#)

Soft Shell - Accessories

 Always EU RoHS/ELV Compliant
(Statement of Compliance)

Product Highlights:

- Accessory Type = Strain Relief
- Universal MATE-N-LOK
- Nylon Housing Material
- Color = White
- Number of Circuits = 3

[View all Features](#)

Quick Links

- ▶ [Pricing & Availability](#)
- ▶ [Search for Tooling](#)
- ▶ [Product Feature Selector](#)
- ▶ [Contact Us About This Product](#)

[Add to My Part List](#)

[Request Sample](#)

[Find Similar Products](#)

[Buy Product](#)

Documentation & Additional Information

Product Drawings:

- [STRAIN-RELIEF, UNIVERSAL MATE-N-LOK\(TM\) 3 CIRCUIT](#) (PDF, English)

Catalog Pages/Data Sheets:

- [SOFT_SHELL_PIN_SOCKET_CONNECTORS_STANDARD_DENSITY](#) (PDF, English)

Product Specifications:

- None Available

Application Specifications:

- None Available

Instruction Sheets:

- [Universal MATE-N-LOK Connectors](#) (PDF, English)

CAD Files: (CAD Format & Compression Information)

- [2D Drawing](#) (DXF, Version C1)
- [3D Model](#) (IGES, Version C1)
- [3D Model](#) (STEP, Version C1)

[List all Documents](#)

Related Products:

- [Tooling](#)

Product Features (Please use the Product Drawing for all design activity)

Product Type Features:

- Accessory Type = Strain Relief
- Connector Line = Universal MATE-N-LOK
- Color = White

Body Features:

- Insert Supplied = Yes
- Wire Diameter Range (mm [in]) = 1.02 - 4.83 [0.040 - 0.190]

Contact Features:

- Contact Layout = In-Line

Housing Features:

- Housing Material = Nylon
- UL Flammability Rating = UL 94V-0

Configuration Features:

- Number of Circuits = 3

Industry Standards:

- RoHS/ELV Compliance = RoHS compliant, ELV compliant
- Lead Free Solder Processes = Not relevant for lead free process
- RoHS/ELV Compliance History = Always was RoHS compliant

Other:

- Brand = AMP
- Comment = Must use cap housing adapters when

attaching strain reliefs to a cap housing. Two adapters required per housing.; Strain relief part number represents one half of a strain relief. Two of

a part number are required per connector.

Corporate Information

[About TE](#)
[Investors](#)
[News Room](#)
[Supplier Portal](#)
[Careers](#)
[Terms & Conditions](#)
[Privacy Policy](#)

Quick Links

[Distributor Inventory](#)
[Product Cross Reference](#)
[Documents & Drawings](#)
[Product Compliance Support Center](#)
[Site Map](#)

Customer Support

[Email or Chat With Us](#)
[Find a Phone Number](#)
[Knowledge Base](#)
[Manage Your Account](#)



Keep Me Informed

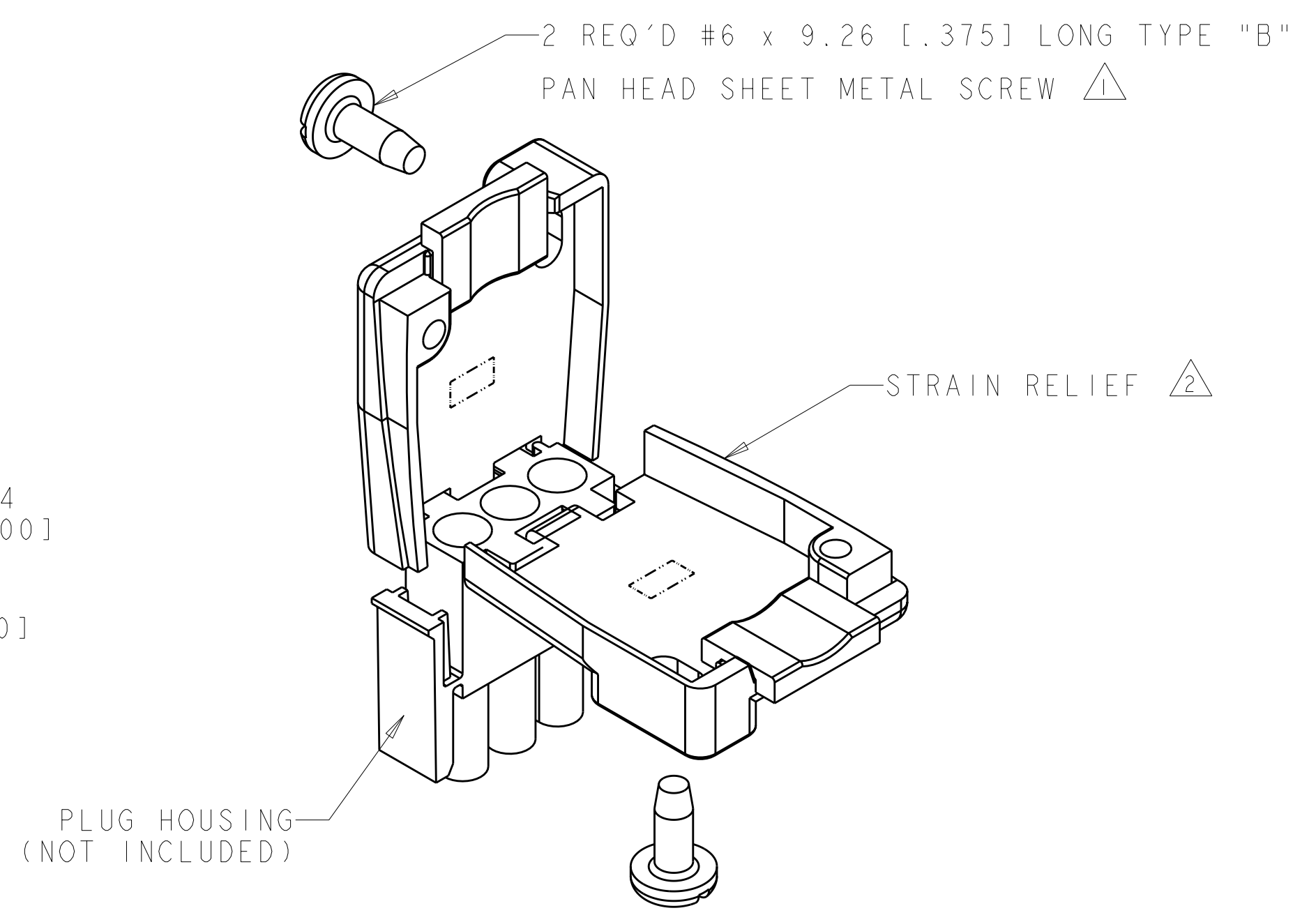
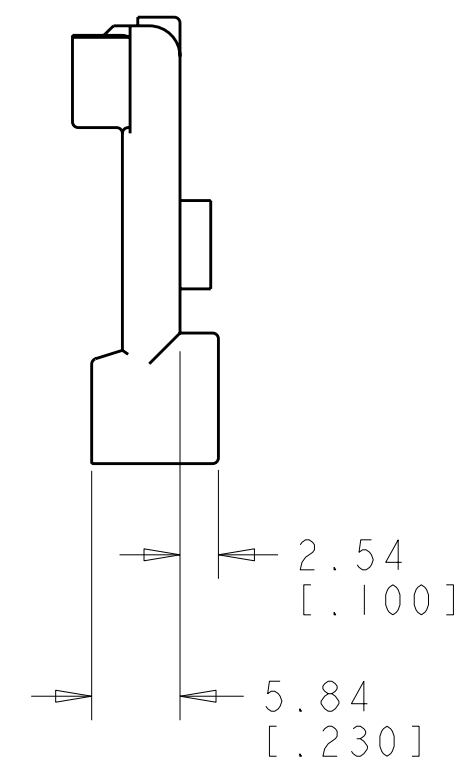
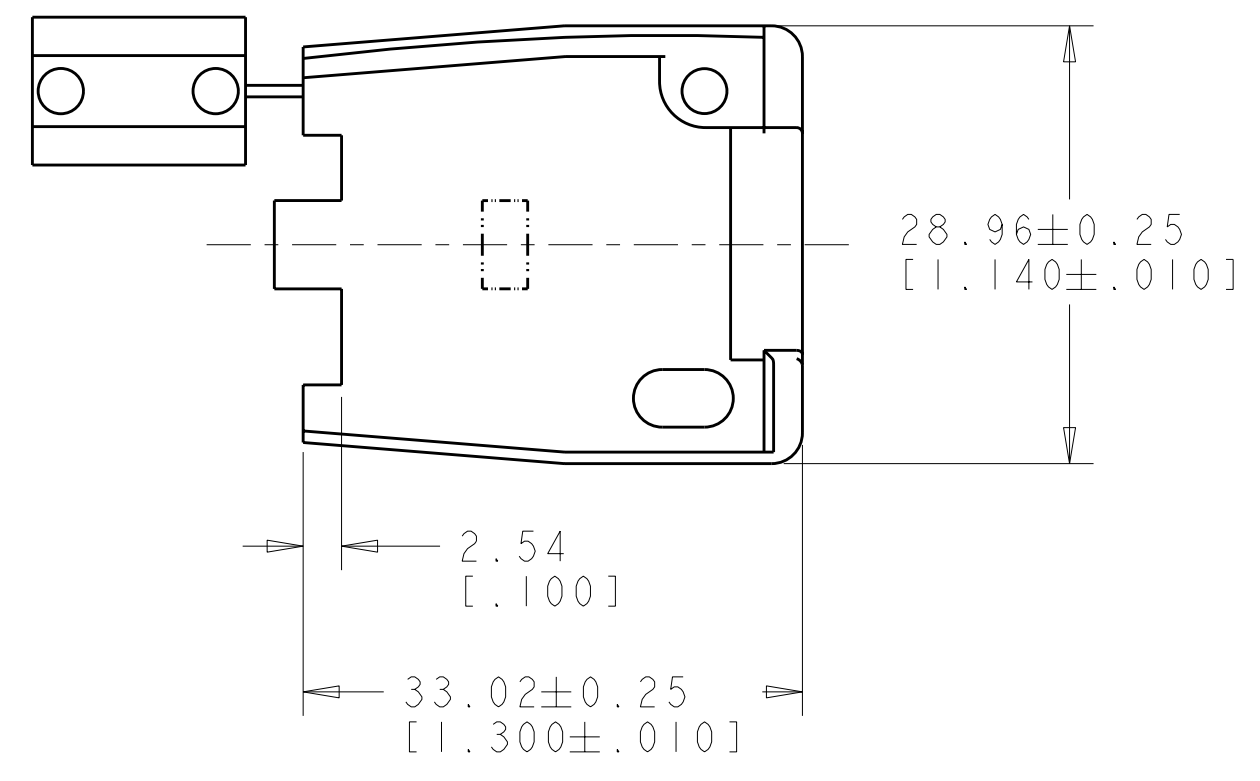


THIS DRAWING IS UNPUBLISHED. RELEASED FOR PUBLICATION 20
 © COPYRIGHT 20 BY TYCO ELECTRONICS CORPORATION. ALL RIGHTS RESERVED.

LOC	DIST	REVISIONS					
CM	00	P	LTR	DESCRIPTION	DATE	DWN	APVD
			CI	ECO-07-017205	07AUG2007	KW	DC



- ① SHEET METAL SCREWS NOT SUPPLIED.
- ② INSERT IS ATTACHED TO STRAIN RELIEF AS AN ADDITIONAL ADJUSTMENT FOR SMALL WIRE BUNDLES. IT SHOULD BE CUT OFF AND POSITIONED AS SHOWN.
- ② TWO REQUIRED PER CONNECTOR.
- 4. DETACHABLE INSERT MAY SEPARATE FROM STRAIN RELIEF BODY DURING SHIPPING.



WITHOUT INSERT	MAX 3@4.83 [.190] DIA
WITH INSERT	MIN 3@1.02 [.040] DIA
WIRE BUNDLE	



0.175 IN ³	BLACK	640714-9 ①
0.175 IN ³	NATURAL	640714-1 ①
VOLUME	COLOR	PART NUMBER

THIS DRAWING IS A CONTROLLED DOCUMENT FOR TYCO ELECTRONICS CORPORATION. IT IS SUBJECT TO CHANGE AND THE CONTROLLING ENGINEERING ORGANIZATION SHOULD BE CONTACTED FOR THE LATEST REVISION.		DWN K. WHITAKER 07AUG2007	Tyco Electronics Harrisburg, PA 17105-3608	
DIMENSIONS: mm [INCHES]		CHK D. COLEY 07AUG2007	NAME STRAIN-RELIEF, UNIVERSAL MATE-N-LOK(TM) 3 CIRCUIT	
TOLERANCES UNLESS OTHERWISE SPECIFIED: 0 PLC ± 1 PLC ± 2 PLC ±0.13 [.005] 3 PLC ± 4 PLC ± ANGLES ± FINISH		APVD D. COLEY 07AUG2007	RESTRICTED TO	
MATERIAL NYLON 94V-0	PRODUCT SPEC APPLICATION SPEC WEIGHT	SIZE A2	CAGE CODE 00779	DRAWING NO 640714
CUSTOMER DRAWING		SCALE 2:1	SHEET 1	REV C1