

Distributed by:

JAMECO[®]
ELECTRONICS

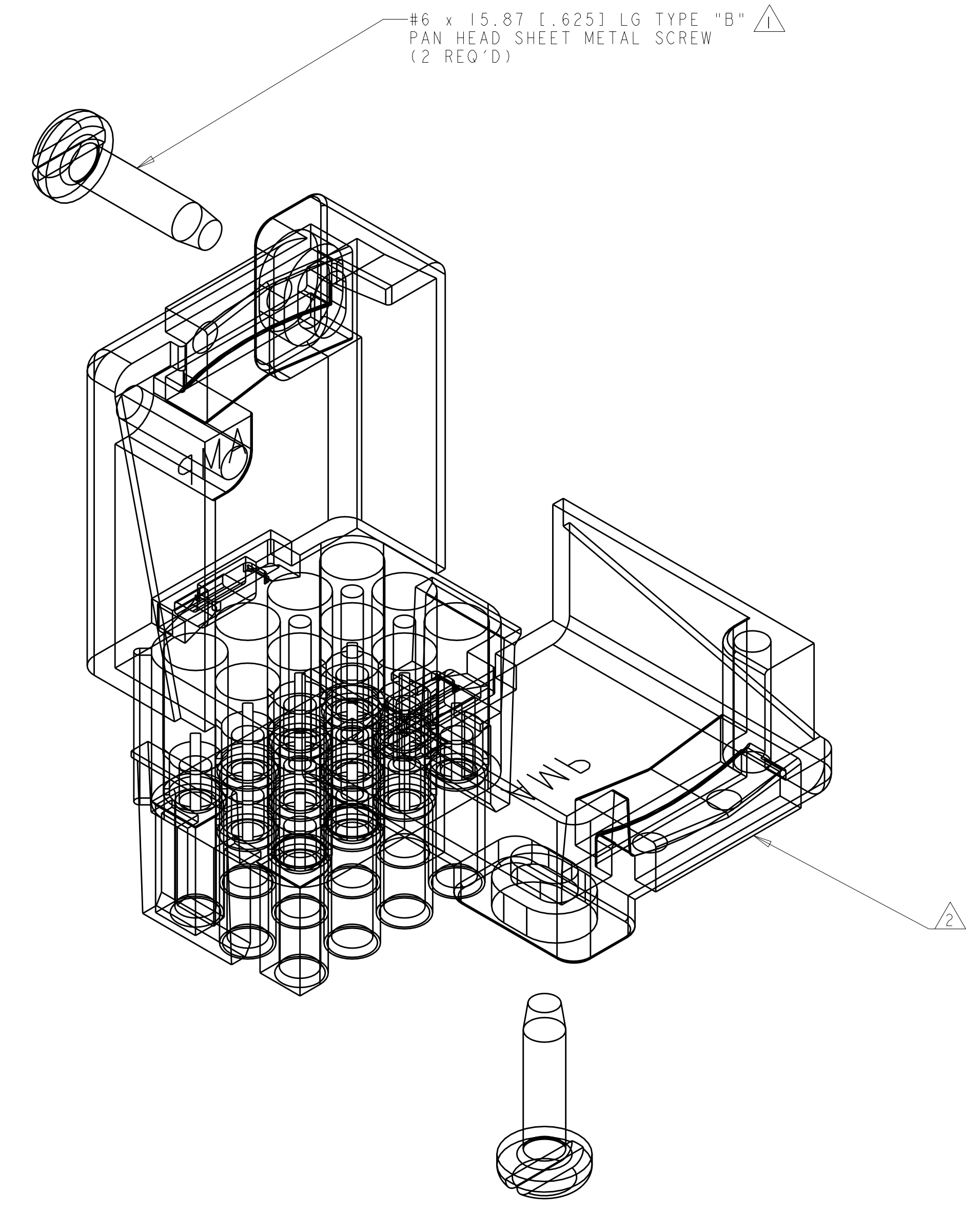
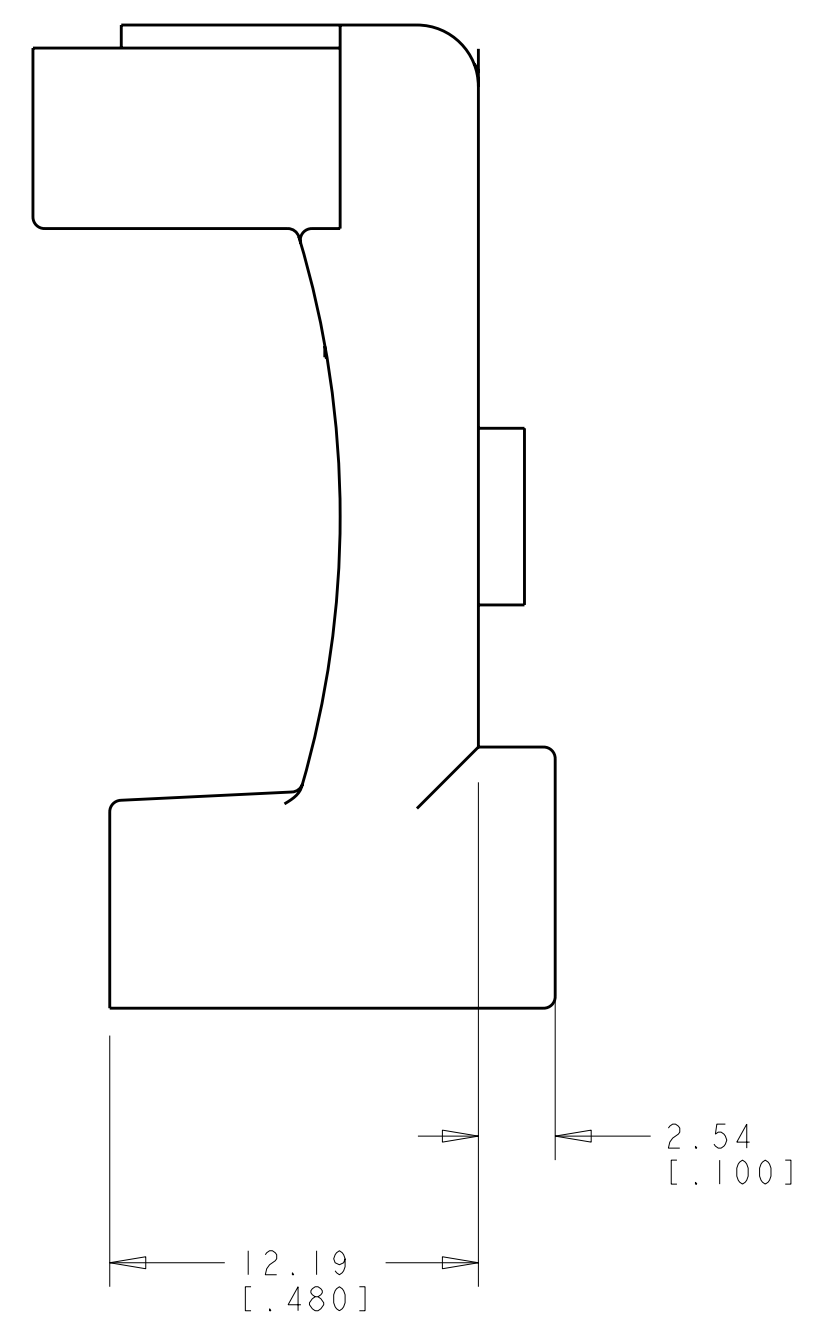
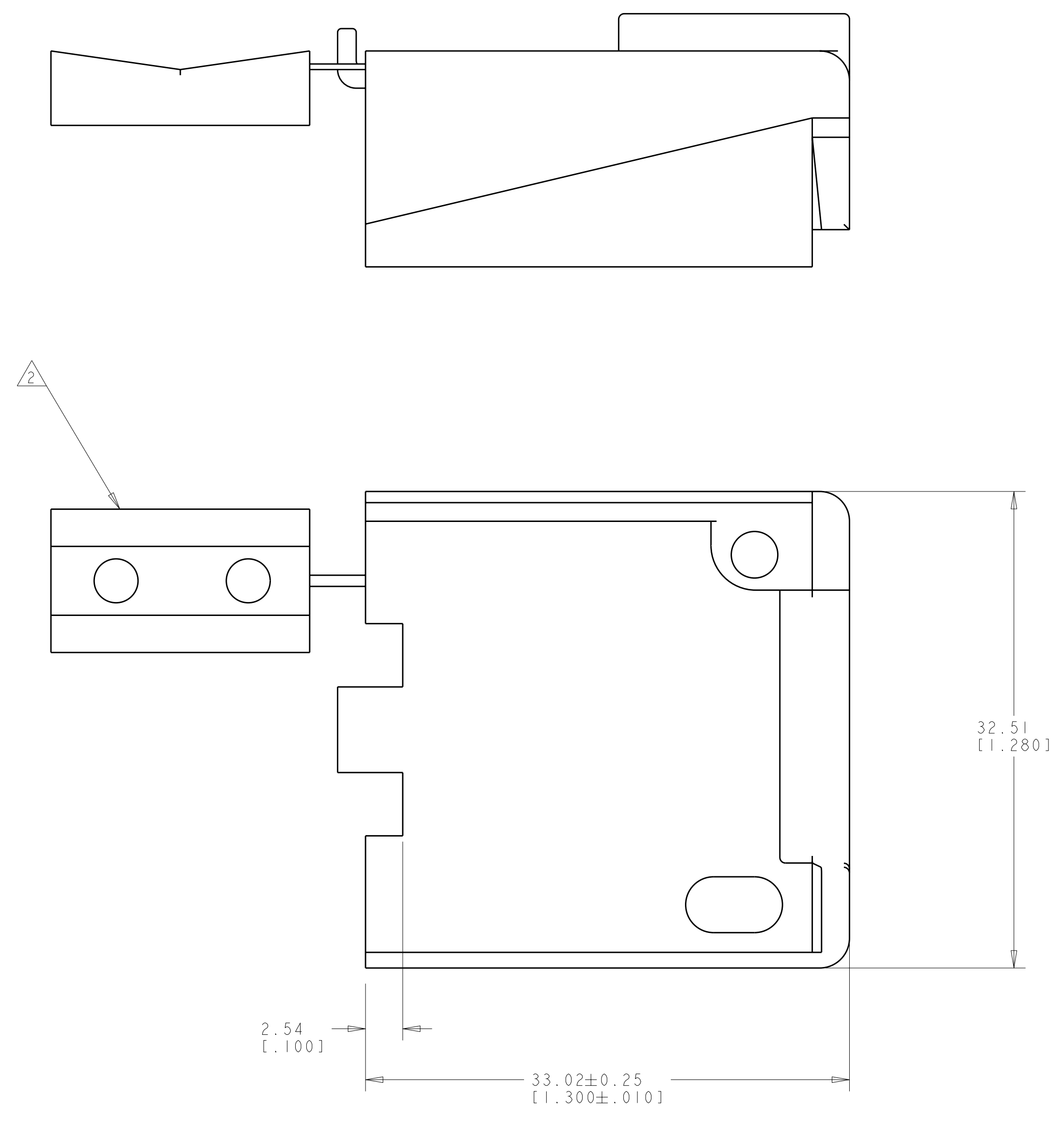
www.Jameco.com ♦ 1-800-831-4242

The content and copyrights of the attached
material are the property of its owner.

Jameco Part Number 756078

LOC	DIST	REV	DATE	BY	APPD
CM	00	C1	28AUG2006	KW	SR

- 1 SHEET METAL SCREWS NOT SUPPLIED.
- 2 INSERT IS ATTACHED TO STRAIN RELIEF AS AN ADDITIONAL ADJUSTMENT FOR SMALL WIRE BUNDLES. IT SHOULD BE CUT OFF AND POSITIONED AS SHOWN.
- 3 TWO REQUIRED PER CONNECTOR.
- 4 DETACHABLE INSERT MAY SEPARATE FROM STRAIN RELIEF BODY DURING SHIPPING.



	WIRE BUNDLE DIAMETER
WITHOUT INSERT	19.05 [.750] MAX
WITH INSERT	3.81 [.150] MAX

COLOR	MATERIAL	PART NUMBER
BLACK	NYLON UL94V-0	640717-2
NATURAL	NYLON UL94V-0	640717-1



DIMENSIONS: mm [INCHES] TOLERANCES UNLESS OTHERWISE SPECIFIED: 9 PLC ± 5 PLC ±0.13 [1.005] 4 PLC ± ANGLES 40° 30' FINISH - MATERIAL SEE TABLE		DWN R. WHITAKER 28AUG2006 CHK S. RIDGILL 28AUG2006 APVD S. RIDGILL 28AUG2006 PRODUCT SPEC APPLICATION SPEC WEIGHT - CUSTOMER DRAWING	Tyco Electronics Harrisburg, PA 17105-3608 NAME STRAIN RELIEF AND INSERT, 12 CIRCUIT, UNIVERSAL MATE-N-LOK(TM) SIZE CAGE CODE DRAWING NO. RESTRICTED TO A11 00779 C-640717 SCALE 4:1 SHEET 1 OF 1 REV C1
--	--	--	---