

Distributed by:

JAMECO[®]
ELECTRONICS

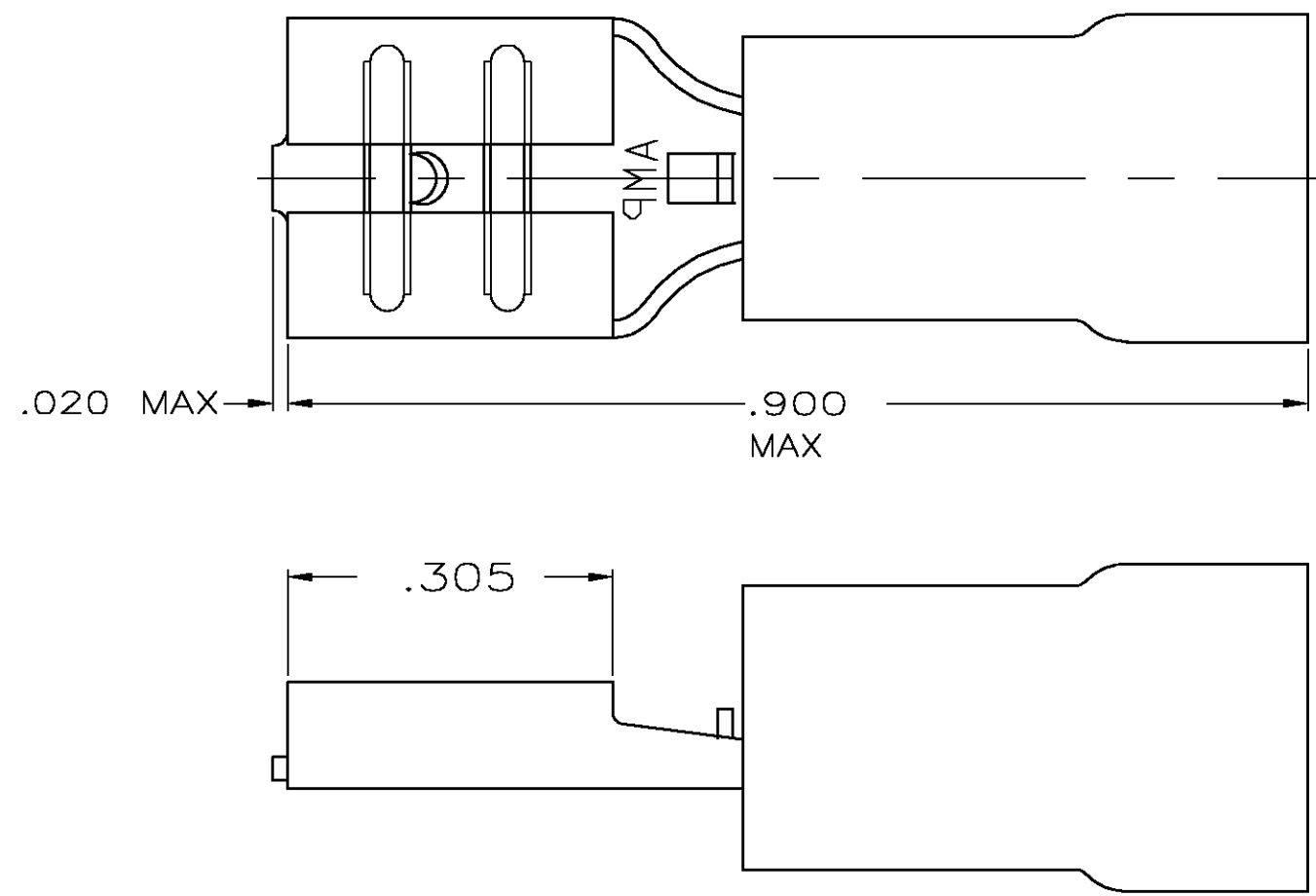
www.Jameco.com ♦ 1-800-831-4242

The content and copyrights of the attached
material are the property of its owner.

Jameco Part Number 525042

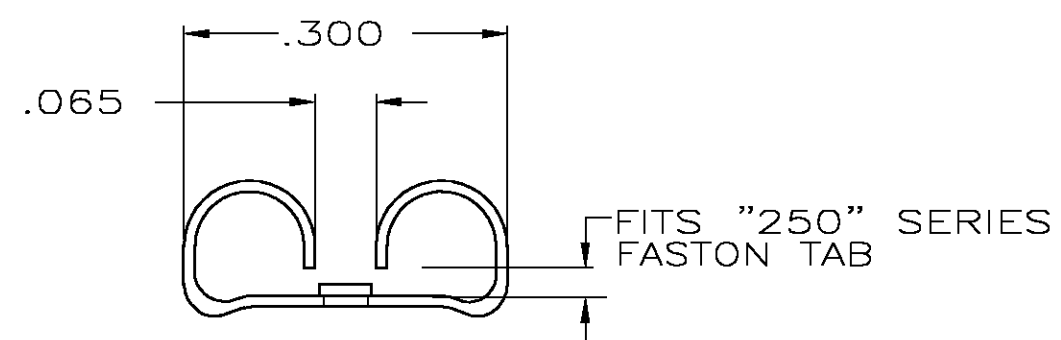
THIS DRAWING IS UNPUBLISHED. RELEASED FOR PUBLICATION
 © COPYRIGHT BY TYCO ELECTRONICS CORPORATION. ALL RIGHTS RESERVED.

LOC	DIST	REVISIONS			
P	LTR	DESCRIPTION	DATE	DWN	APVD
G	14	N	REV PER 0G3A-0319-03	27MAY03	JR TM



- 1. INSULATION DIA .170 MAX
- 2. FITS TAB .032 THK
- 3 PRELIMINARY - NOT FOR PRODUCTION

AMP WIRE RANGE	FILE E66717	LR7189 Certified
16-14 AWG STRANDED	16-14 AWG STRANDED	16-14 AWG STRANDED



QTY	PACKAGE TYPE	PART NO
3	LOOSE PC,BAG	8-640905-7
50	LOOSE PC,BAG	8-640905-6
5	LOOSE PC,BLS,SPL	8-640905-5
100	LOOSE PC,BOX	8-640905-1
1000	TAPE MOUNTED	640905-3
3500	TAPE MOUNTED	640905-2
1000	LOOSE PIECE	640905-1

**AMP INCORPORATED
CUSTOMER SERVICE SYSTEMS**

MAX RECOMMENDED OPERATING TEMPERATURE:
105°C

VOLTAGE RATING:
300V MAX

CIRCULAR MIL AREA:
2,050-5,180
STRANDED

THIS DRAWING IS A CONTROLLED DOCUMENT.

DIMENSIONS:	TOLERANCES UNLESS OTHERWISE SPECIFIED:
INCHES	
0 PLC	± -
1 PLC	± -
2 PLC	± .015
3 PLC	± -
4 PLC	± -
ANGLES	± -

MATERIAL: BODY,BRASS .018

FINISH: BODY,TIN

DWN	L OLMEDA	26JUN95
CHK	M ELLIS	26JUN95
APVD	B BARE	26JUN95
PRODUCT SPEC	UL 310	
APPLICATION SPEC	114-1002	
WEIGHT	-	
CUSTOMER DRAWING		

tyco Electronics Tyco Electronics Corporation
Harrisburg, PA 17105

NAME: RECEPTACLE, 250 SERIES, FASTON, PIDG, 16-14

SIZE	CAGE CODE	DRAWING NO	RESTRICTED TO
A3	00779	640905	-

SCALE: 6:1 SHEET: 1 OF 1 REV: N

FOR ADDITIONAL PRODUCT INFORMATION OR COPIES OF DRAWINGS AND TECHNICAL DOCUMENTS: PRODUCT INFORMATION CENTER 1-800-522-6752

FOR APPLICATION TOOLING INFORMATION: TOOLING ASSISTANCE CENTER 1-800-722-1111

FOR ORDER ENTRY: 1-800-526-5142

THIS DRAWING IS A CONTROLLED DOCUMENT FOR AMP INCORPORATED. IT IS SUBJECT TO CHANGE AND THE CONTROLLING ENGINEERING ORGANIZATION SHOULD BE CONTACTED FOR THE LATEST REVISION.