



**Have a Question?**  
 Chat with a Product  
 Information Specialist

What can we help you find?

[Products](#) [Industries](#) [Resources](#) [About TE](#) [My Account](#) [Innovation](#) [Support Center](#)

## 640913-1 Product Details

[Share](#) [Print](#) [Email](#)



**640913-1**

TE Internal Number: 640913-1

Active

[View 3D PDF](#)

### Quick Disconnect Receptacles - Insulated

Always EU RoHS/ELV Compliant (Statement of Compliance)

#### Product Highlights:

- Proprietary Name = PIDG FASTON
- Receptacle Style = Straight
- Wire Range = 1.25-2.00<sup>2</sup> [16-14] mm [AWG]
- Mating Area Interface Dimensions = 5.21 x 0.51 mm
- Insulation Diameter = 4.32 [.170] Max. mm [in]

[View all Features](#)

### Quick Links

- ▶ [Pricing & Availability](#)
- ▶ [Search for Tooling](#)
- ▶ [Product Feature Selector](#)
- ▶ [Contact Us About This Product](#)

[Add to My Part List](#) [Request Sample](#) [Find Similar Products](#) [Buy Product](#)

### Documentation & Additional Information

#### Product Drawings:

- [RECEPTACLE, 205 SERIES, FASTON, PIDG, WIRE SIZE, 16-1...](#) (PDF, English)

#### Catalog Pages/Data Sheets:

- [PIDG\\_FASTON](#) (PDF, English)
- [Ultra-Fast and Ultra Fast Plus](#) (PDF, English)

#### Product Specifications:

- None Available

#### Application Specifications:

- [Pre-Insulated Diamond Grip \(PIDG\) FASTON Receptacle ...](#) (PDF, English)

#### Instruction Sheets:

- None Available

#### CAD Files: (CAD Format & Compression Information)

- [2D Drawing](#) (DXF, Version G)
- [3D Model](#) (IGES, Version G)
- [3D Model](#) (STEP, Version G)

[List all Documents](#)

#### Additional Information:

- [Product Line Information](#)

#### Related Products:

- [Tooling](#)

### Product Features (Please use the Product Drawing for all design activity)

#### Product Type Features:

- [Receptacle Style](#) = Straight
- [Insertion Force](#) = Normal
- [Finish](#) = Tin
- [Dimple Type](#) = Dimple with wire stop
- [Insulation Support](#) = Insulation Support
- [RU \(UL Component Program\)](#) = Approved
- [Color](#) = Blue

#### Electrical Characteristics:

- [Voltage \(VAC\)](#) = 300

#### Termination Features:

- [Wire/Cable Size \(CMA\)](#) = 2,050 - 5,180

#### Dimensions:

- [Mating Area Interface Dimensions \(mm \[in\]\)](#) = 5.21 x 0.51 [.205 x .020]
- [Insulation Diameter \(mm \[in\]\)](#) = 4.32 [.170] Max.

#### Body Features:

- [Fully Insulated](#) = No
- [Wire Range \(mm \[AWG\]\)](#) = 1.25-2.00<sup>2</sup> [16-14]
- [Material](#) = Brass
- [Insulation Material](#) = Nylon
- [Stock Thickness \(mm \[in\]\)](#) = 0.41 [0.016]

#### Industry Standards:

- [RoHS/ELV Compliance](#) = RoHS compliant, ELV compliant
- [Lead Free Solder Processes](#) = Not relevant for lead free process
- [RoHS/ELV Compliance History](#) = Always was RoHS compliant
- [CSA Certified](#) = Yes

#### Packaging Features:

- [Packaging Method](#) = Loose Piece

#### Other:

- [Proprietary Name](#) = PIDG FASTON
- [Brand](#) = AMP

### Corporate Information

[About TE](#)  
[Investors](#)

### Quick Links

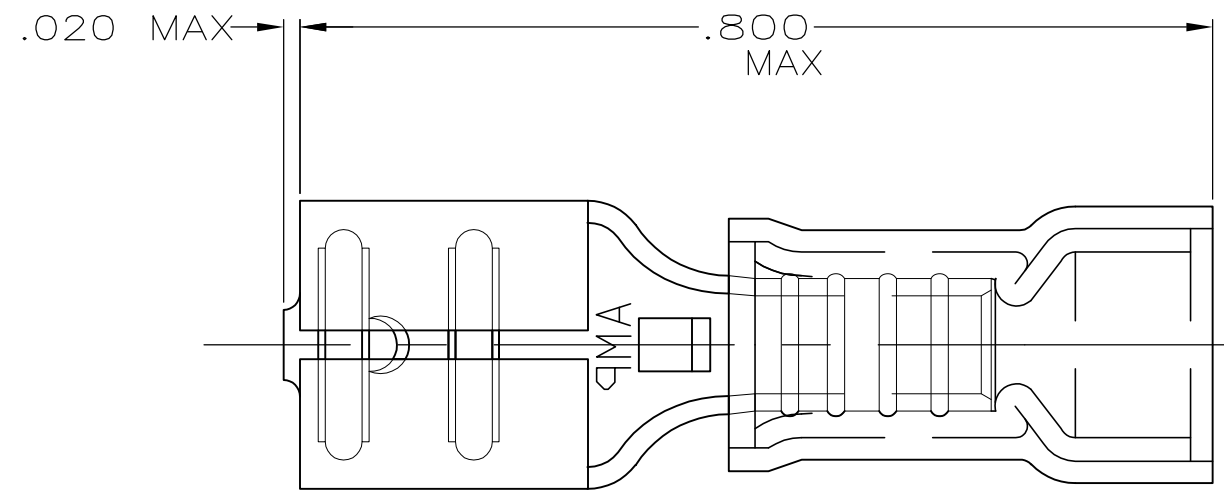
[Distributor Inventory](#)  
[Product Cross Reference](#)

### Customer Support

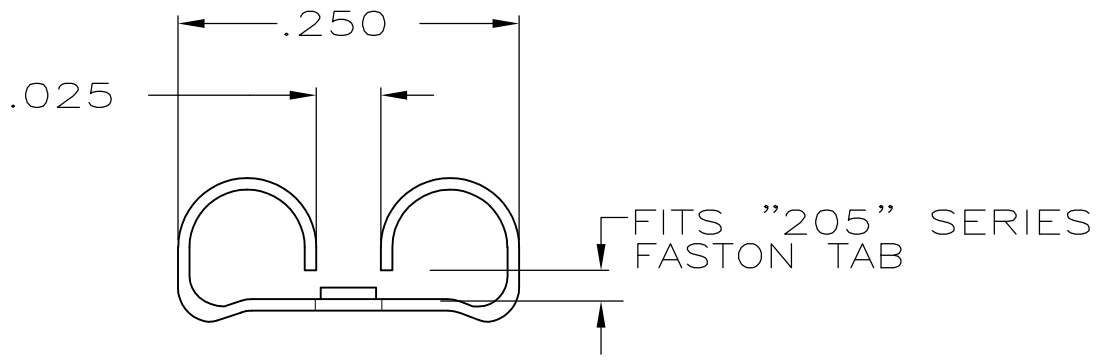
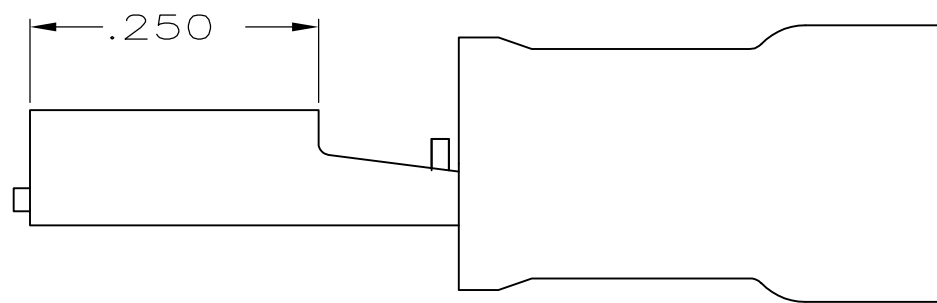
[Email or Chat With Us](#)  
[Find a Phone Number](#)

THIS DRAWING IS UNPUBLISHED. RELEASED FOR PUBLICATION  
 © COPYRIGHT - By - ALL RIGHTS RESERVED.

LOC	DIST	REVISIONS					
		P	LTR	DESCRIPTION	DATE	DWN	APVD
G	14						
		G1		REVISED PER ECO-11-004917	11MAR11	RK	HMR



- 1. INSULATION DIA .170 MAX
- 2. FITS TAB .020 THK



QTY	PACKAGE TYPE	PART NO
100	LOOSE PC,BOX	8-640913-1
-	TAPE MOUNTED	640913-2
-	LOOSE PIECE	640913-1

AMP INCORPORATED CUSTOMER SERVICE SYSTEM		MAX RECOMMENDED OPERATING TEMPERATURE: -	THIS DRAWING IS A CONTROLLED DOCUMENT.		DWN L OLMEDA 26JUN95	TE Connectivity RECEPTACLE, 205 SERIES, FASTON, PIDG, WIRE SIZE,16-14 AWG			
FOR ADDITIONAL PRODUCT INFORMATION OR COPIES OF DRAWINGS AND TECHNICAL DOCUMENTS	PRODUCT INFORMATION CENTER 1-800-522-6752	VOLTAGE RATING: -	DIMENSIONS: INCHES	TOLERANCES UNLESS OTHERWISE SPECIFIED:	CHK M ELLIS 26JUN95				NAME
FOR APPLICATION TOOLING INFORMATION	TOOLING ASSISTANCE CENTER 1-800-722-1111	CIRCULAR MIL AREA: -		0 PLC ± - 1 PLC ± - 2 PLC ± .015 3 PLC ± - 4 PLC ± - ANGLES ± -	APVD B BARE 26JUN95	APPLICATION SPEC			
FOR ORDER ENTRY	1-800-526-5142			MATERIAL BODY,BRASS .016 SLV,NYLON,COLOR,BLUE	FINISH BODY,TIN	PRODUCT SPEC	SIZE A3	CAGE CODE 00779	DRAWING NO C-640913
CUSTOMER DRAWING					WEIGHT -	SCALE NTS	SHEET 1 OF 1	REV G1	