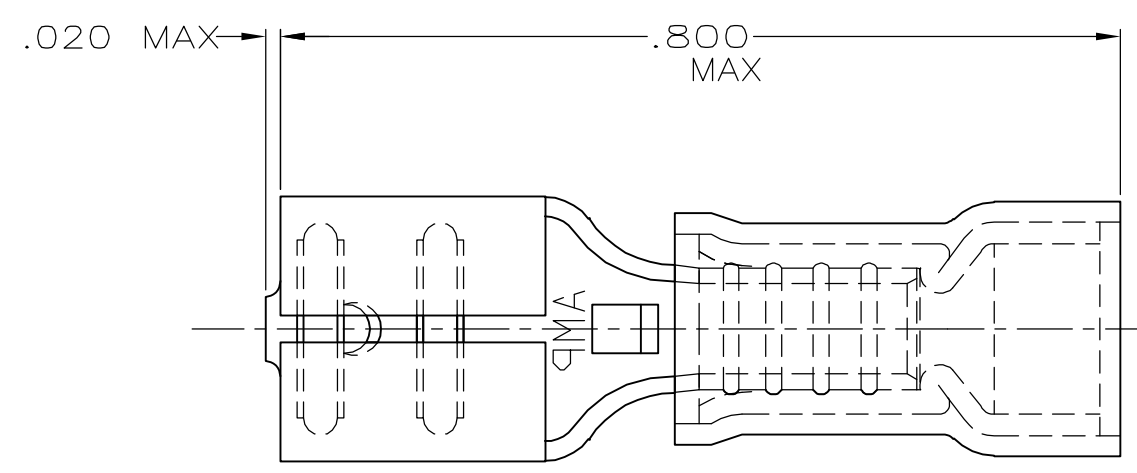
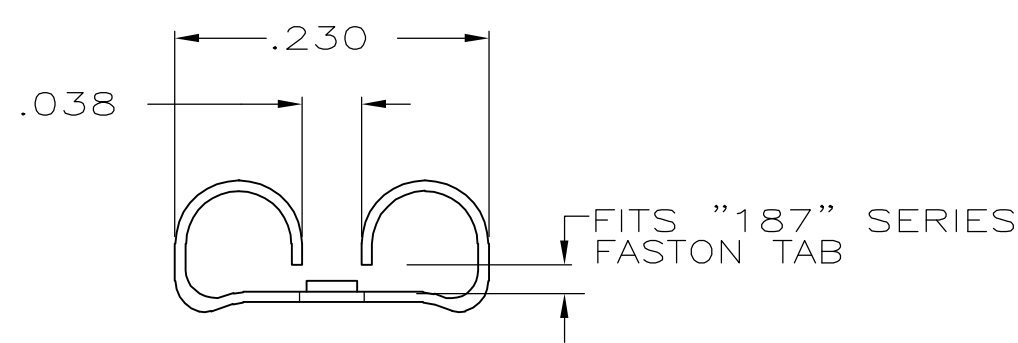
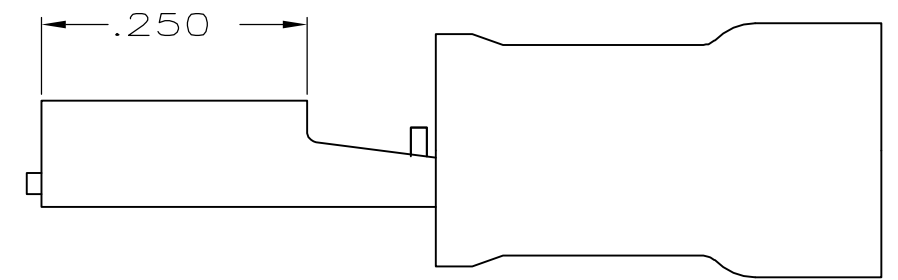


LOC	DIST	REVISIONS					
G	14	P	LTR	DESCRIPTION	DATE	DWN	APVD
		L1		REV PER ECR 06-001832	24APR06	JR	TM



- 1. INSULATION DIA .135 MAX
- 2. FITS TAB .020 THK
- △ 3 SUPERSEDED BY 8-640917-1



△ 3	50	LOOSE PC,BAG	8-640917-5
	100	LOOSE PC,BOX	8-640917-1
	-	TAPE MOUNTED	640917-2
	-	LOOSE PIECE	640917-1
QTY	PACKAGE TYPE		PART NO

AMP INCORPORATED CUSTOMER SERVICE SYSTEM		MAX RECOMMENDED OPERATING TEMPERATURE: -	THIS DRAWING IS A CONTROLLED DOCUMENT FOR AMP INCORPORATED. IT IS SUBJECT TO CHANGE AND THE CONTROLLING ENGINEERING ORGANIZATION SHOULD BE CONTACTED FOR THE LATEST REVISION.		DWN L OLMEDA 26JUN95	AMP Incorporated Harrisburg, PA 17105-3608 NAME RECEPTACLE, 187 SERIES, FASTON™, PIDG™, WIRE SIZE, 22-18 AWG
FOR ADDITIONAL PRODUCT INFORMATION OR COPIES OF DRAWINGS AND TECHNICAL DOCUMENTS	PRODUCT INFORMATION CENTER 1-800-522-6752	VOLTAGE RATING: -	DIMENSIONS: INCHES	TOLERANCES UNLESS OTHERWISE SPECIFIED: 0 PLC ±- 1 PLC ±- 2 PLC ±.015 3 PLC ±- 4 PLC ±- ANGLES ±-	CHK M ELLIS 26JUN95	
FOR APPLICATION TOOLING INFORMATION	TOOLING ASSISTANCE CENTER 1-800-722-1111	CIRCULAR MIL AREA: -		FINISH BODY,TIN -	APVD B BARE 26JUN95	
FOR ORDER ENTRY	1-800-526-5142	MATERIAL BODY,BRASS .016 SLV,NYLON,COLOR, RED			PRODUCT SPEC	
					APPLICATION SPEC	SIZE A3
					WEIGHT -	CAGE CODE 00779
					CUSTOMER DRAWING	DRAWING NO C-640917
						SCALE NTS SHEET 1 OF 1 REV L1