

Distributed by:

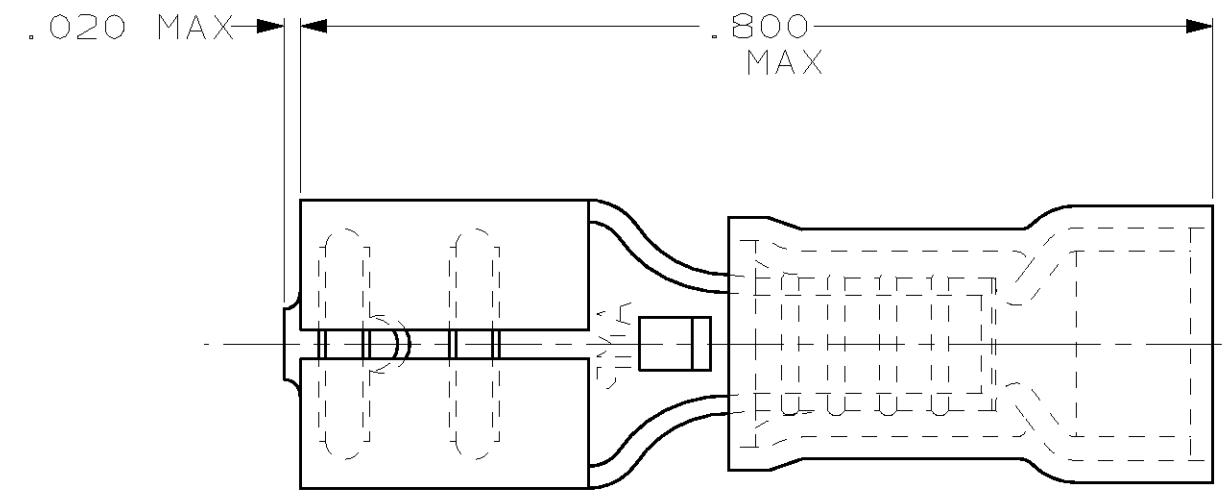
JAMECO[®]
ELECTRONICS

www.Jameco.com ♦ 1-800-831-4242

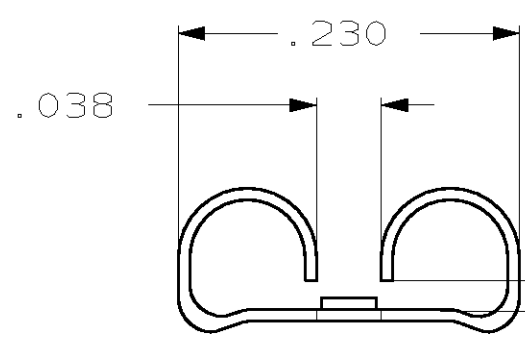
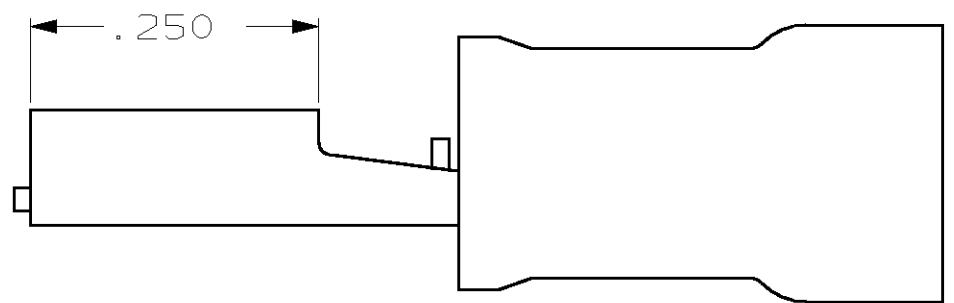
The content and copyrights of the attached
material are the property of its owner.

THIS DRAWING IS UNPUBLISHED. RELEASED FOR PUBLICATION ,19 .
 © COPYRIGHT 19 BY AMP INCORPORATED. ALL RIGHTS RESERVED.

LOC		DIST		REVISIONS			
P	LTR	DESCRIPTION		DATE	DWN	APVD	
G	14	G		REV PER 0G3A-0176-02	08APR02	JR	TM



- 1. INSULATION DIA .170 MAX
- 2. FITS TAB .020 THK



FITS "187" SERIES FASTON TAB

Jameco Part Number 303301

QTY	PACKAGE TYPE	PART NO
-	-	-
100	LOOSE PC, BOX	8-640919-1
-	TAPE MOUNTED	640919-2
-	LOOSE PIECE	640919-1

AMP INCORPORATED CUSTOMER SERVICE SYSTEM	
FOR ADDITIONAL PRODUCT INFORMATION OR COPIES OF DRAWINGS AND TECHNICAL DOCUMENTS	PRODUCT INFORMATION CENTER 1-800-522-6752
FOR APPLICATION TOOLING INFORMATION	TOOLING ASSISTANCE CENTER 1-800-722-1111
FOR ORDER ENTRY	1-800-526-5142

MAX RECOMMENDED OPERATING TEMPERATURE: -
VOLTAGE RATING: -
CIRCULAR MIL AREA: -

THIS DRAWING IS A CONTROLLED DOCUMENT FOR AMP INCORPORATED. IT IS SUBJECT TO CHANGE AND THE CONTROLLING ENGINEERING ORGANIZATION SHOULD BE CONTACTED FOR THE LATEST REVISION.	
DIMENSIONS, INCHES	TOLERANCES UNLESS OTHERWISE SPECIFIED:
	0 PLC ±-
	1 PLC ±-
	2 PLC ±.015
	3 PLC ±-
	4 PLC ±-
	ANGLES ±-
MATERIAL BODY, BRASS .016	FINISH BODY, TIN
SLV, NYLON, COLOR, BLUE	-

DWN L OLMEDA	26 JUN 95
CHK M ELLIS	26 JUN 95
APVD B BARE	26 JUN 95
PRODUCT SPEC	-
APPLICATION SPEC	-
WEIGHT	-
CUSTOMER DRAWING	

AMP Incorporated Harrisburg, PA 17105-3608		
NAME RECEPTACLE, 187 SERIES, FASTON™, PIDG™, WIRE SIZE, 16-14 AWG		
SIZE A3	CAGE CODE 00779	DRAWING NO C-640919
SCALE NT5	SHEET 1 OF 1	REV G