



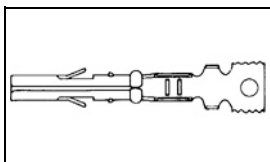
Have a Question?
 Chat with a Product
 Information Specialist

What can we help you find?

[Products](#) |
 [Industries](#) |
 [Resources](#) |
 [About TE](#) |
 [My Account](#) |
 [Innovation](#) |
 [Support Center](#)

641294-1 Product Details

[Share](#) |
 [Print](#) |
 [Email](#)



641294-1

TE Internal Number: 641294-1

Active

View 3D PDF

.165" Centerline, 250 V, 9 A max.

Always EU RoHS/ELV Compliant (Statement of Compliance)

Product Highlights:

- Wire-to-Board, Wire-to-Board / Wire-to-Wire, Wire-to-Wire
- Contact
- Applies To Wire/Cable
- Wire/Cable Size = 18 - 26 AWG
- Wire/Cable Size = .12 - .8 mm²

[View all Features](#)

Quick Links

- ▶ [Pricing & Availability](#)
- ▶ [Search for Tooling](#)
- ▶ [Product Feature Selector](#)
- ▶ [Contact Us About This Product](#)

[Add to My Part List](#) |
 [Request Sample](#) |
 [Find Similar Products](#) |
 [Buy Product](#)

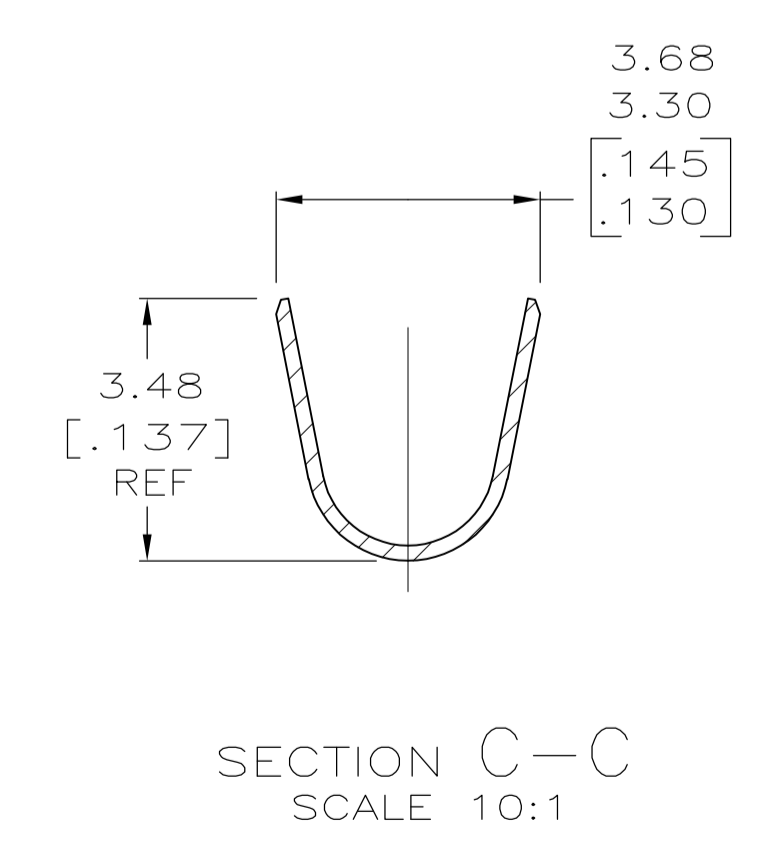
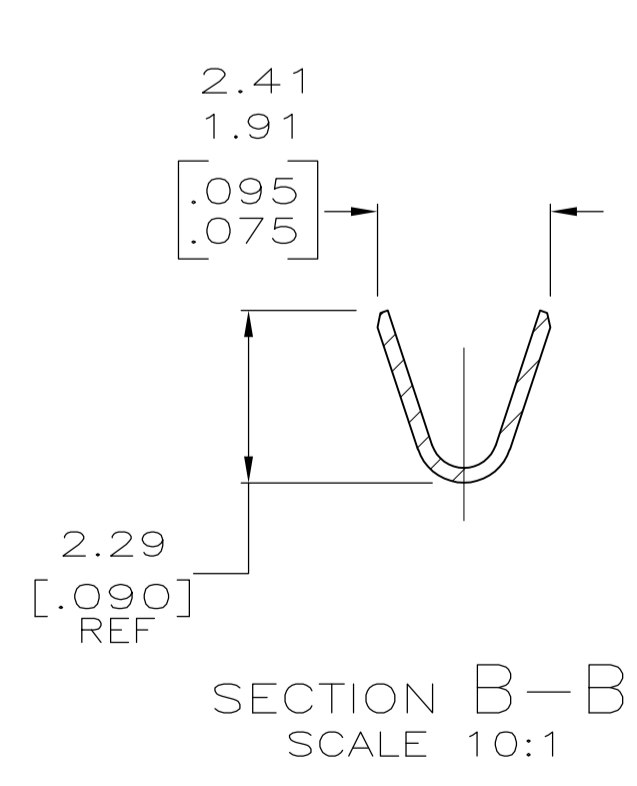
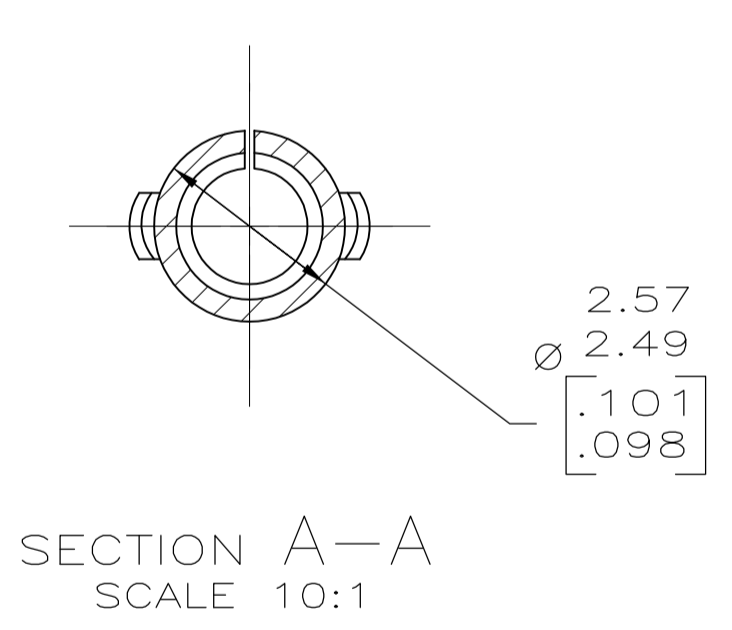
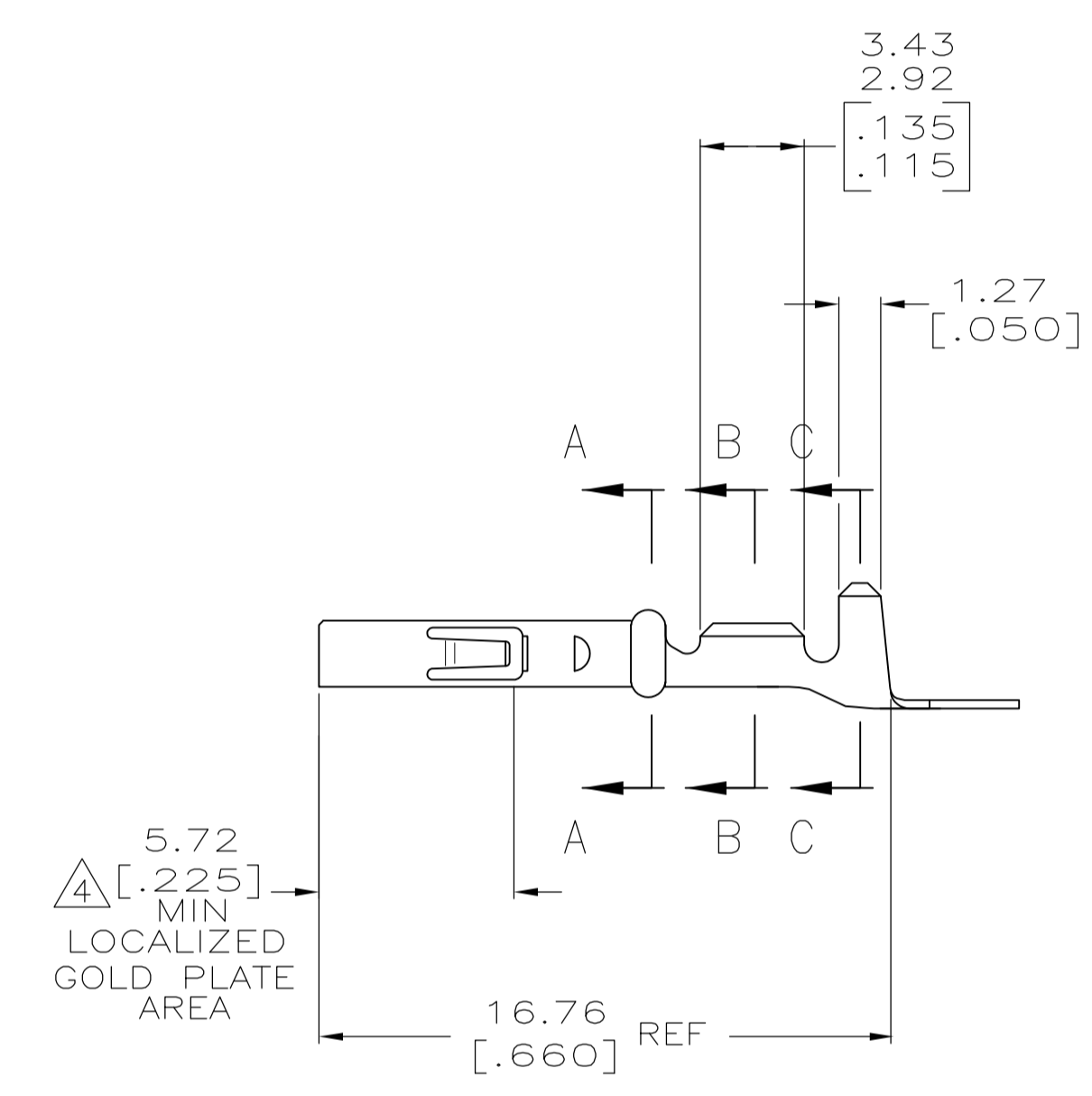
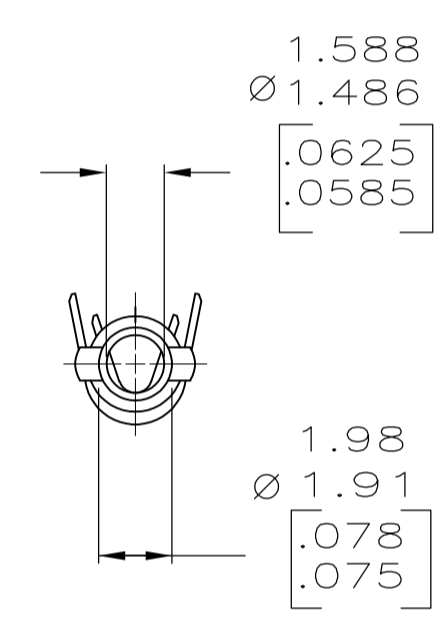
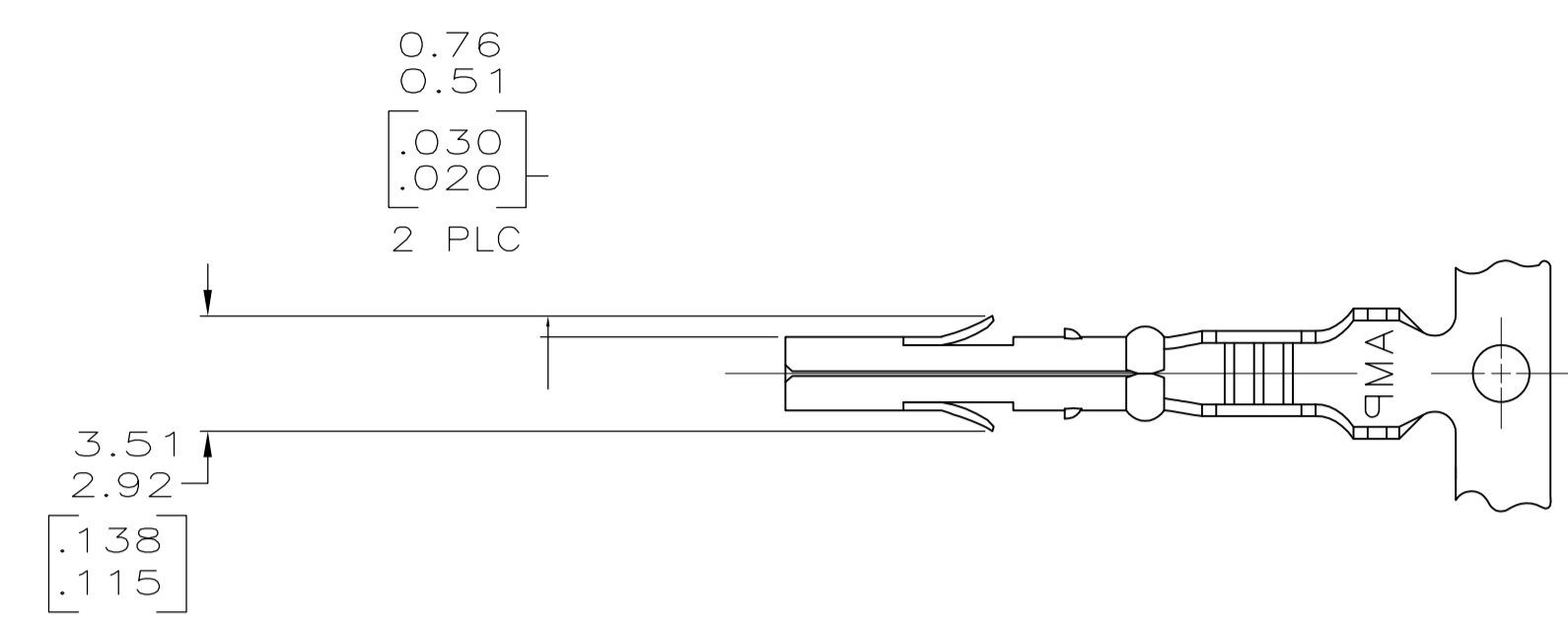
| Documentation & Additional Information | |
|--|--|
| <p>Product Drawings:</p> <ul style="list-style-type: none"> • MR RECEPTACLE (PDF, English) <p>Catalog Pages/Data Sheets:</p> <ul style="list-style-type: none"> • SOFT_SHELL_PIN_AND_SOCKET_CONNECTORS_CATALOG (PDF, English) <p>Product Specifications:</p> <ul style="list-style-type: none"> • Connector, Miniature Rectangular (MR) (PDF, English) • Miniature Rectangular (MR) Headers (PDF, English) <p>Application Specifications:</p> <ul style="list-style-type: none"> • Miniature Rectangular Contacts and Housings (PDF, English) <p>Instruction Sheets:</p> <ul style="list-style-type: none"> • None Available <p>CAD Files: (CAD Format & Compression Information)</p> <ul style="list-style-type: none"> • 2D Drawing (DXF, Version E1) • 3D Model (IGES, Version E1) • 3D Model (STEP, Version E1) | <p>Additional Information:</p> <ul style="list-style-type: none"> • Product Line Information <p>Related Products:</p> <ul style="list-style-type: none"> • Tooling |

[List all Documents](#)

| Product Features (Please use the Product Drawing for all design activity) | |
|--|---|
| <p>Product Type Features:</p> <ul style="list-style-type: none"> • Product Type = Contact • Strain Relief = With • Wire/Cable Type = Discrete Wire • Termination Method to Wire/Cable = Crimp • PCB Mount Retention = Without <p>Electrical Characteristics:</p> <ul style="list-style-type: none"> • Contact - Rated Current (A) = 9 • Hot Pluggable = No • Operating Voltage Reference = AC • Operating Voltage (VAC) = 250 <p>Termination Features:</p> <ul style="list-style-type: none"> • Wire/Cable Size (AWG) = 18 - 26 • Wire/Cable Size (mm²) = 0.12 - 0.8 • Wire/Cable Size (CMA) = 236.823 - 1,578.82 <p>Dimensions:</p> <ul style="list-style-type: none"> • Length (X-Axis) (mm [in]) = 16.76 [0.6598] • Width (Z-Axis) (mm [in]) = 1.94 [0.076] • Profile Height (Y-Axis) (mm [in]) = 1.94 [0.076] <p>Contact Features:</p> <ul style="list-style-type: none"> • Contact Type = Socket • Contact Base Material = Phosphor Bronze • Contact Plating, Mating Area, Material = Pre-Tin • Contact Plating, Mating Area, Thickness (µm [µin]) = 0.4 [15.75] • Contact Design = Formed Socket | <p>Housing Features:</p> <ul style="list-style-type: none"> • Mating Alignment = Without <p>Industry Standards:</p> <ul style="list-style-type: none"> • UL Voltage Rating (VAC) = 250 • RoHS/ELV Compliance = RoHS compliant, ELV compliant • Lead Free Solder Processes = Not relevant for lead free process • RoHS/ELV Compliance History = Always was RoHS compliant <p>Environmental:</p> <ul style="list-style-type: none"> • Operating Temperature (°C [°F]) = -55 - +105 [-67 - +221] <p>Conditions for Usage:</p> <ul style="list-style-type: none"> • Applies To = Wire/Cable • Accepts Wire Insulation Diameter, Range (mm [in]) = 0.635 - 2.92 [0.050 - 0.115] <p>Operation/Application:</p> <ul style="list-style-type: none"> • Application Use = Wire-to-Board, Wire-to-Board / Wire-to-Wire, Wire-to-Wire • Contact Transmits (Typical Application) = Signal (Data)/Power <p>Packaging Features:</p> <ul style="list-style-type: none"> • Packaging Method = Reel <p>Other:</p> <ul style="list-style-type: none"> • Brand = AMP |

| LOC | | DIST | | REVISIONS | | | |
|-----|-----|---------------------------|---------|-----------|------|--|--|
| P | LTR | DESCRIPTION | DATE | DMN | APVD | | |
| E2 | | REVISED PER ECO-11-004820 | 11MAR11 | RK | HMR | | |

- 1 WIRE RANGE: 0.12-0.9mm² (26-18 AWG).
- 2 INSULATION RANGE: 1.27-2.92 [.050-.115] MAX. DIA.
- 3 DIMENSIONS IN BRACKETS ARE IN INCHES.
- 4 Δ PLATE INTERNALLY WITH 0.00076 [.000030] MIN GOLD IN THE LOCALIZED GOLD PLATE AREA, GOLD FLASH ON THE REMAINDER, OVER 0.00127 [.000050] MIN NICKEL UNDERPLATE.



| | | |
|----------------------|----------------------|----------|
| Δ GOLD STRIPE | 0.20 [.008] PHOS BRZ | 641294-2 |
| PRE-TIN | 0.20 [.008] PHOS BRZ | 641294-1 |
| FINISH | MATERIAL | PART NO |

| DIMENSIONS: | | TOLERANCES UNLESS OTHERWISE SPECIFIED: | | APVD | | NAME | |
|-------------|-----------|--|-----------|-----------|---------|------------------|-------------------------------|
| mm [INCHES] | | 0 PLC ± - | | K. SALMON | 9-28-94 | TE Connectivity | |
| | | 1 PLC ± - | | R. SWING | 9-28-94 | MR RECEPTACLE | |
| | | 2 PLC ± - | | | | - | |
| | | 3 PLC ± 0.13 [.005] | | | | - | |
| | | 4 PLC ± - | | | | - | |
| | | ANGLES ± - | | | | - | |
| MATERIAL | SEE TABLE | FINISH | SEE TABLE | WEIGHT | - | SIZE | CAGE CODE |
| | | | | | | A1 | 00779 |
| | | | | | | DRAWING NO | 641294 |
| | | | | | | RESTRICTED TO | - |
| | | | | | | CUSTOMER DRAWING | SCALE 5:1 SHEET 1 OF 1 REV E2 |

METRIC