

Distributed by:

**JAMECO**<sup>®</sup>  
ELECTRONICS

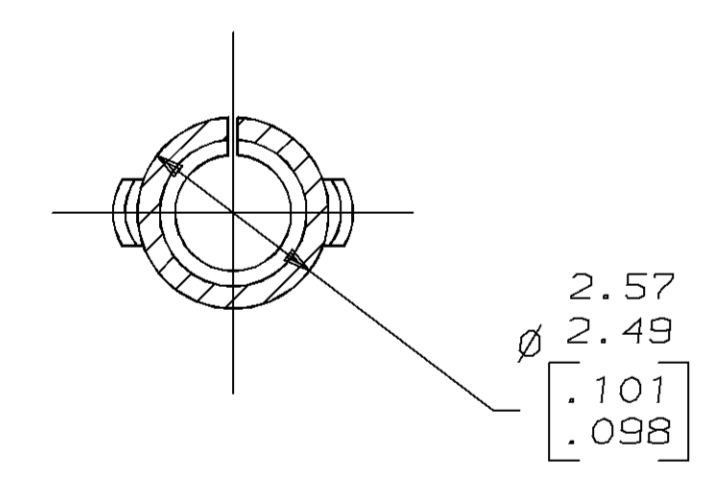
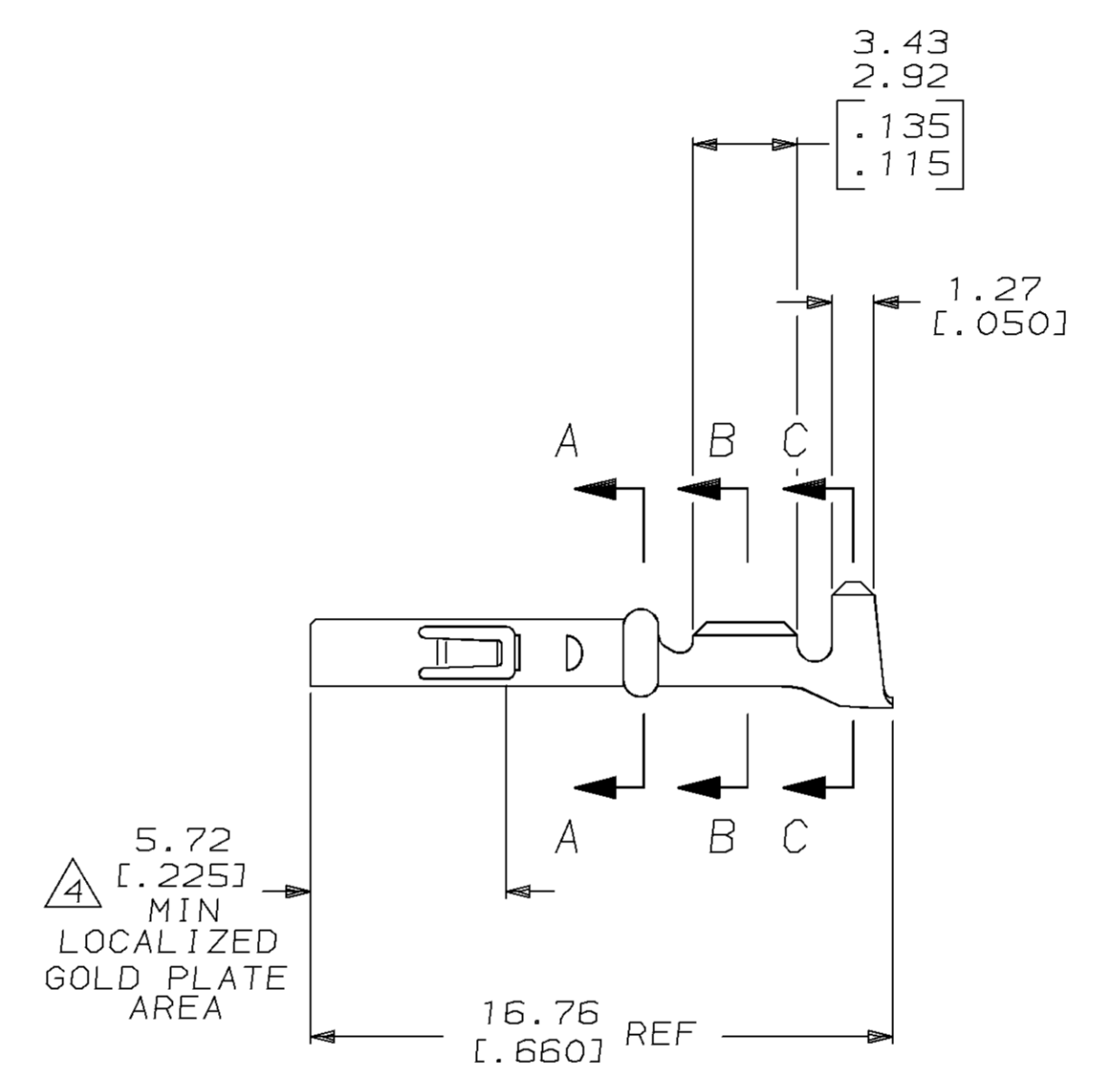
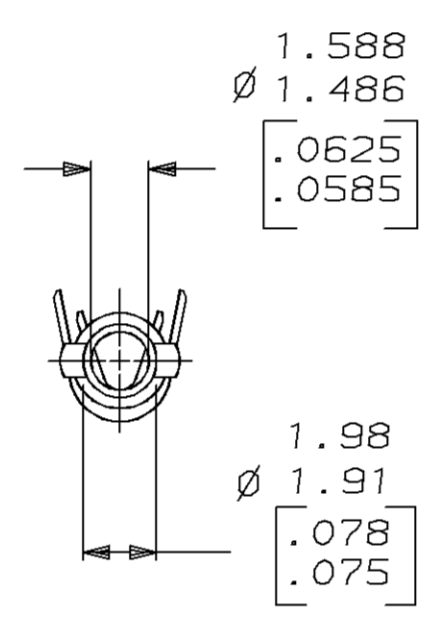
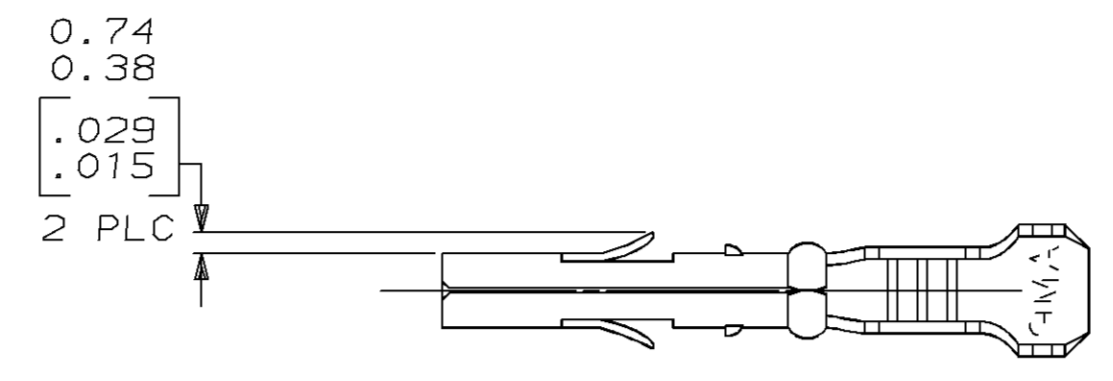
**www.Jameco.com ♦ 1-800-831-4242**

The content and copyrights of the attached  
material are the property of its owner.

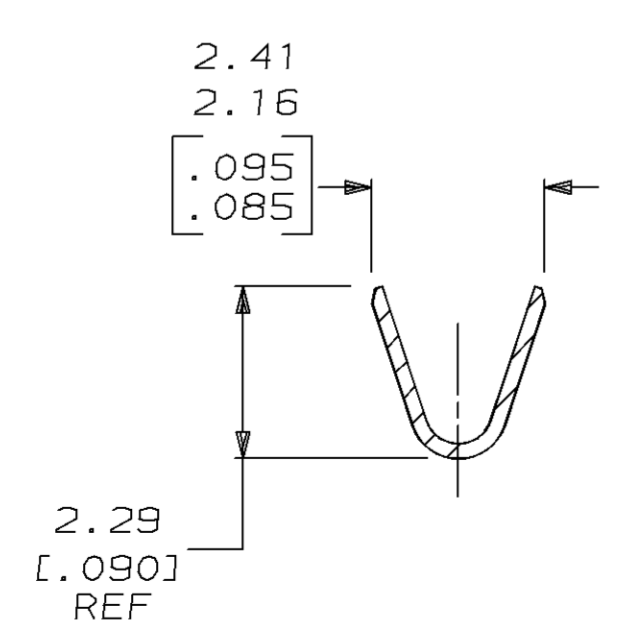
Jameco Part Number 525051

LOC		DIST		P		F		ZONE		LTR		REVISIONS			
CM	52											DESCRIPTION	DATE	APPD	
												B	REV & REDWN PER EC 0730-0059-95	3-21-95	KS

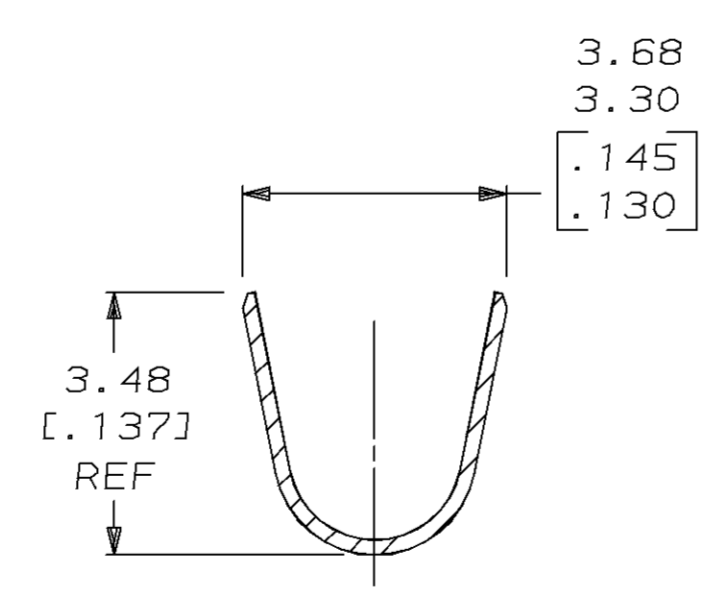
- 1 WIRE RANGE: 0.12-0.9mm<sup>2</sup> (26-18 AWG).
  - 2 INSULATION RANGE: 1.27-2.92 [.050-.115] MAX. DIA.
  - 3 DIMENSIONS IN BRACKETS ARE IN INCHES.
- △ PLATE INTERNALLY WITH 0.00076 [.000030] MIN GOLD IN THE LOCALIZED GOLD PLATE AREA, GOLD FLASH ON THE REMAINDER, OVER 0.00127 [.000050] MIN NICKEL UNDERPLATE.



SECTION A-A  
SCALE 10:1



SECTION B-B  
SCALE 10:1



SECTION C-C  
SCALE 10:1

**METRIC**

THIS DRAWING IS A CONTROLLED DOCUMENT FOR AMP INCORPORATED. IT IS SUBJECT TO CHANGE AND THE CONTROLLING ENGINEERING ORGANIZATION SHOULD BE CONTACTED FOR THE LATEST REVISION.

FINISH	MATERIAL	PART NO
△ GOLD STRIPE	0.20 [.008] PHOS BRZ	641300-2
PRE-TIN	0.20 [.008] PHOS BRZ	641300-1

DO NOT SCALE PRINT. UNLESS SPECIFIED DIMENSIONS IN mm [INCHES] TOLERANCES ON: 2 PLC DEC ± - 3 PLC DEC ± 0.13 [.005] ANGLES ± -	DR 3-21-95 K. SALMON CHK 3-21-95 R. SWING APPD 3-21-95 W. LONG APPD 3-21-95 W. LONG	AMP Incorporated Harrisburg, PA 17105-3608		
MATERIAL SEE TABLE	PRODUCT SPEC -	NAME RECEPTACLE, LOOSE PIECE, MR		
FINISH SEE TABLE	APPLICATION SPEC -	SIZE D	CAGE CODE 00779	DRAWING NO C-641300
	WEIGHT -	SCALE 5:1	SHEET 1 OF 1	

CUSTOMER DRAWING