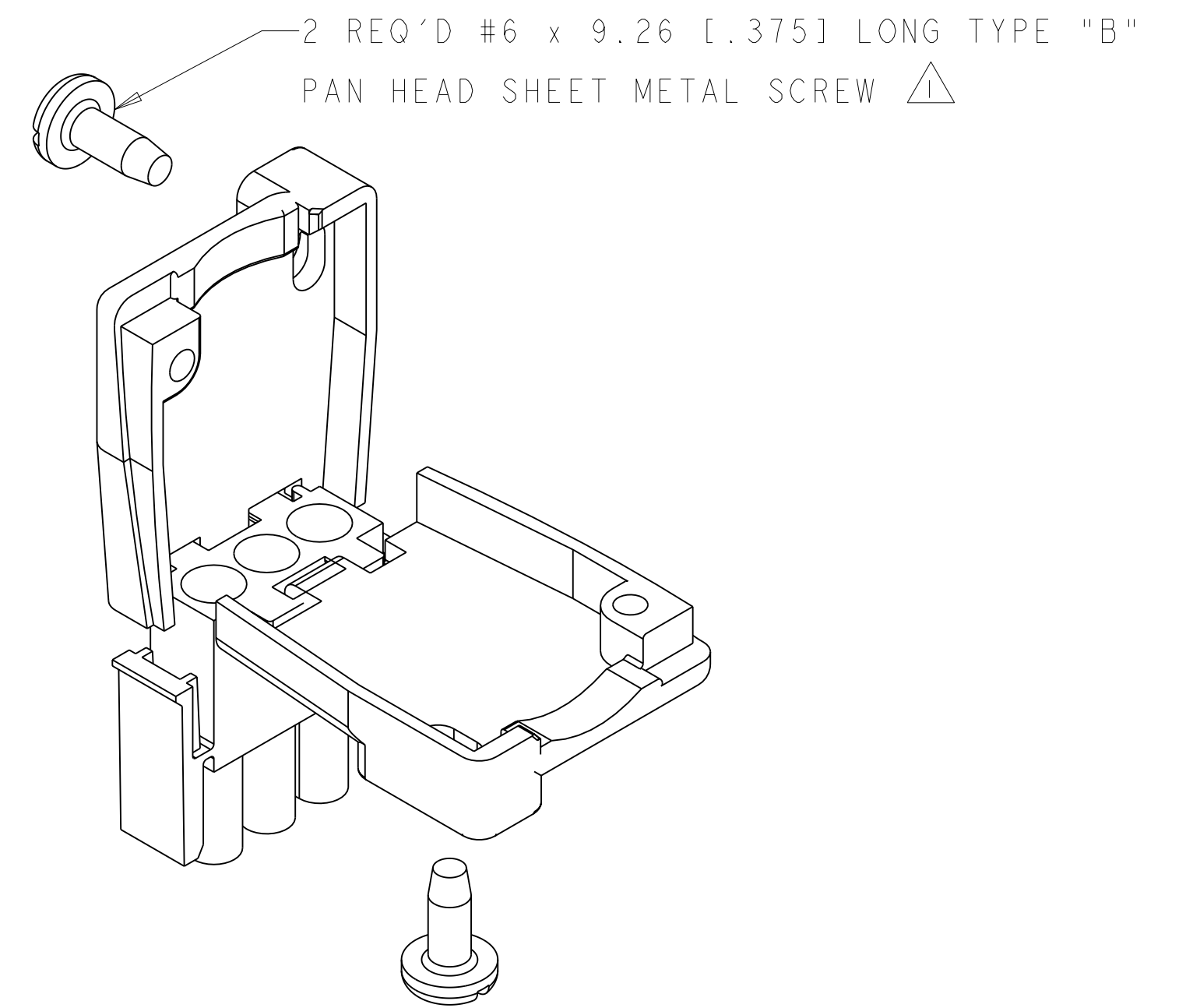
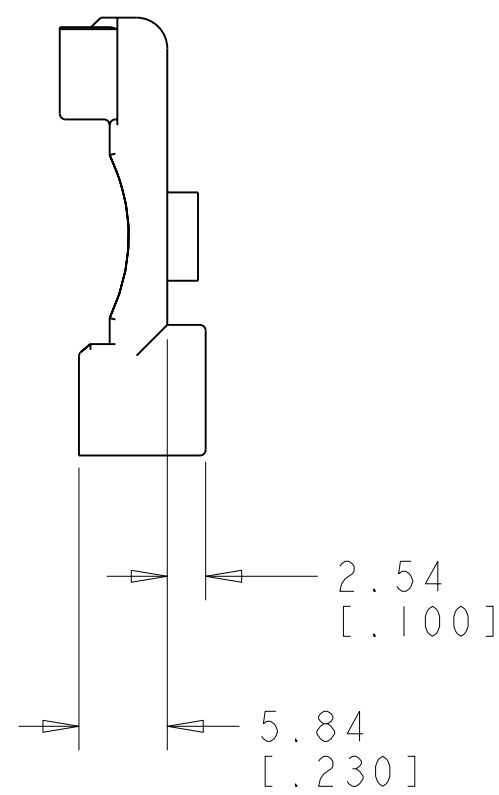
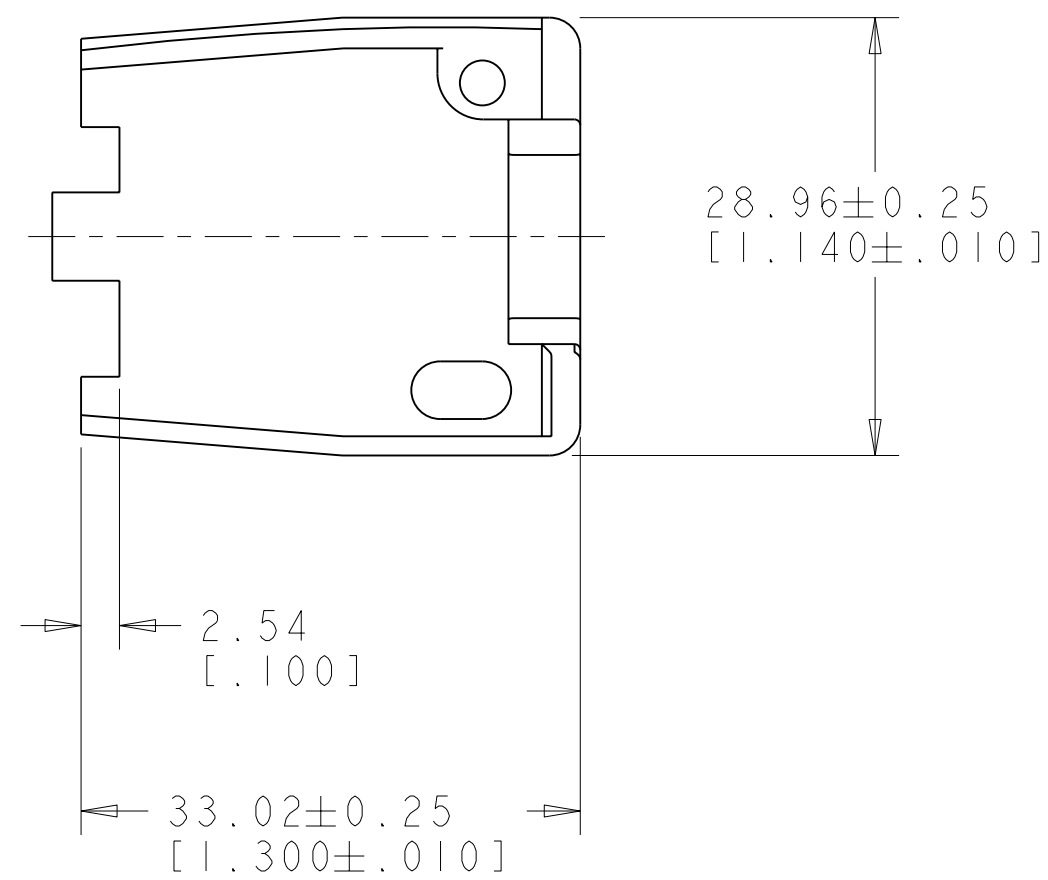
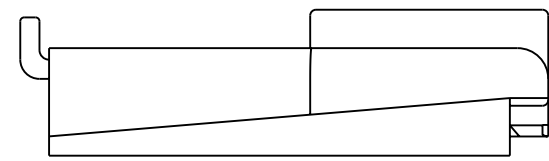


THIS DRAWING IS UNPUBLISHED. RELEASED FOR PUBLICATION 20
 © COPYRIGHT 20 BY TYCO ELECTRONICS CORPORATION. ALL RIGHTS RESERVED.

LOC	DIST	REVISIONS					
CM	00	P	LTR	DESCRIPTION	DATE	DWN	APVD
		C		REVISED PER 0G3B-0243-02	22-MAY-02	KW	SR
		D		REVISED PER ECO-05-014481	30NOV05	KW	SR

- ① SHEET METAL SCREWS NOT SUPPLIED.
- ② TWO REQUIRED PER CONNECTOR.
- 4. DESIGNED TO ACCEPT CABLE WITH 5.08 - 8.89 [.200 - .350] OUTSIDE DIAMETER.



BLACK	641763-2	①
NATURAL	641763-1	①
COLOR	PART NUMBER	

METRIC

<small>THIS DRAWING IS A CONTROLLED DOCUMENT FOR TYCO ELECTRONICS CORPORATION. IT IS SUBJECT TO CHANGE AND THE CONTROLLING ENGINEERING ORGANIZATION SHOULD BE CONTACTED FOR THE LATEST REVISION.</small>		DWN K. WHITAKER 22MAY2002 CHK S. RIDGILL 22MAY2002 APVD S. RIDGILL 22MAY2002	tyco Tyco Electronics Harrisburg, PA 17105-3608
DIMENSIONS: mm [INCHES]	TOLERANCES UNLESS OTHERWISE SPECIFIED: 0 PLC ± 1 PLC ± 2 PLC ±0.13(.005) 3 PLC ± 4 PLC ± ANGLES ± FINISH	PRODUCT SPEC APPLICATION SPEC WEIGHT	NAME STRAIN-RELIEF, UNIVERSAL MATE-N-LOK,™ 3 CIRCUIT
MATERIAL NYLON 94V-2	CUSTOMER DRAWING	SIZE A2 CAGE CODE 00779 DRAWING NO C=641763	RESTRICTED TO SCALE 2:1 SHEET 1 OF 1 REV D