

Distributed by:

JAMECO[®]
ELECTRONICS

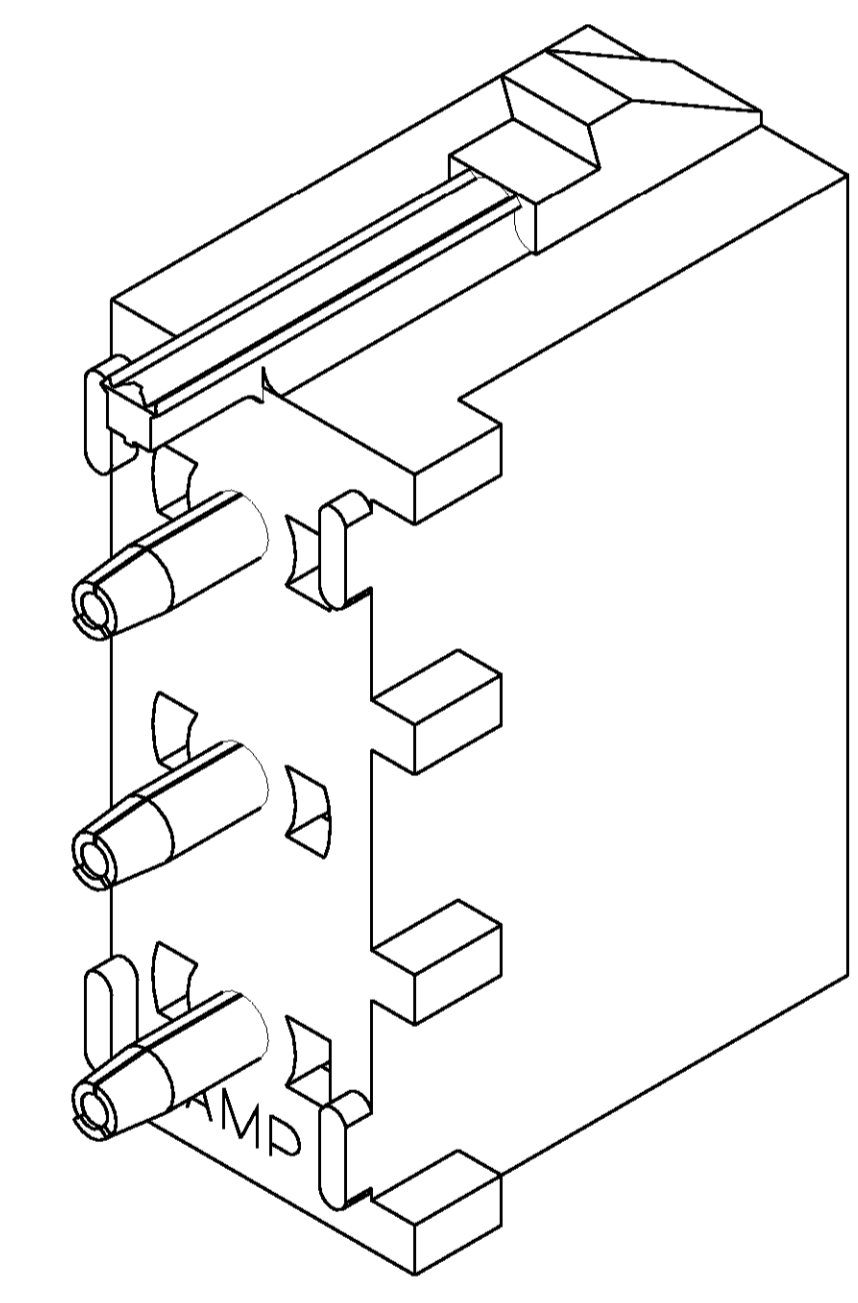
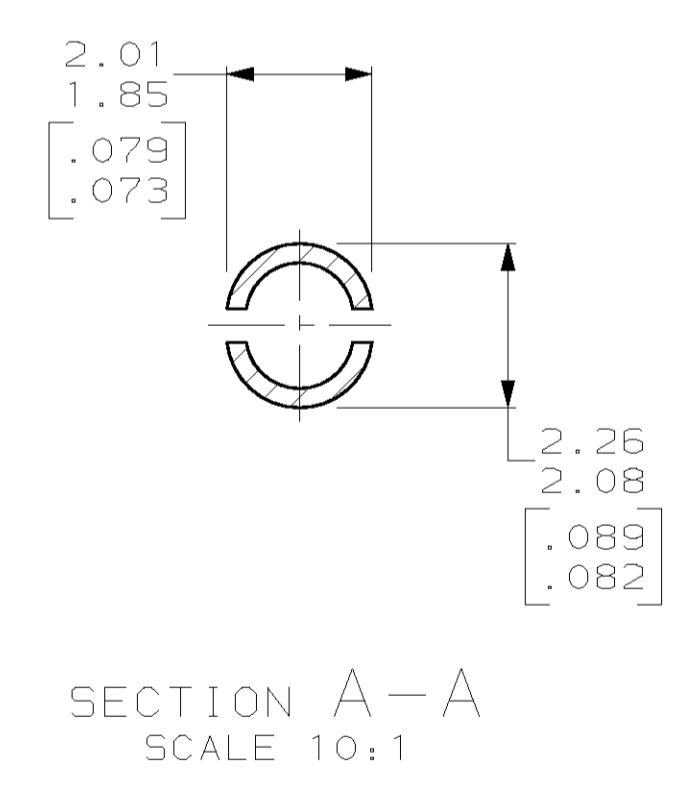
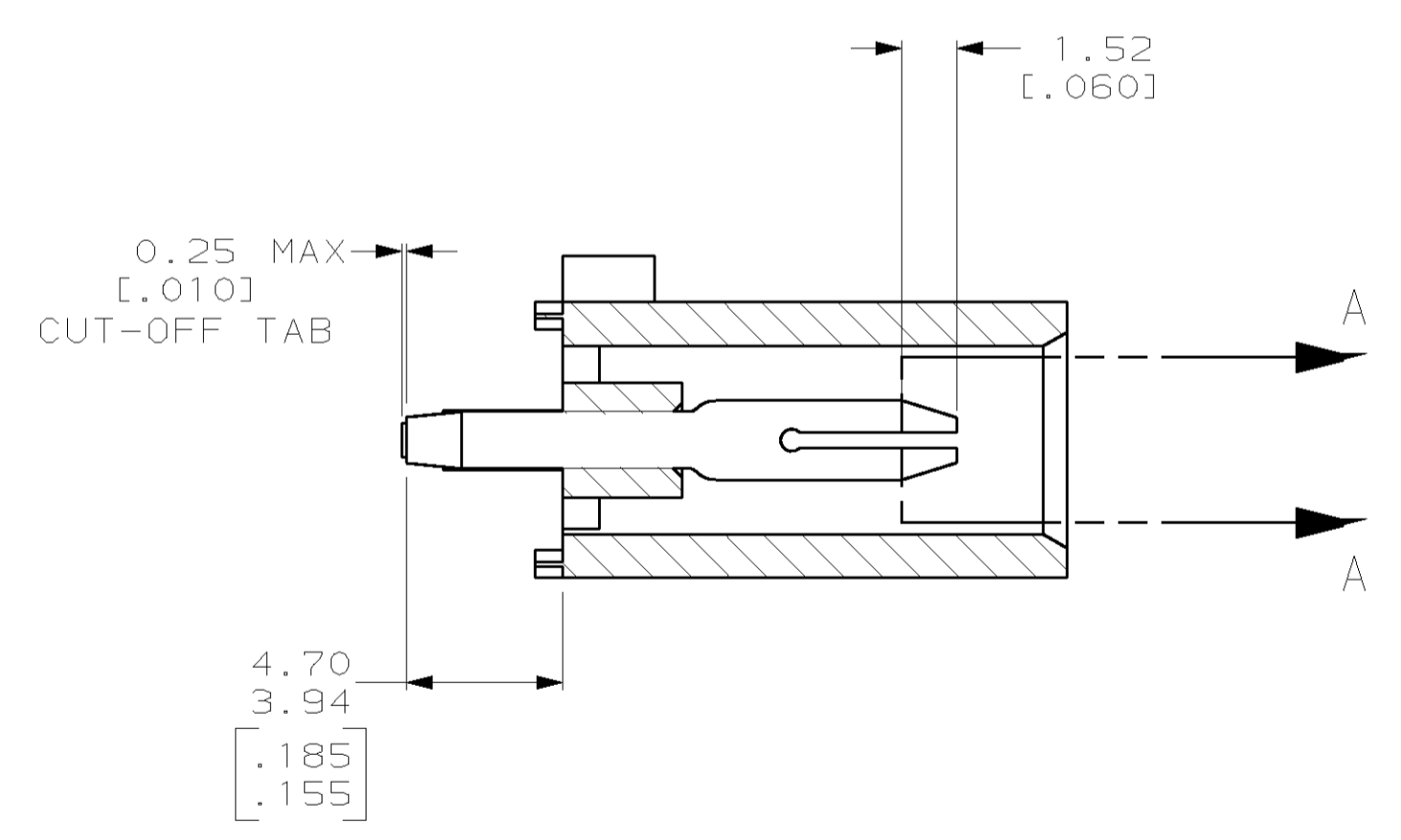
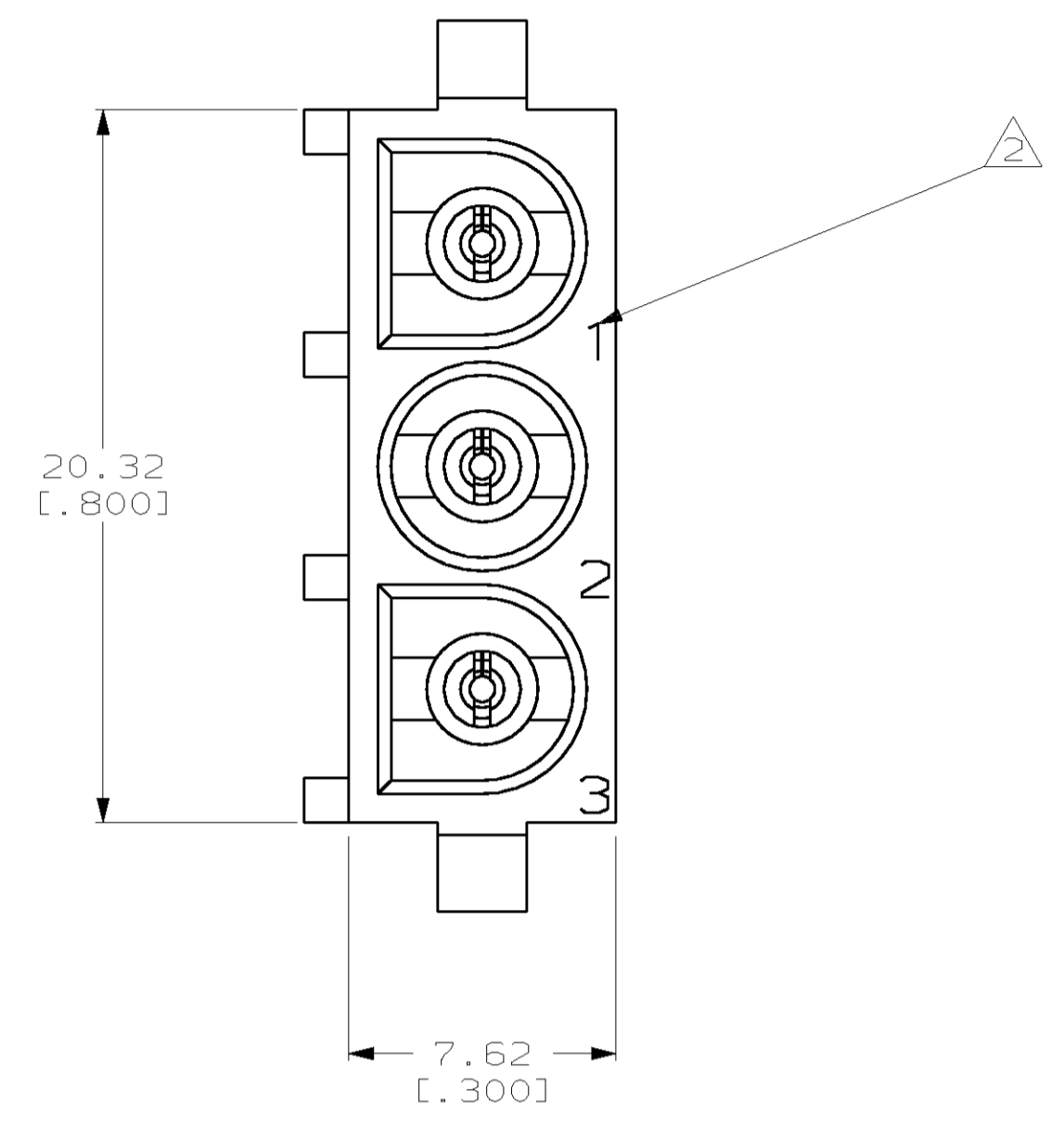
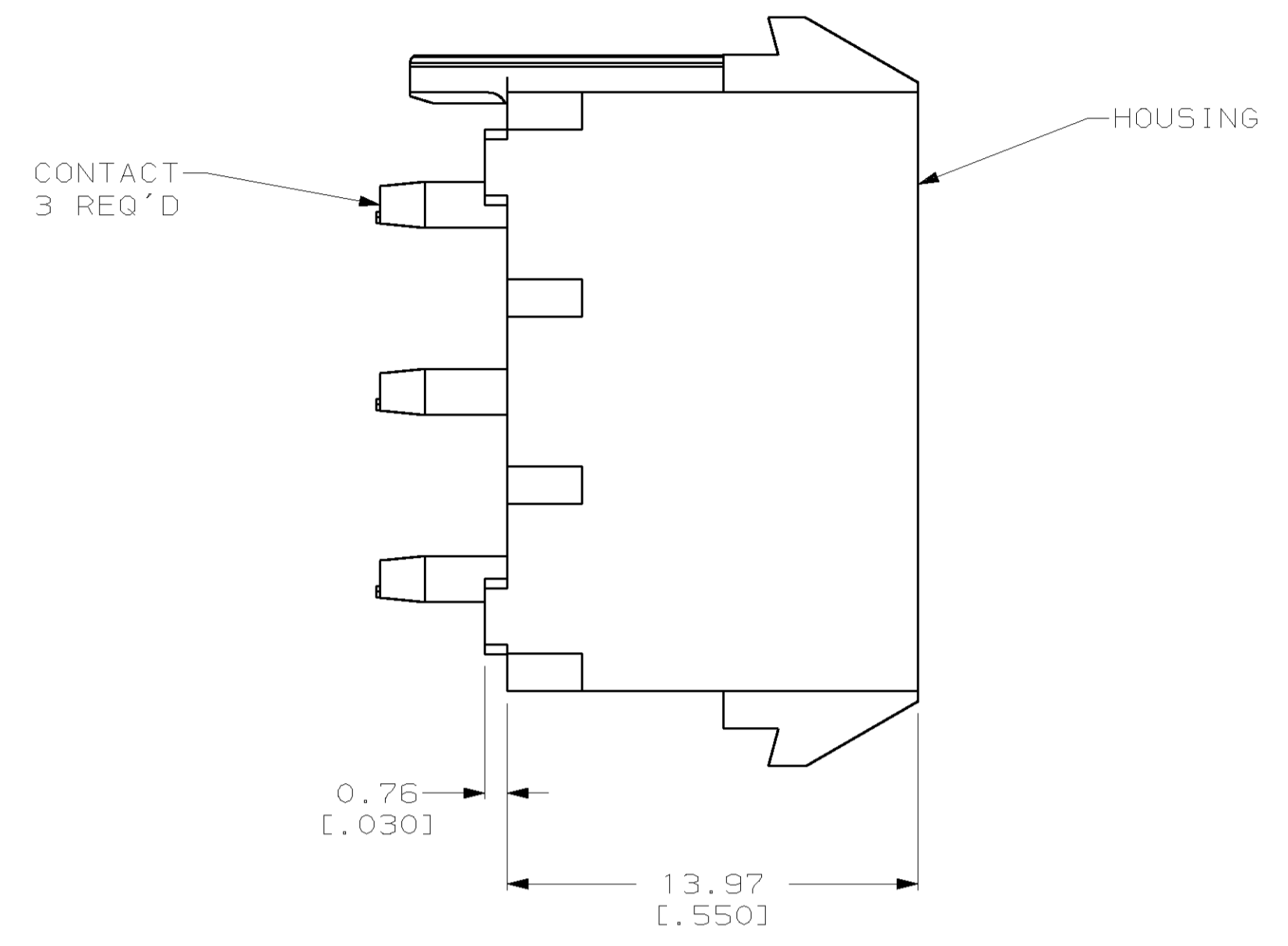
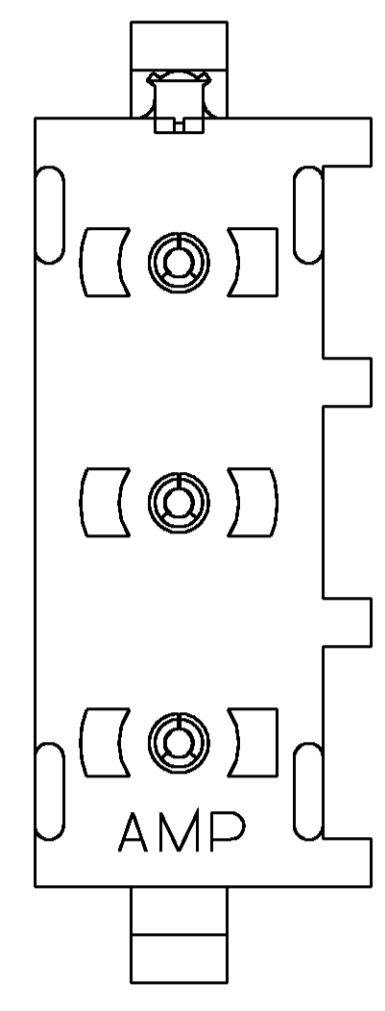
www.Jameco.com ♦ 1-800-831-4242

The content and copyrights of the attached
material are the property of its owner.

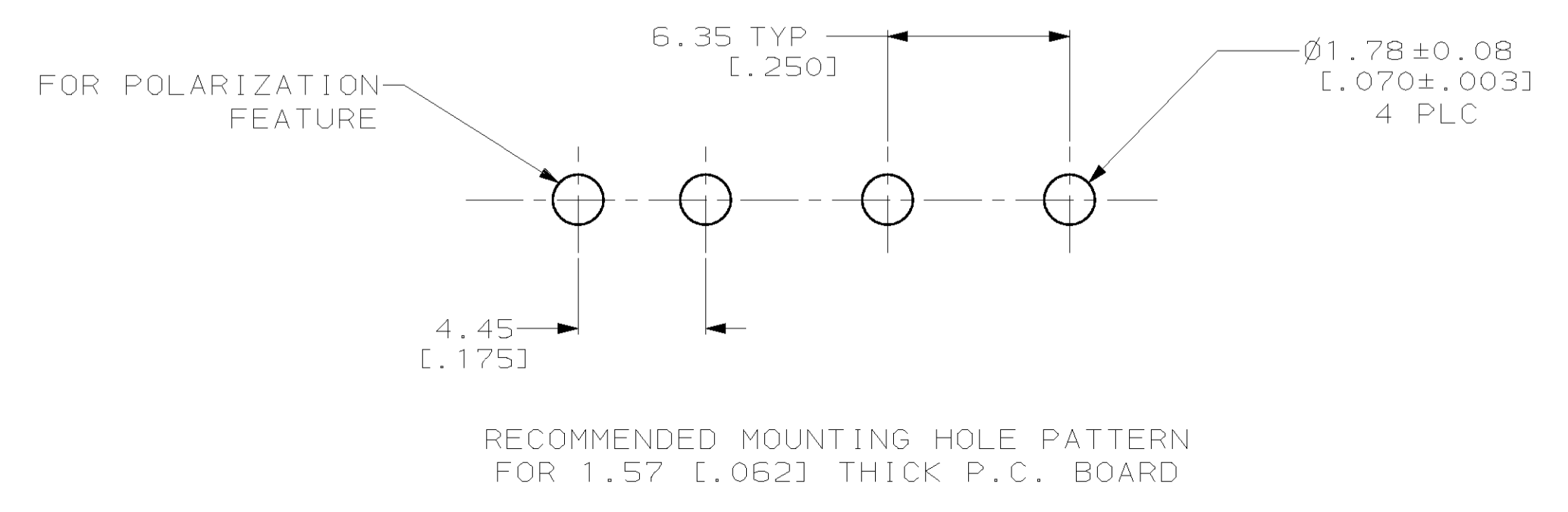
Jameco Part Number 857143

LOC	DIST	REVISIONS			
F	CHR	DESCRIPTION	DATE	OWN	APVD
L	REV & REDWN PER EC	0638-0222-99	07-JAN-00	LM	KC

- PARTS COMPLY TO AMP SOLDERABILITY SPECIFICATION 109-11-3.
- CIRCUIT IDENTIFICATION CHARACTERS ARE ADJACENT TO THE INDICATED CAVITIES, BUT LOCATION AND ORIENTATION MAY DIFFER FROM PRINT.
- DIMENSIONS IN BRACKETS ARE IN INCHES.



3-DIMENSIONAL MODEL
NTS



PHOSPHOR BRONZE, PRE-TIN PIN CONTACT MATERIAL AND FINISH	NYLON, UL94V-2, NATURAL HOUSING MATERIAL	641965-1 PART NO
THIS DRAWING IS A CONTROLLED DOCUMENT. DIMENSIONS: mm (INCHES) TOLERANCES UNLESS OTHERWISE SPECIFIED: 0 PLC ± 1 PLC ± 2 PLC ±0.13 (.005) 3 PLC ± 4 PLC ± ANGLES 40°-90° MATERIAL SEE TABLE FINISH SEE TABLE		DWN L. McEACHIN 07-JAN-2000 CHK K. COBLE 07-JUN-2000 APVD K. COBLE 07-JUN-2000 NAME AMP Incorporated Harrisburg, PA 17105-3608 PRODUCT SPEC APPLICATION SPEC SIZE A1 CAGE CODE 00779 DRAWING NO C-641965 WEIGHT CUSTOMER DRAWING SCALE 5:1 SHEET 1 OF 1 REV L

