

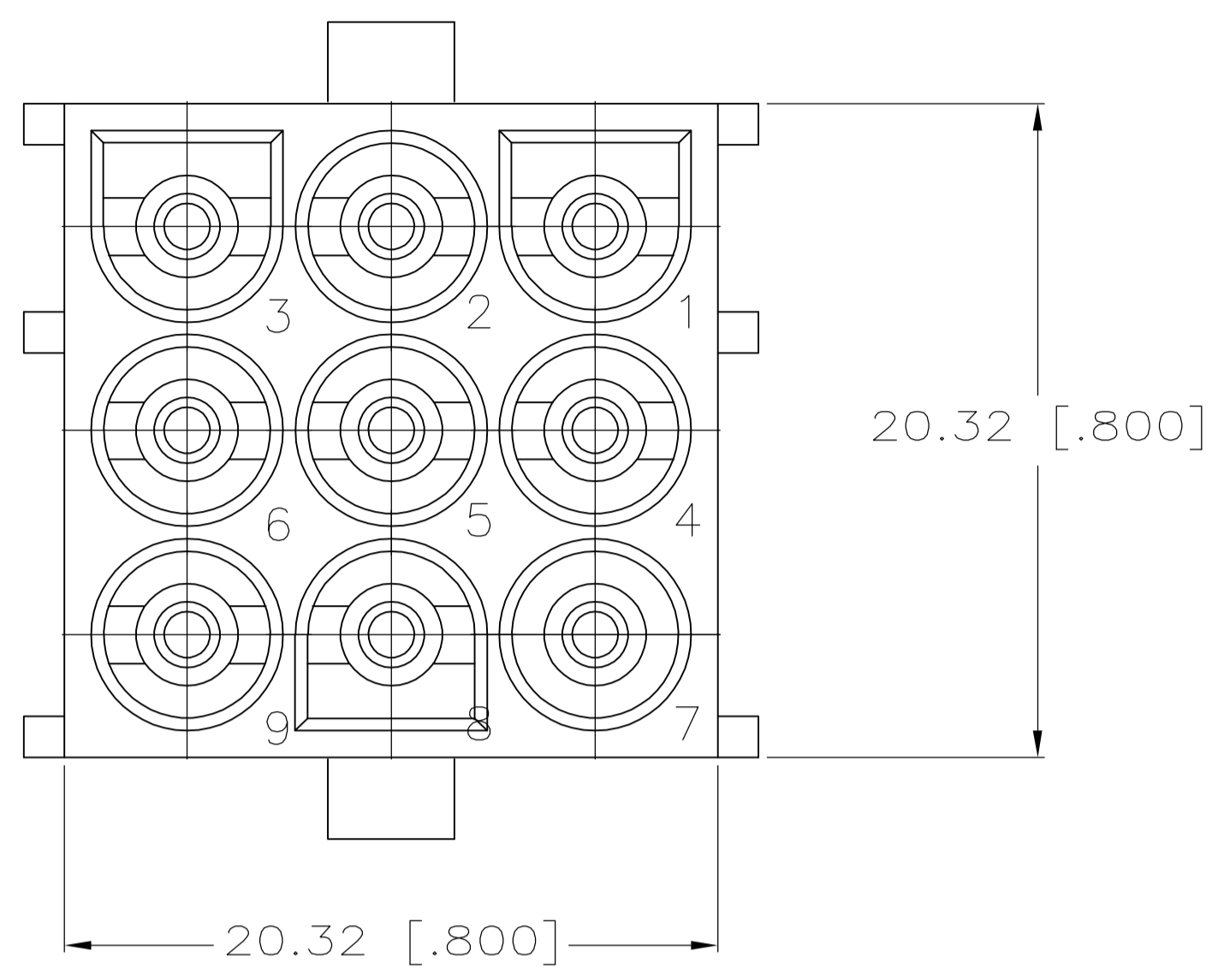
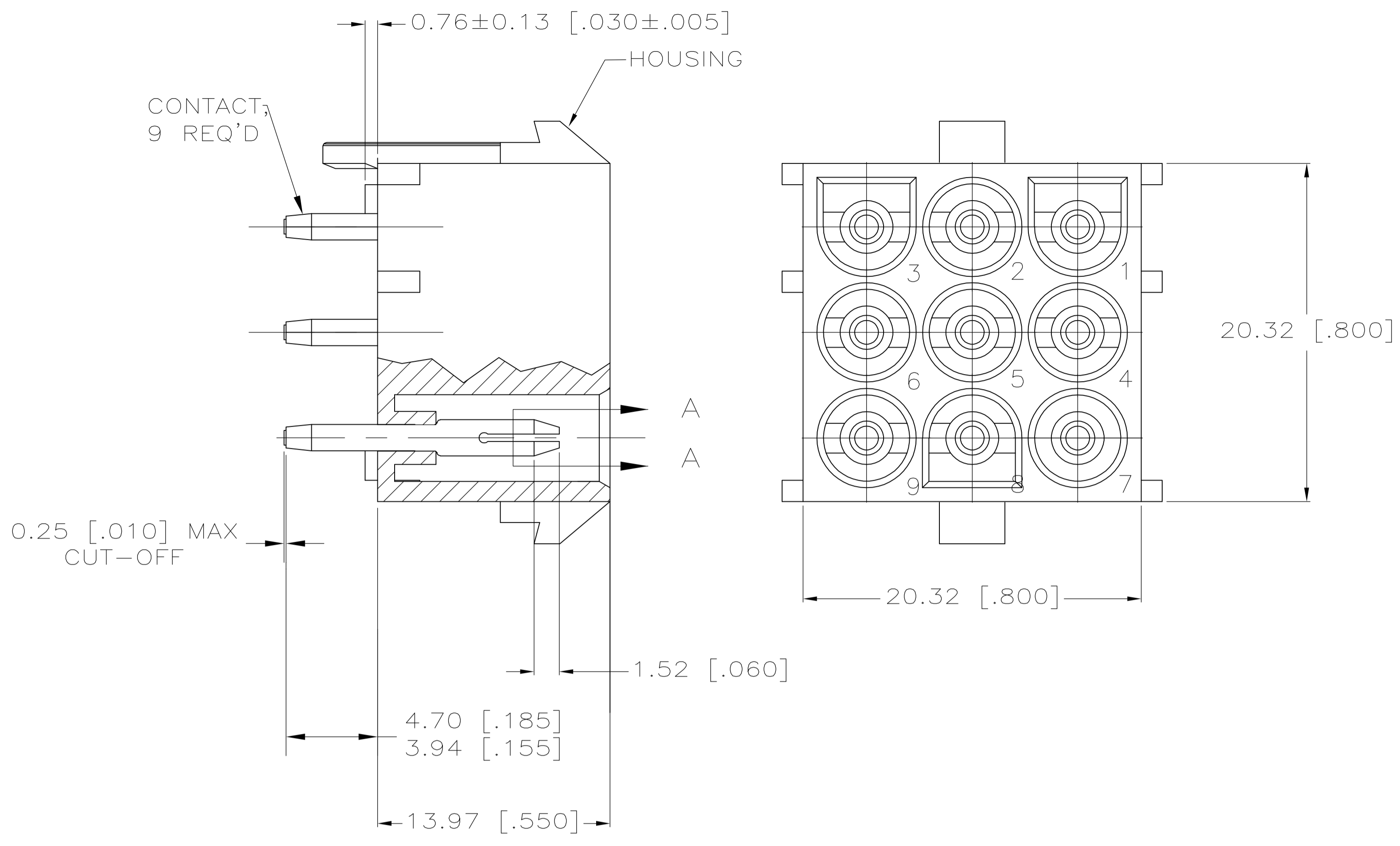
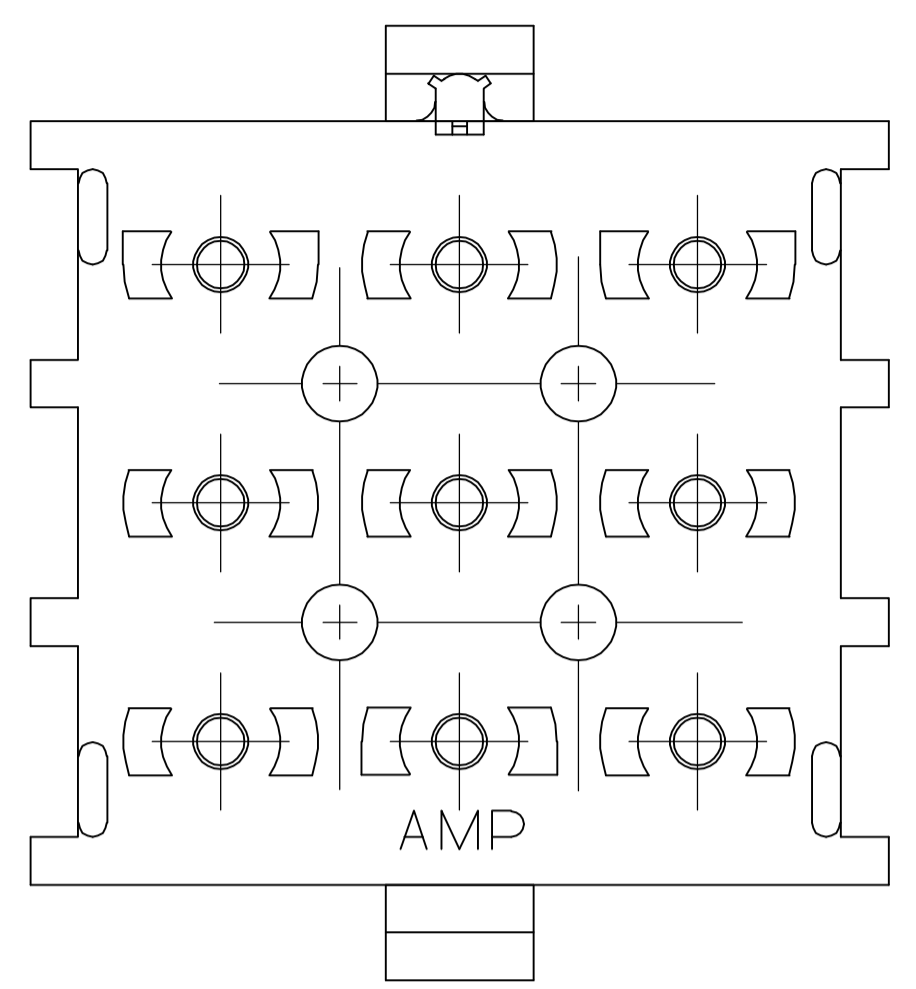
Distributed by:

**JAMECO**<sup>®</sup>  
ELECTRONICS

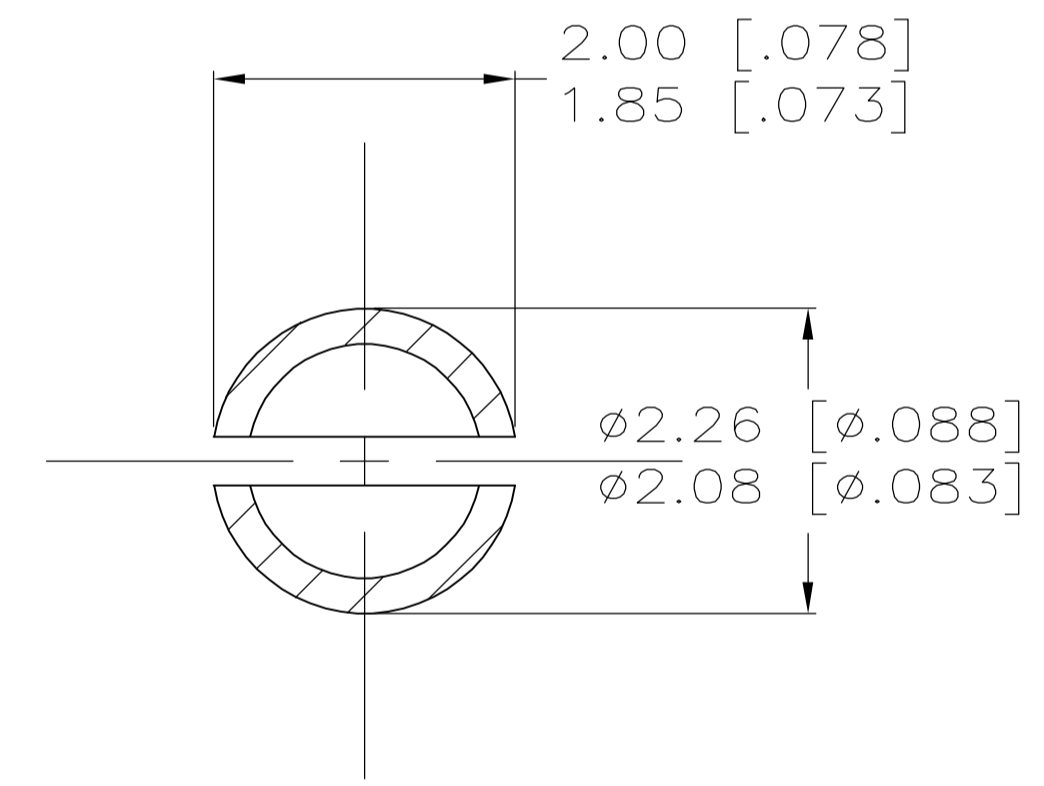
**www.Jameco.com ♦ 1-800-831-4242**

The content and copyrights of the attached  
material are the property of its owner.

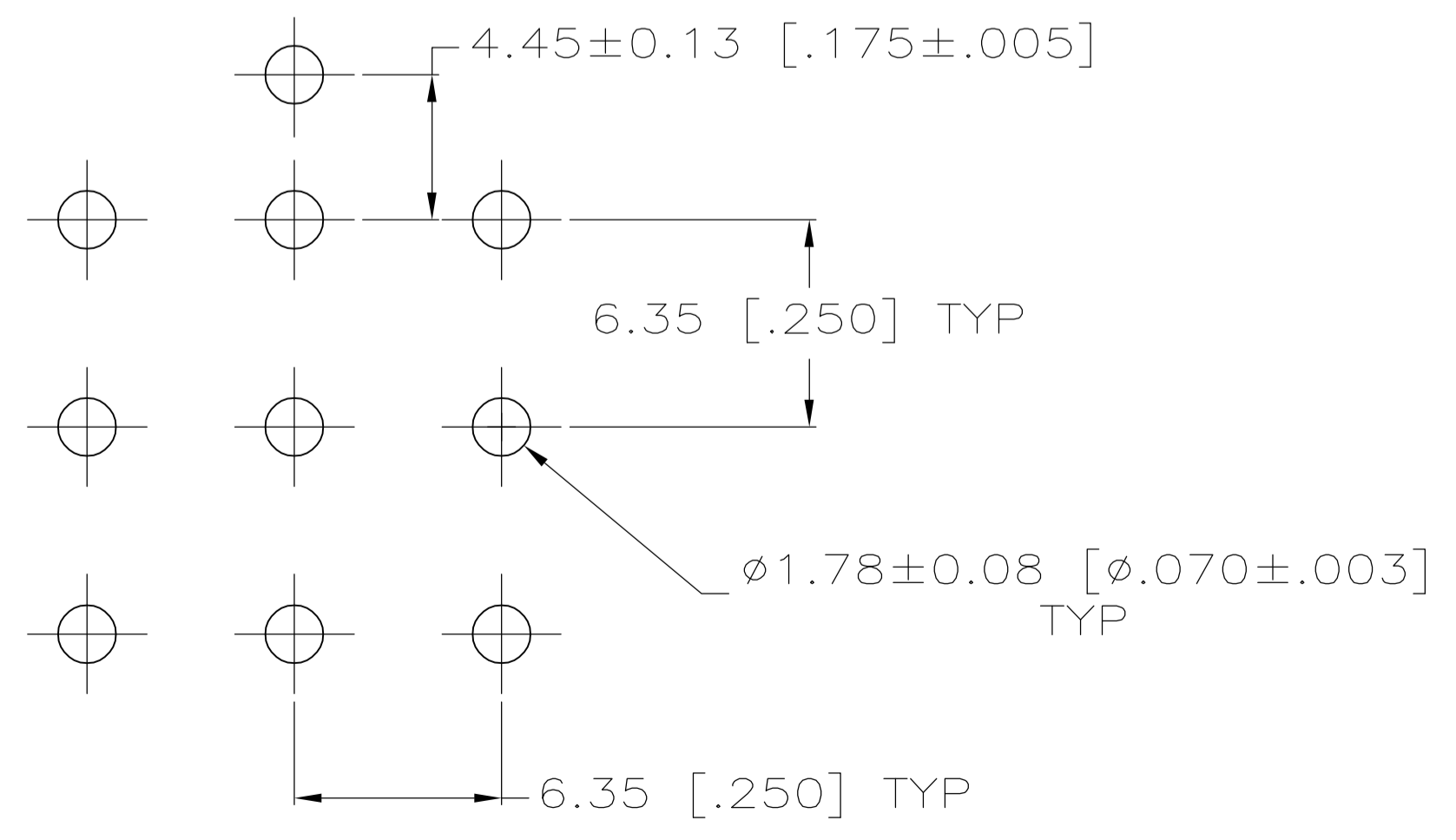
Jameco Part Number 857311



- PARTS MUST COMPLY WITH AMP SOLDERABILITY SPEC 109-11-3.
- CONTACT IS STAMPED FROM PRE-PLATED STOCK WHICH IS PLATED OVERALL WITH 0.00127 [.000050] NICKEL, THEN STRIPED WITH 0.00076 [.000030] GOLD IN CONTACT AREA INDICATED AND TIN-LEAD ON SOLDER TAIL END.
- CIRCUIT IDENTIFICATION CHARACTERS ARE ADJACENT TO THE INDICATED CAVITIES, BUT LOCATION AND ORIENTATION MAY DIFFER FROM PRINT.
- CONTACT IS PLATED OVERALL WITH 0.00127 [.000050] NICKEL, THEN 0.00076 [.000030] GOLD OVER CONTACT LENGTH INDICATED AND MATTE TIN ON SOLDER TAIL END.

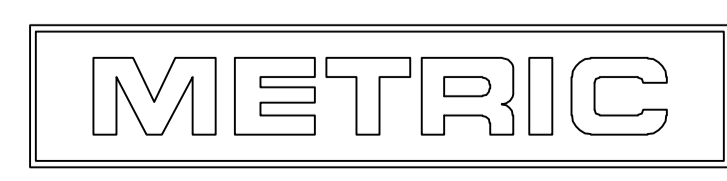


SECTION A-A  
SCALE 12:1



RECOMMENDED LAYOUT FOR 1.58 [.062] THICK PC BOARD

PH BRZ GOLD $\triangle$ 4	NYLON, UL94V-2	641971-3
PH BRZ GOLD $\triangle$ 2	NYLON, UL94V-2	641971-2
PH BRZ TIN	NYLON, UL94V-2	641971-1
CONTACT	HOUSING	PART NO



THIS DRAWING IS A CONTROLLED DOCUMENT.

DIMENSIONS: mm (INCHES)	TOLERANCES UNLESS OTHERWISE SPECIFIED:	OWN K. WHITAKER	14OCT2005	 Tyco Electronics Corporation Harrisburg, PA 17105-3608
0 PLC ±	1 PLC ±	CHK S. RIDGILL	14OCT2005	
2 PLC ±	3 PLC ±	APVD S. RIDGILL	14OCT2005	NAME S. RIDGILL
4 PLC ±	ANGLES ±	PRODUCT SPEC	APPLICATION SPEC	HEADER ASSEMBLY, PIN, POLARIZED, UNIVERSAL MATE-N-LOK(TM), 9 CIRCUIT
MATERIAL SEE CHART	FINISH	SIZE	CAGE CODE	DRAWING NO
		WEIGHT	A1	00779
		CUSTOMER DRAWING	SCALE	5:1
			SHEET	1 OF 1
			REV	M