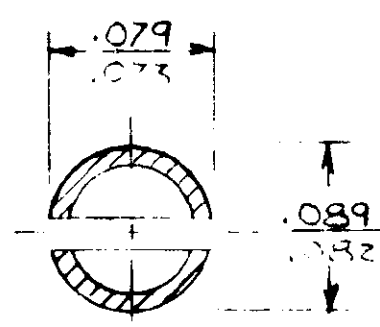
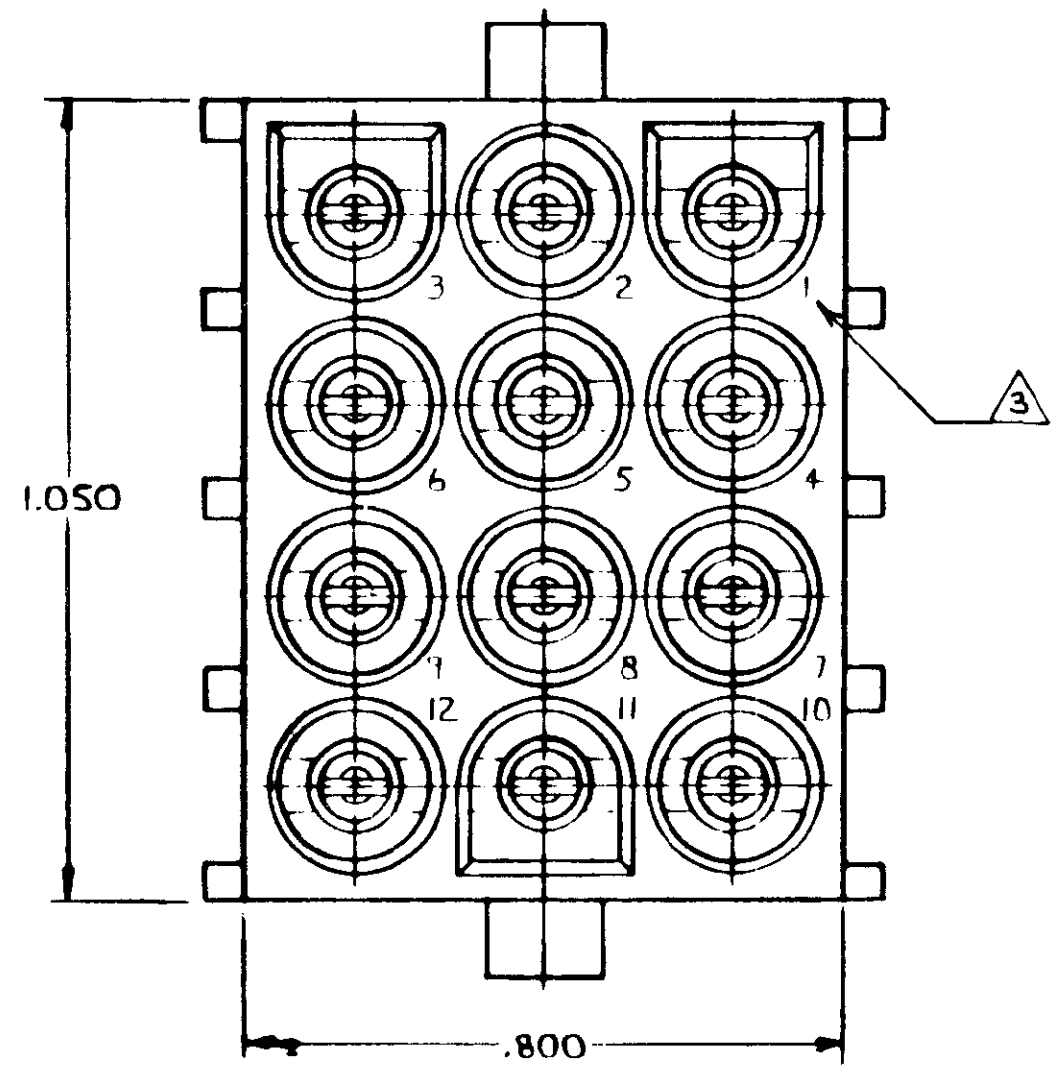
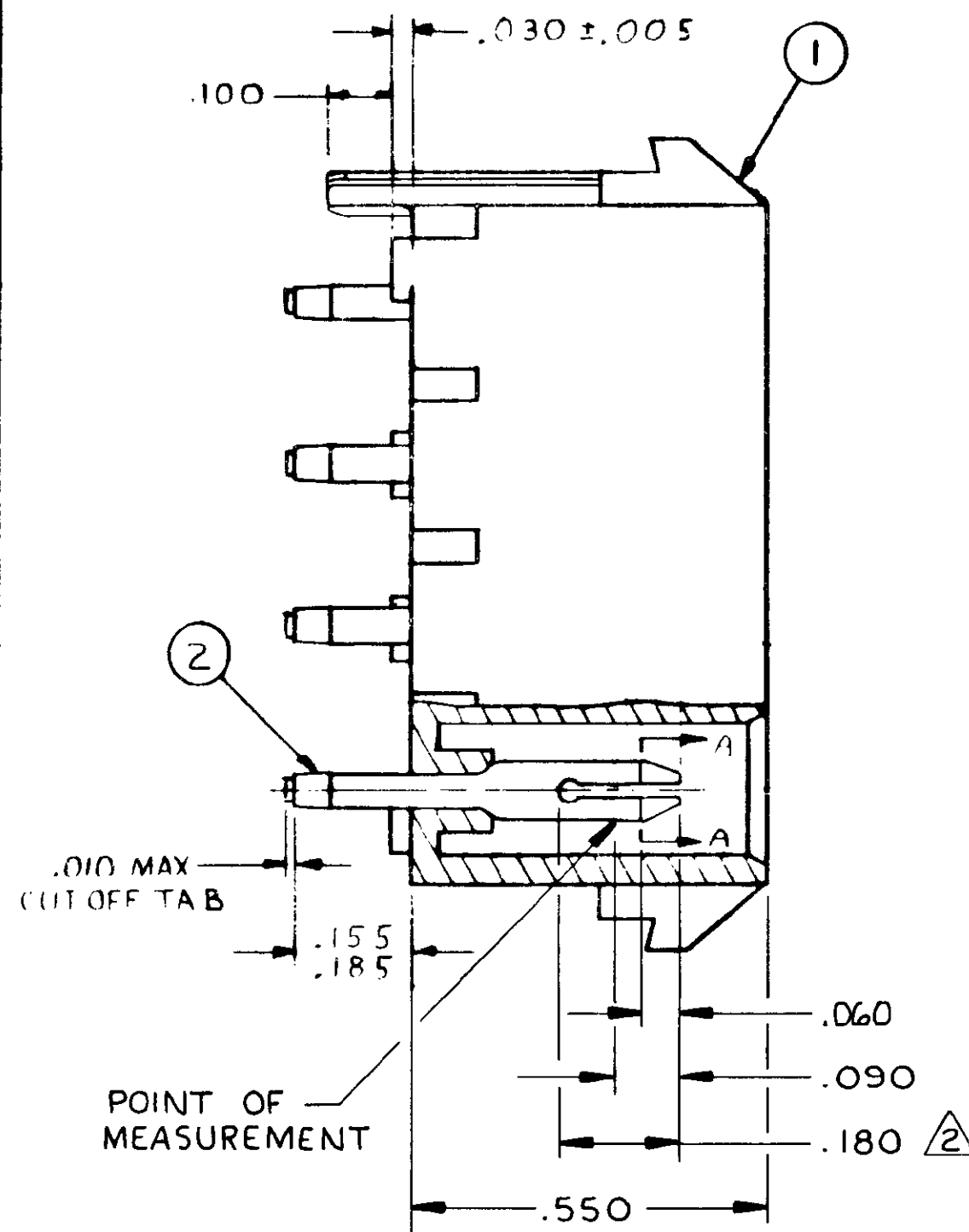
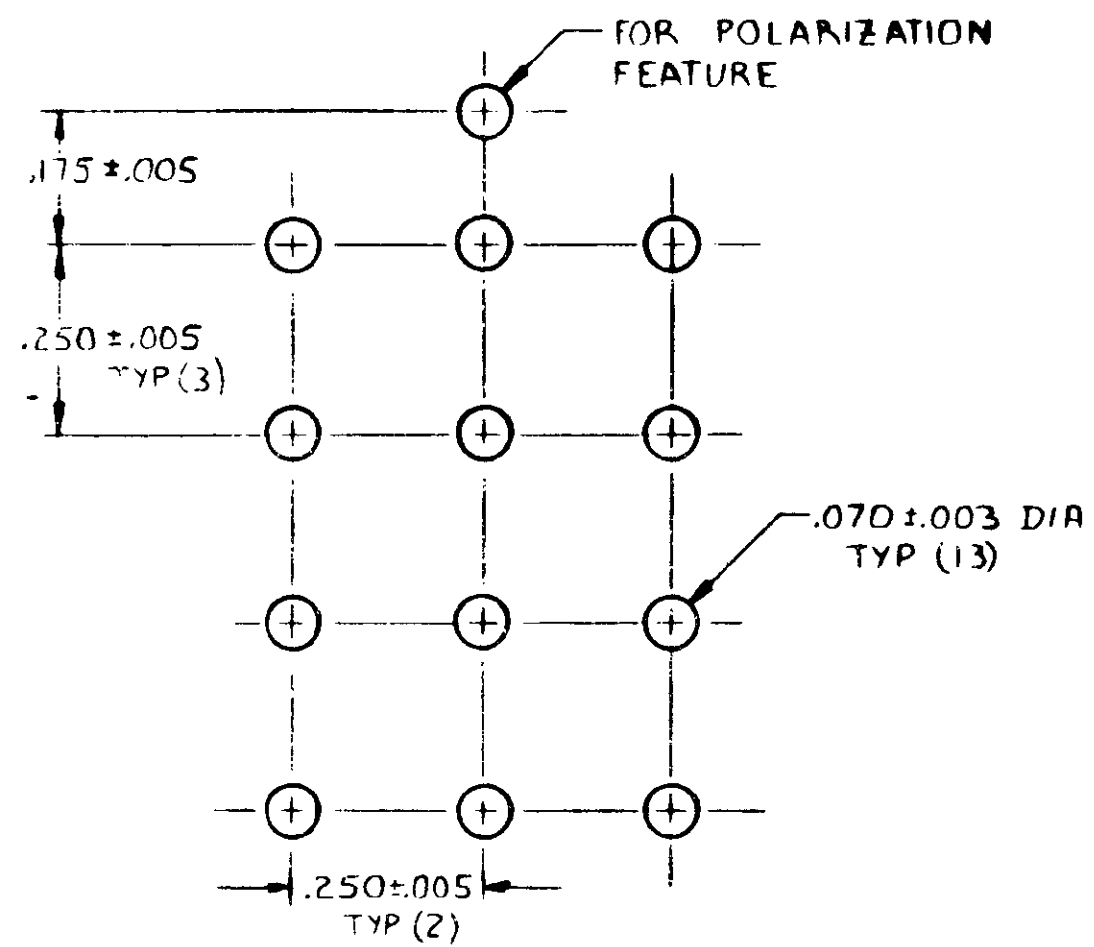


THIS DRAWING IS UNPUBLISHED. RELEASED FOR PUBLICATION
 © COPYRIGHT 19 BY AMP INCORPORATED, HARRISBURG, PA. ALL INTERNATIONAL RIGHTS RESERVED. AMP PRODUCTS MAY BE COVERED BY U.S. AND FOREIGN PATENTS AND/OR PATENTS PENDING.

P	F	ZONE	LTR	DESCRIPTION	DATE	APPROVED
✓				D RELEASE DRAWING PER M-6672	11/18/81	MISF/LH
✓			A	ADDED DRAIN HOLES M-6977	2/1/82	DAV/LH
✓			B	ADDED SECT. A-A M-7157	2/1/83	DAV/LH
✓			C	REV PER ECN M-7384	9/13/83	TFB/SJ
✓			C1	RESTORATION	8-1-85	LS/SJ
✓			D	ADDED -2 PER TTI CM85-74	9/18/85	CM/RS
✓			E	OBSOLETE -2 PER CM-947	7-14-87	PKC
✓			F	REVISE PER CM-1511	2-10-88	PKC RS
✓			G	REVISED PER CM-3328	2-19-91	PKC RS
✓			H	REV PER ECN 0730-3928-92	1-8-93	NJC RS
✓			J	REVISED PER EC 0730-4181-93	7-6-93	LHS RS
✓			K	REVISED PER ECO730-0111-95	8-28-95	JH RS



SECTION A-A
SCALE 10:1



RECOMMENDED LAYOUT FOR
 .062 THICK P.C. BOARD
 (TOLERANCES NON-CUMULATIVE
 WITHIN .250 GRID PATTERN)

- 1. PARTS COMPLY WITH AMP SOLDERABILITY SPEC 109-11-3.
- 2 CONTACT IS PLATED OVERALL WITH .000050 NICKEL, THEN .000030 GOLD OVER CONTACT LENGTH INDICATED AND MATTE TIN ON SOLDER TAIL END.
- 3 CIRCUIT IDENTIFICATION CHARACTERS ARE ADJACENT TO THE INDICATED CAVITIES, BUT LOCATION AND ORIENTATION MAY DIFFER FROM PRINT.

FINISH	PLATE-TIN	FINISH	BRZ	12	CONTACT	2	641973-1
FINISH	NATURAL	MATERIAL	NYLON 14V-2	1	HOUSING	1	
FINISH		MATERIAL		NO PER ASSEMBLY	ITEM NO		PART NO

UNLESS OTHERWISE SPECIFIED DIMENSIONS ARE IN INCHES TOLERANCES ON: DECIMALS ± .015 ANGLES ±	CONTRACT NO	AMP INCORPORATED Harrisburg, Pa. 17105	
	DR <i>M. Foker 11-81</i>		
MATERIAL SEE TABLE	CHK <i>D. S. H. 11/1/81</i>	NAME PIN HEADER ASSEMBLY, UNIVERSAL MATE-N-LOK™, 12 CIRCUIT	
	APPD <i>[Signature]</i>	SIZE	FSCM NO
FINISH SEE TABLE	OTHER APPD	C	00779
		SCALE	4-1
		DRAWING NO	641973
		SHEET	

641973