

Distributed by:

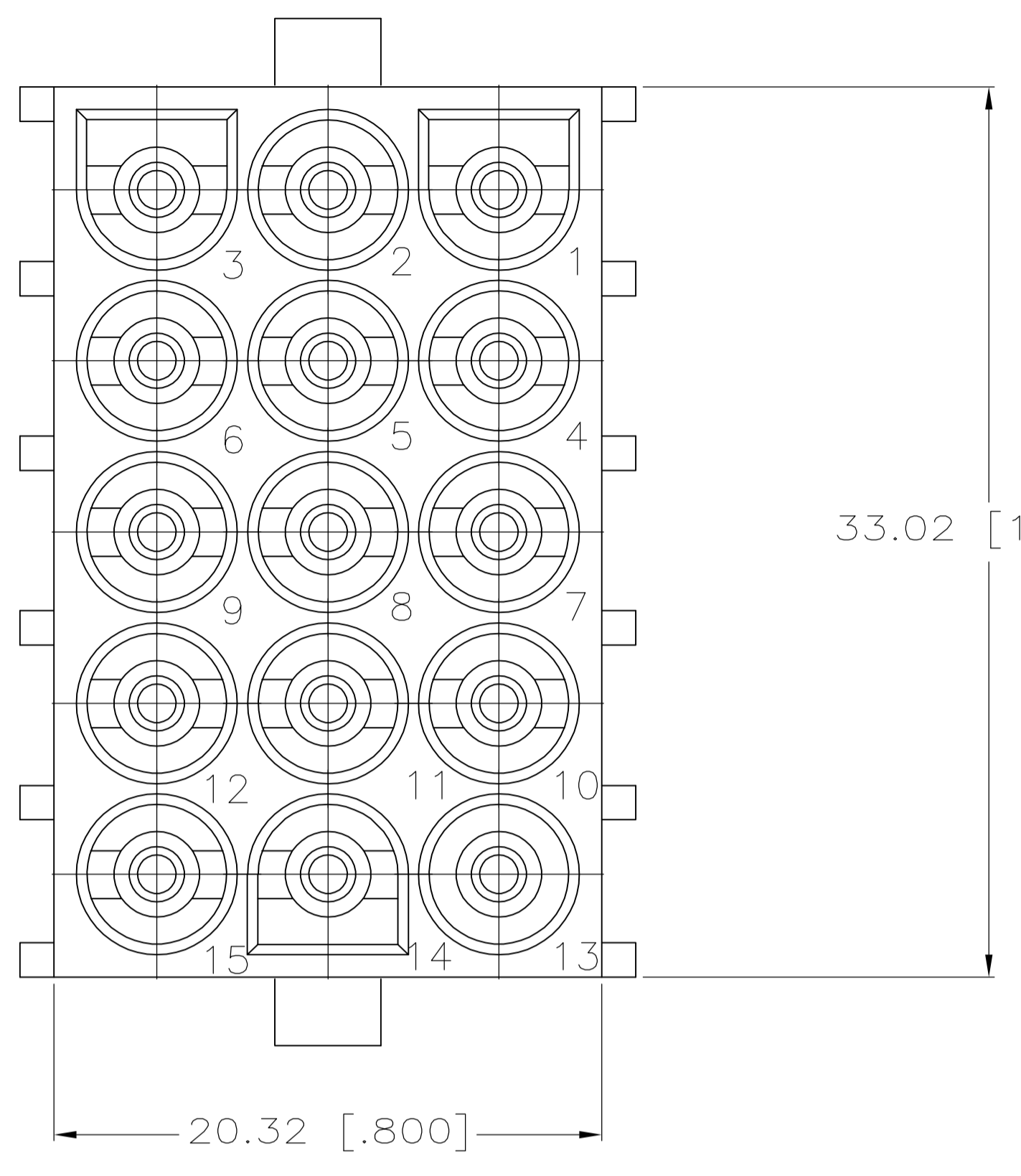
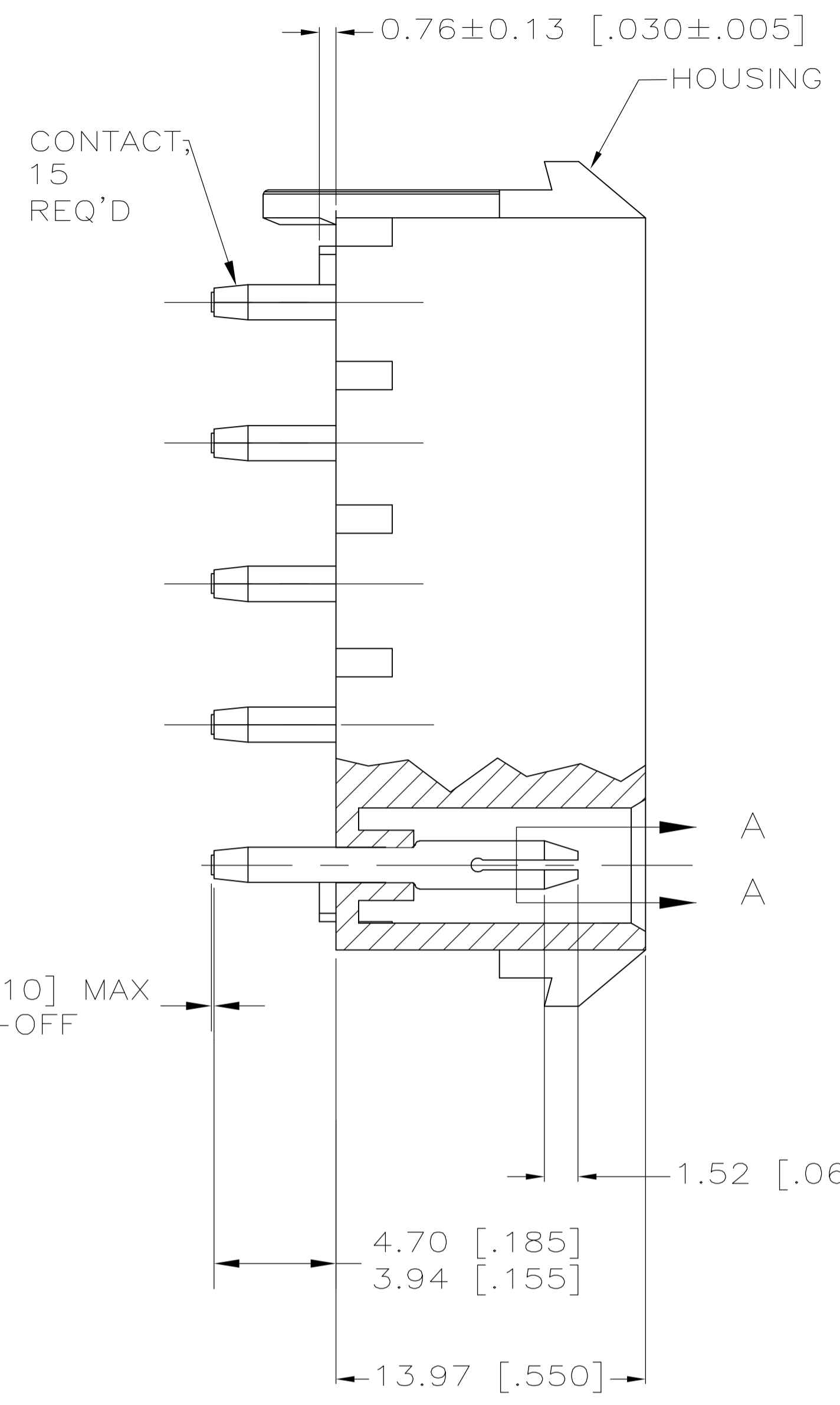
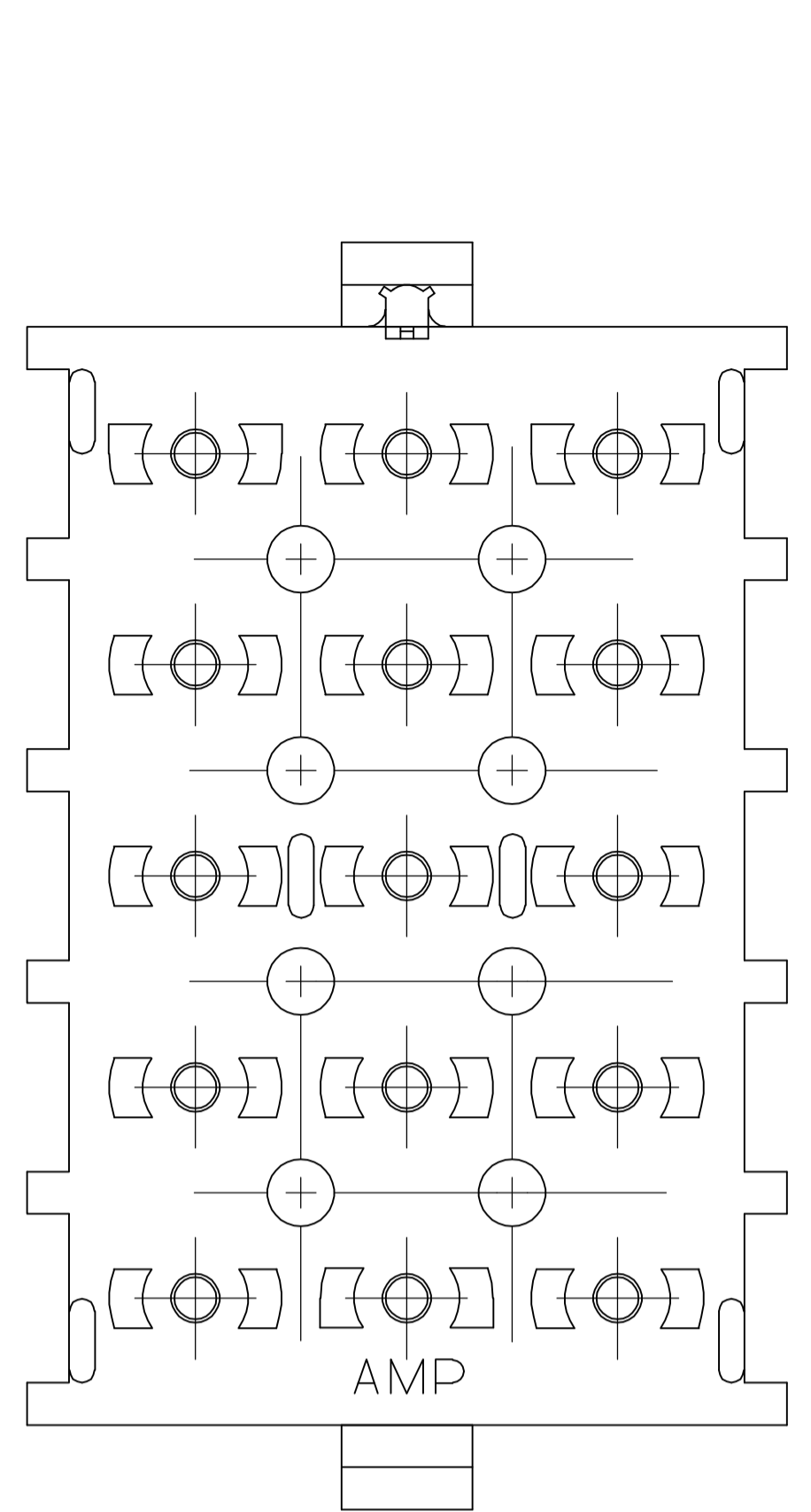
**JAMECO**<sup>®</sup>  
ELECTRONICS

**www.Jameco.com ♦ 1-800-831-4242**

The content and copyrights of the attached  
material are the property of its owner.

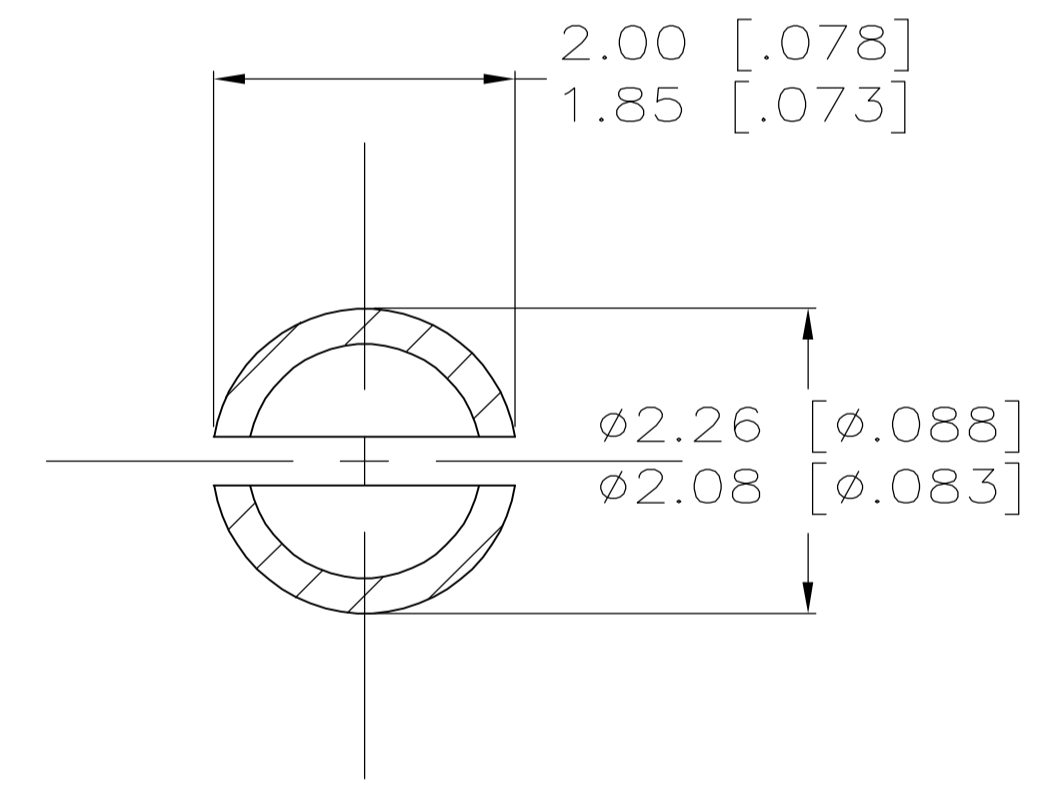
Jameco Part Number 756318

LOC		DIST		REVISIONS			
CM	00	REV	DATE	BY	CHKD	APVD	
K		REVISED PER	DC38-1208-04	14OCT2005	KW	SR	

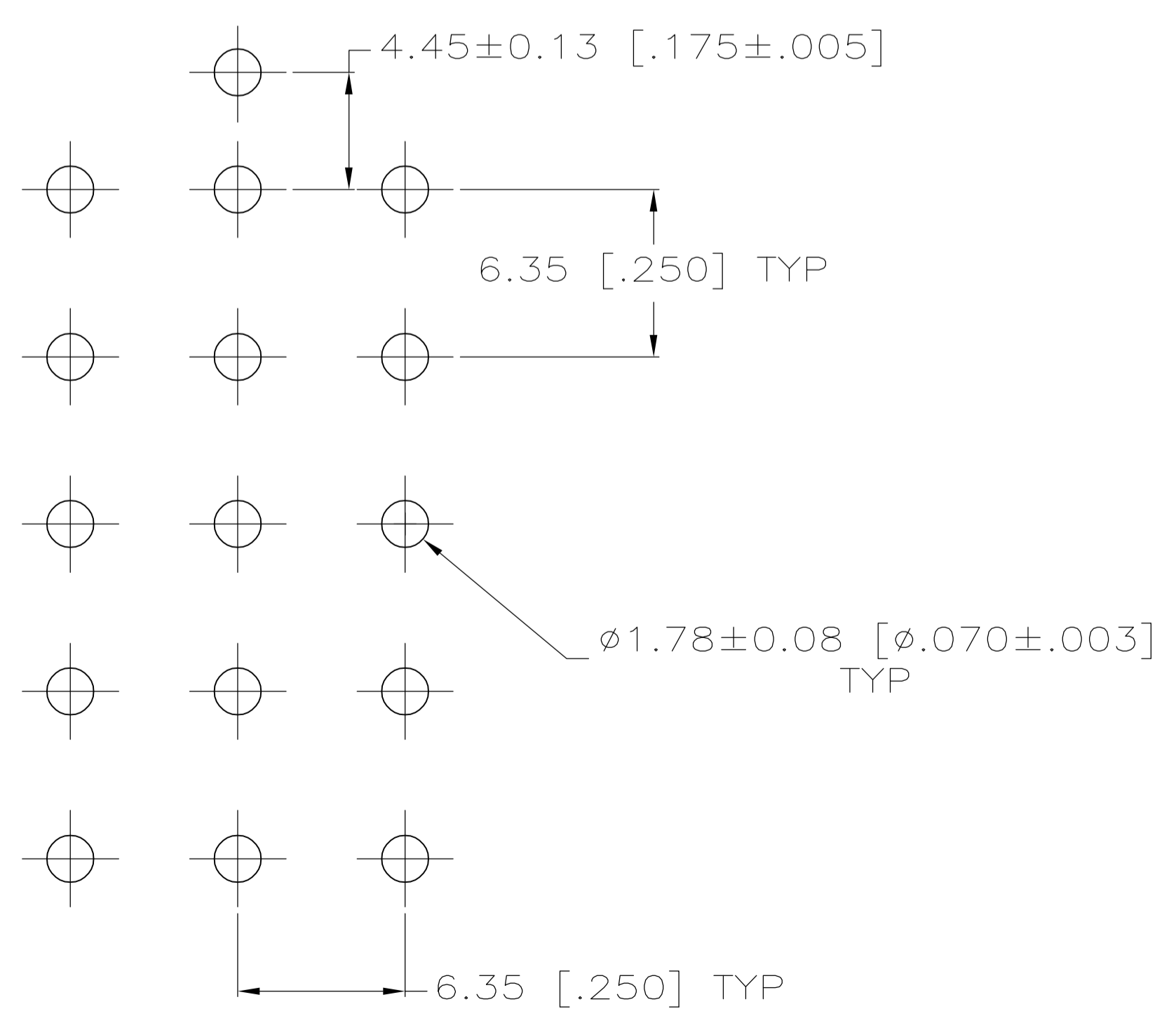


- PARTS MUST COMPLY WITH AMP SOLDERABILITY SPEC 109-11-3.
- MATES WITH HOUSING NO. 350736 USING SOCKET CONTACTS.
- CONTACT IS STAMPED FROM PRE-PLATED STOCK WHICH IS PLATED OVERALL WITH 0.00127 [.000050] NICKEL, THEN STRIPED WITH 0.00076 [.000030] GOLD IN CONTACT AREA INDICATED AND TIN-LEAD ON SOLDER TAIL END.
- CONTACT IS PLATED OVERALL WITH 0.00127 [.000050] NICKEL, THEN 0.00076 [.000030] GOLD OVER CONTACT LENGTH INDICATED AND MATTE TIN ON SOLDER TAIL END.

0.25 [.010] MAX CUT-OFF

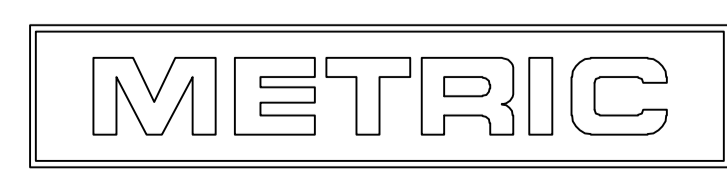


SECTION A-A  
SCALE 12:1



RECOMMENDED LAYOUT FOR 1.58 [.062] THICK PC BOARD

PH BRZ GOLD $\Delta$ 4	NYLON, UL94V-0	641976-4
PH BRZ GOLD $\Delta$ 3	NYLON, UL94V-0	641976-2
PH BRZ TIN	NYLON, UL94V-0	641976-1
CONTACT	HOUSING	PART NO



THIS DRAWING IS A CONTROLLED DOCUMENT.

DIMENSIONS: mm (INCHES)	TOLERANCES UNLESS OTHERWISE SPECIFIED:	0 PLC ±	1 PLC ±	2 PLC ±	3 PLC ± 0.13 [.005]	4 PLC ±	ANGLES ±	FINISH
-------------------------	--	---------	---------	---------	---------------------	---------	----------	--------

MATERIAL	SEE CHART	APVD	S. RIDGILL	19-NOV-2003	NAME	S. RIDGILL	19-NOV-2003	APPLICATION SPEC	SIZE	A1	DATE CODE	00779	DRAWING NO	641976	RESTRICTED TO				
CUSTOMER DRAWING												SCALE	5:1	SHEET	1	OF	1	REV	K

OWN: K. WHITAKER 14OCT2005  
 CHK: S. RIDGILL 19-NOV-2003  
 APVD: S. RIDGILL 19-NOV-2003  
 PRODUCT SPEC: APPLICATION SPEC  
 Tyco Electronics Corporation, Harrisburg, PA 17105-3608  
 HEADER ASSEMBLY, PIN, POLARIZED, UNIVERSAL MATE-N-LOK(TM), 15 CIRCUIT