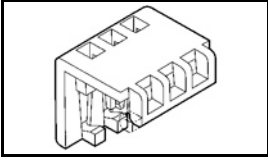


643075-2 Product Details

[Share](#) [Print](#) [Email](#)




643075-2

TE Internal Number: 643075-2

 Active

[View 3D PDF](#)

MTA, CST and SL Accessories

 Always EU RoHS/ELV Compliant
(Statement of Compliance)

Product Highlights:

- Accessory Type = Strain Relief Covers
- Without Panel Mount Retention
- Cover Style = Closed End
- 2 Positions
- Used For MTA-100 Connectors

[View all Features](#)

Quick Links

- ▶ [Pricing & Availability](#)
- ▶ [Search for Tooling](#)
- ▶ [Product Feature Selector](#)
- ▶ [Contact Us About This Product](#)

[Add to My Part List](#)

[Request Sample](#)

[Find Similar Products](#)

[Buy Product](#)

Documentation & Additional Information

Product Drawings:

- [COVER, MOLDED, .060 MAX O.D. WIRE, MTA-100](#) (PDF, English)

Catalog Pages/Data Sheets:

- [MTA, CST-100 II, SL-156 and AMP Economy Power \(EP\) C...](#) (PDF, English)

Product Specifications:

- None Available

Application Specifications:

- None Available

Instruction Sheets:

- [Storage Maintenance for Mass Termination Assembly \(M...](#) (PDF, English)

CAD Files: (CAD Format & Compression Information)

- [2D Drawing](#) (DXF, Version G)
- [3D Model](#) (IGES, Version G)
- [3D Model](#) (STEP, Version G)

[List all Documents](#)

Additional Information:

- [Product Line Information](#)

Additional Product Images:

- [Product Photo](#)

Related Products:

- [Tooling](#)

Product Features (Please use the Product Drawing for all design activity)

Product Type Features:

- **Accessory Type** = Strain Relief Covers
- **Cover Style** = Closed End
- **Used For** = MTA-100 Connectors
- **Color** = White

Mechanical Attachment:

- **Panel Mount Retention** = Without

Body Features:

- **Body Material** = Nylon

Housing Features:

- **UL Flammability Rating** = UL 94V-2

Configuration Features:

- **Number of Positions** = 2

Industry Standards:

- **RoHS/ELV Compliance** = RoHS compliant, ELV compliant
- **Lead Free Solder Processes** = Not relevant for lead free process
- **RoHS/ELV Compliance History** = Always was RoHS compliant

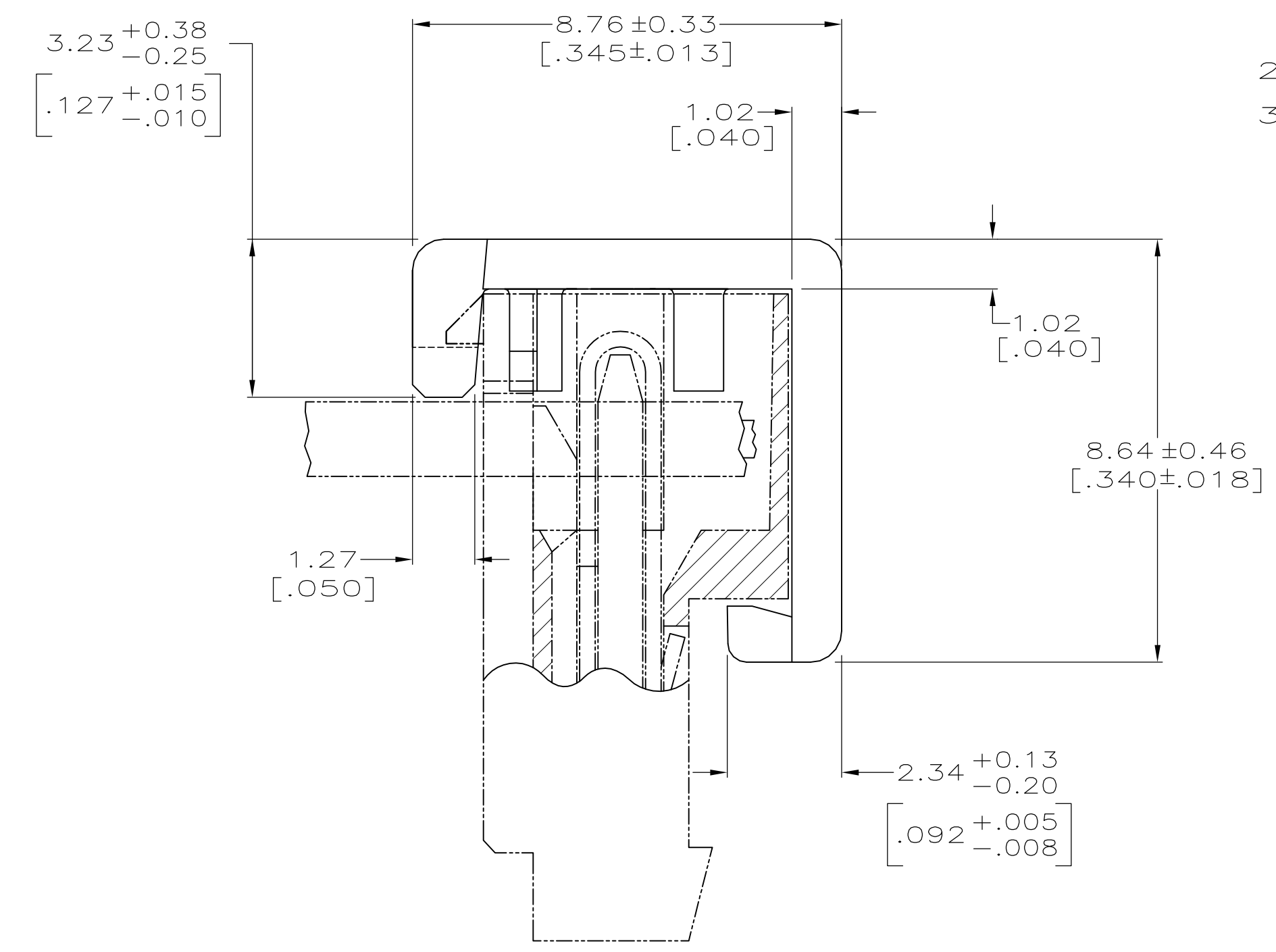
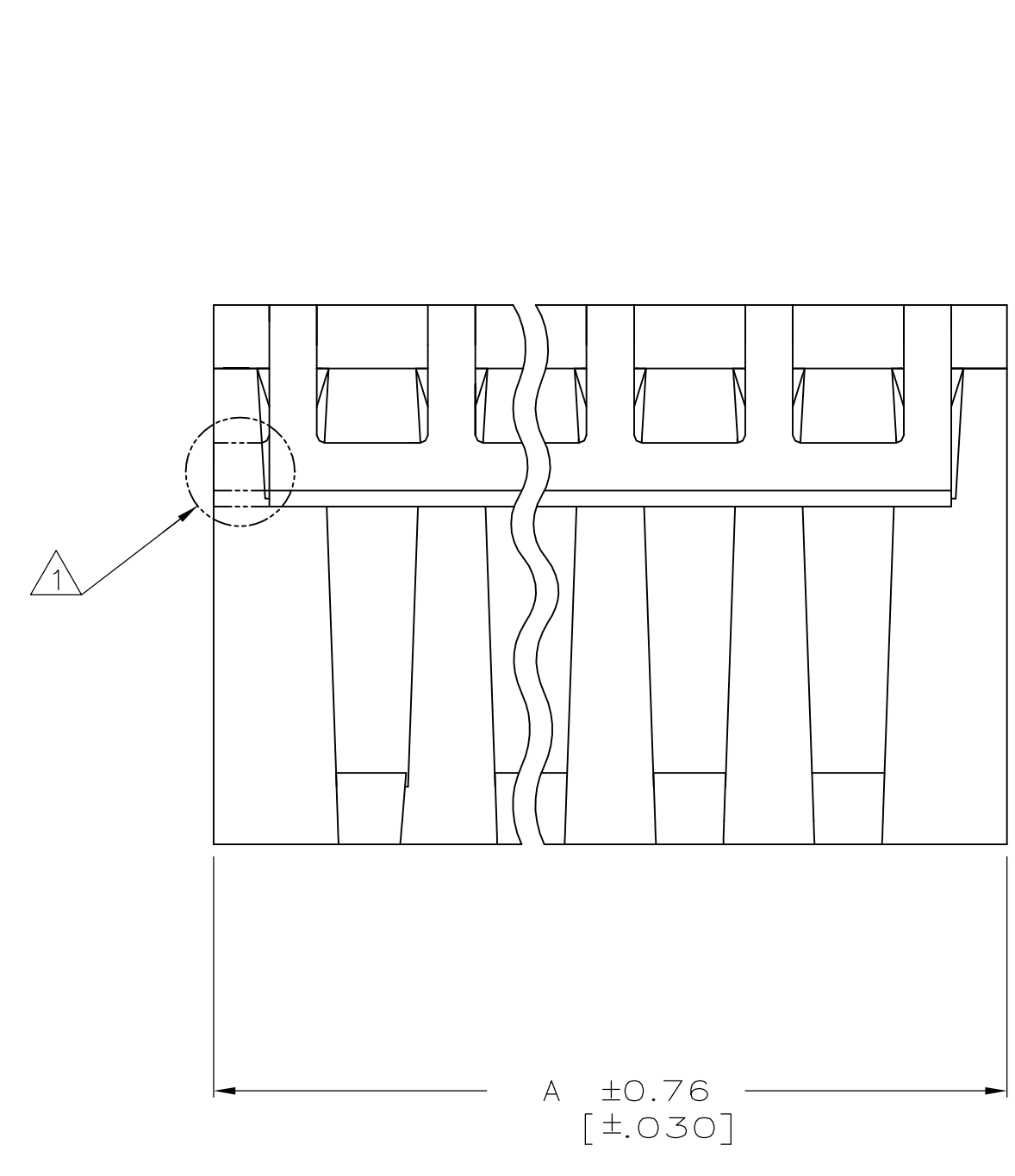
Packaging Features:

- **Packaging Quantity** = 500

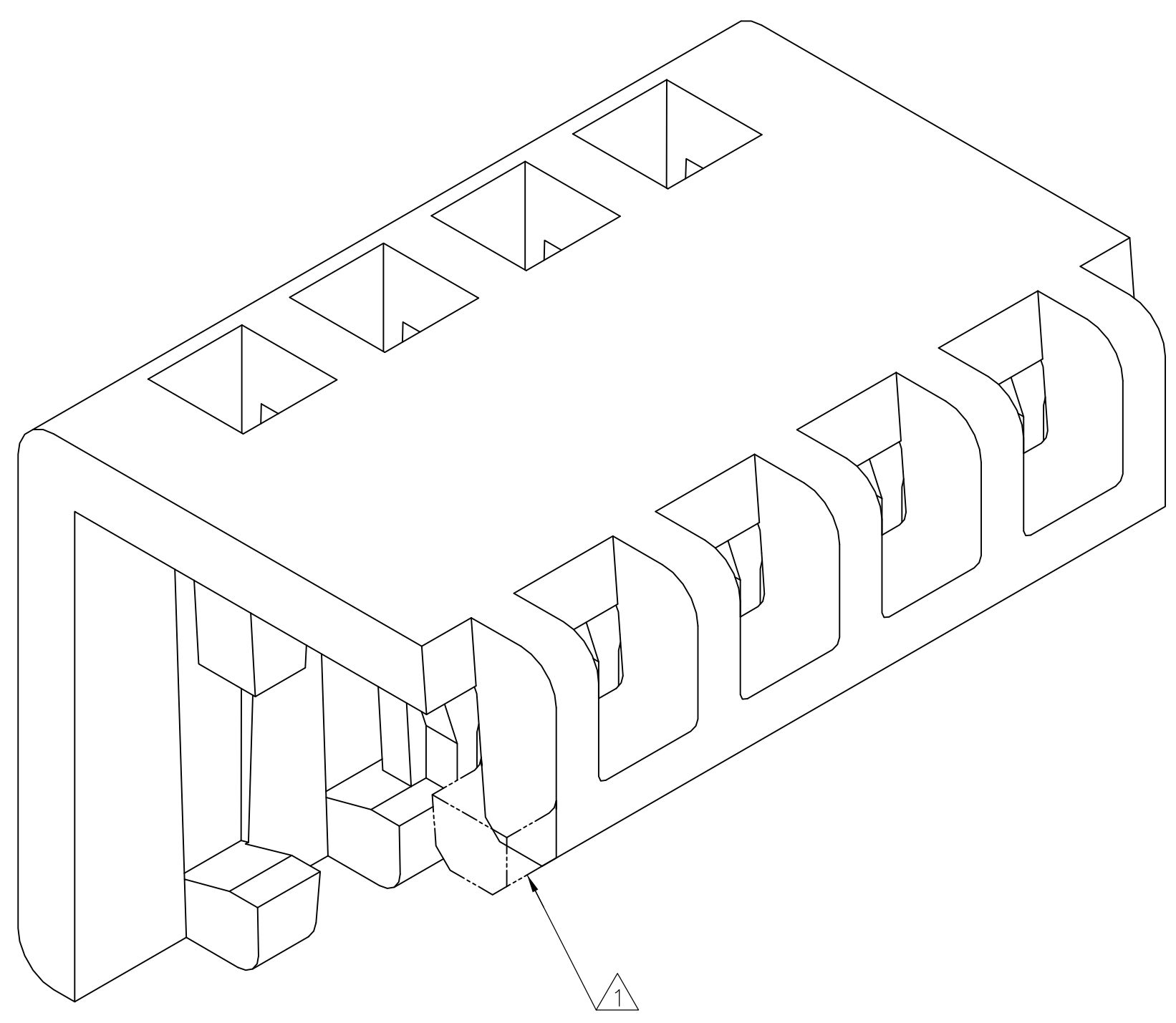
Other:

- **Brand** = AMP

LOC		DIST		REVISIONS			
P	LR	DESCRIPTION	DATE	DWN	APVD		
G2		REVISED PER ECO-11-010839	26MAY11	RK	HMR		



- △ PART MAY BE MOLDED TO DESIRED POSITION SIZE OR CUT TO DESIRED POSITION SIZE FROM A LARGER POSITION SIZE PART. WHEN PART IS CUT TO DESIRED POSITION SIZE, A PORTION OF FRONT LOCKING BAR WILL REMAIN ATTACHED.
2. DIMENSIONS IN BRACKETS ARE IN INCHES.
 3. TWO POSITION (-2) PARTS WILL BE MOLDED ONLY.



3-DIMENSIONAL MODEL
NTS

28	CIRCUIT ASSEMBLES	71.12	[2.800]	2-643075-8	
27	CIRCUIT ASSEMBLES	68.58	[2.700]	2-643075-7	
26	CIRCUIT ASSEMBLES	66.04	[2.600]	2-643075-6	
25	CIRCUIT ASSEMBLES	63.50	[2.500]	2-643075-5	
24	CIRCUIT ASSEMBLES	60.96	[2.400]	2-643075-4	
23	CIRCUIT ASSEMBLES	58.42	[2.300]	2-643075-3	
22	CIRCUIT ASSEMBLES	55.88	[2.200]	2-643075-2	
21	CIRCUIT ASSEMBLES	53.34	[2.100]	2-643075-1	
20	CIRCUIT ASSEMBLES	50.80	[2.000]	2-643075-0	
19	CIRCUIT ASSEMBLES	48.26	[1.900]	1-643075-9	
18	CIRCUIT ASSEMBLES	45.72	[1.800]	1-643075-8	
17	CIRCUIT ASSEMBLES	43.18	[1.700]	1-643075-7	
16	CIRCUIT ASSEMBLES	40.64	[1.600]	1-643075-6	
15	CIRCUIT ASSEMBLES	38.10	[1.500]	1-643075-5	
14	CIRCUIT ASSEMBLES	35.56	[1.400]	1-643075-4	
13	CIRCUIT ASSEMBLES	33.02	[1.300]	1-643075-3	
12	CIRCUIT ASSEMBLES	30.48	[1.200]	1-643075-2	
11	CIRCUIT ASSEMBLES	27.94	[1.100]	1-643075-1	
10	CIRCUIT ASSEMBLES	25.40	[1.000]	1-643075-0	
9	CIRCUIT ASSEMBLES	22.86	[.900]	643075-9	
8	CIRCUIT ASSEMBLES	20.32	[.800]	643075-8	
7	CIRCUIT ASSEMBLES	17.78	[.700]	643075-7	
6	CIRCUIT ASSEMBLES	15.24	[.600]	643075-6	
5	CIRCUIT ASSEMBLES	12.70	[.500]	643075-5	
4	CIRCUIT ASSEMBLES	10.16	[.400]	643075-4	
3	CIRCUIT ASSEMBLES	7.62	[.300]	643075-3	
2	CIRCUIT ASSEMBLES	5.08	[.200]	643075-2	
USE ON MTA 100 ASSEMBLIES AS LISTED				A	PART NO

THIS DRAWING IS A CONTROLLED DOCUMENT.		DWN	--	STE		TE Connectivity	
DIMENSIONS: mm [INCHES]		CHK	--	NAME			
TOLERANCES UNLESS OTHERWISE SPECIFIED:		APVD	--	COVER, MOLDED, .060 MAX O.D. WIRE, MTA-100			
0 PLC	±	PRODUCT SPEC	--	SIZE			
2 PLC	±	APPLICATION SPEC	--	CAGE CODE	DRAWING NO	RESTRICTED TO	
3 PLC	±	WEIGHT	--	A1	00779	643075	--
4 PLC	± 0.13 [0.005]	CUSTOMER DRAWING	--	SCALE	10:1	SHEET	1 OF 1
ANGLES	±					REV	G2
MATERIAL	NYLON,UL 94V-2						
FINISH	WHITE						

