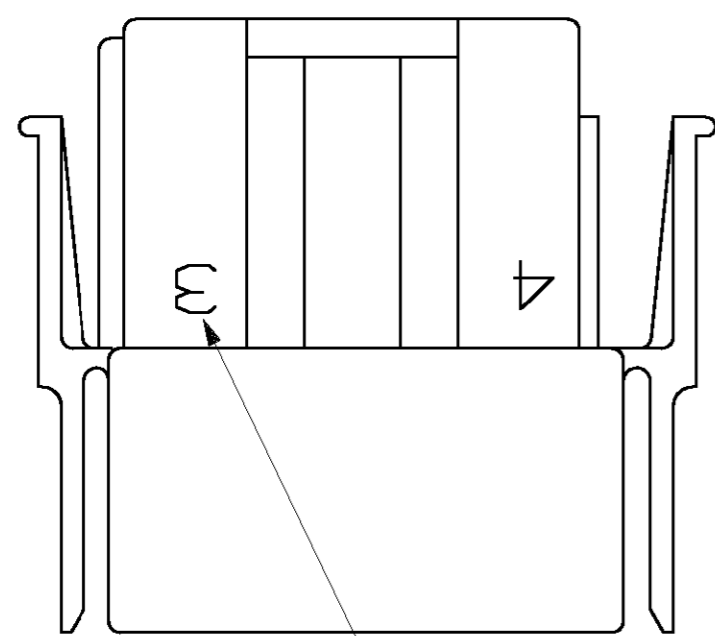
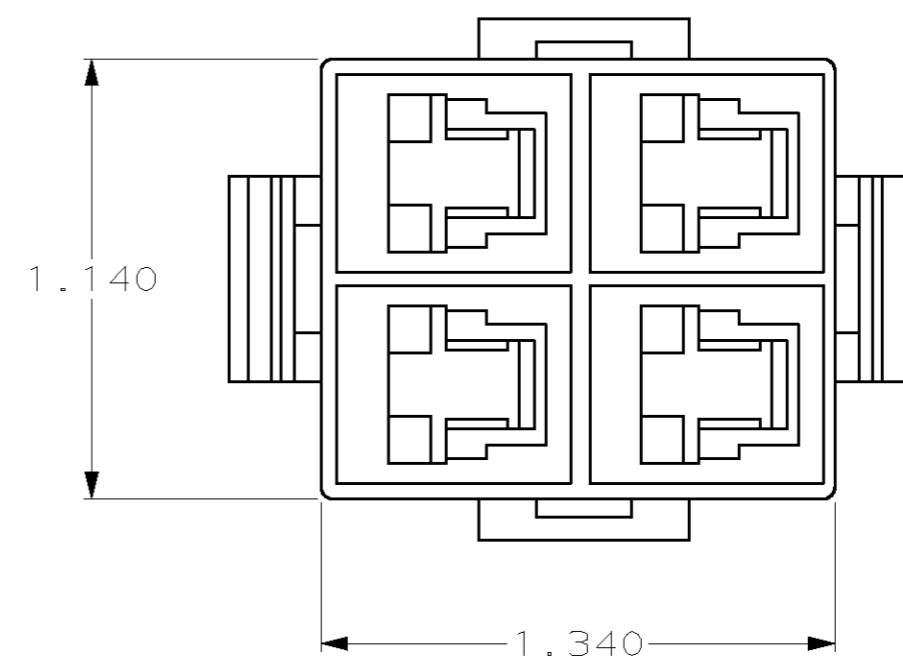
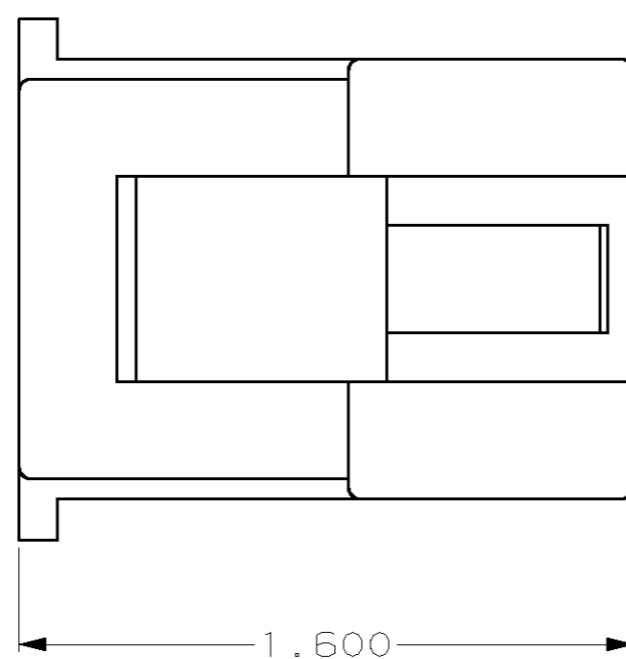
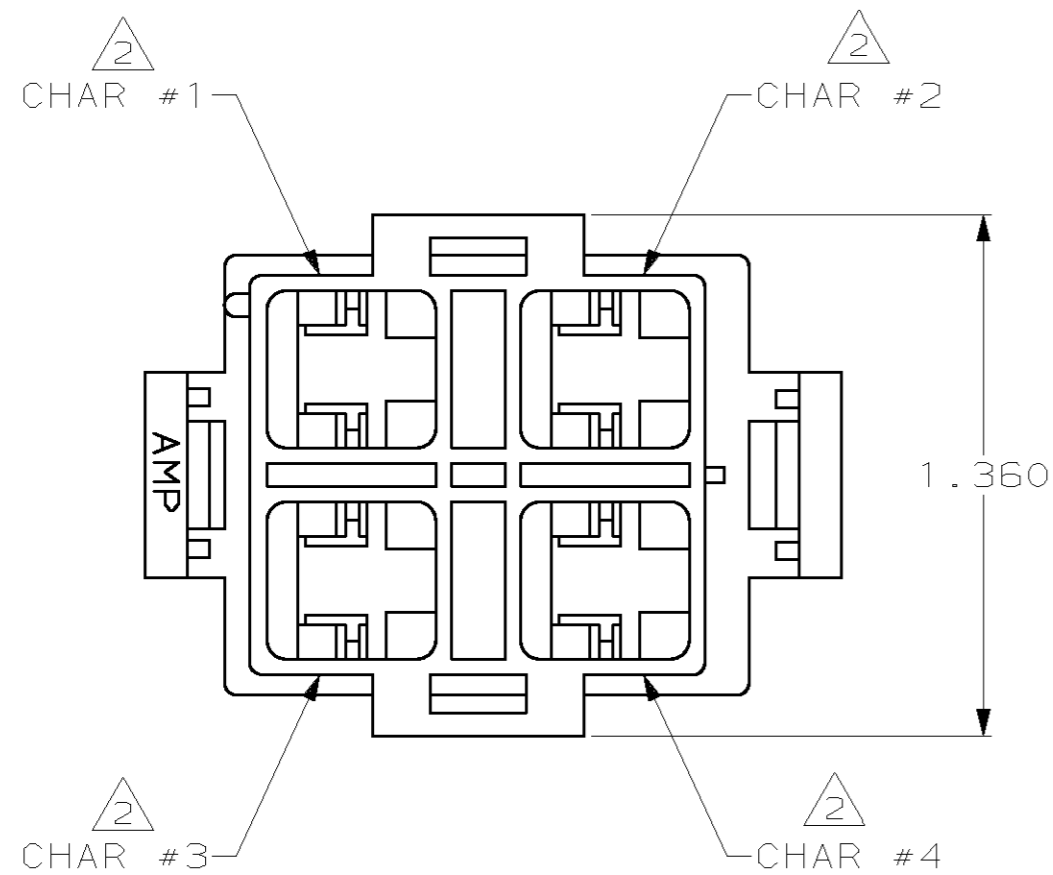


THIS DRAWING IS UNPUBLISHED. RELEASED FOR PUBLICATION .19  
 © COPYRIGHT 19 BY AMP INCORPORATED. ALL RIGHTS RESERVED.

LOC		DIST		REVISIONS			
P	LTR	DESCRIPTION	DATE	DWN	APVD		
		D	REDRAWN & REV PER ECN BD4399	23 SEP 99	-	-	
		E	ADDED -3, ECN OG3B-0109-99	23 SEP 99	SW	RB	



CIRCUIT IDENTIFICATION

- 1. ACCEPTS TERMINALS 350650 AND 350651.
- ② CHARACTERS 3 AND 4 MARKED ON NEAR SURFACE AS SHOWN, CHARACTERS 1 AND 2 MARKED ON OPPOSITE SIDE.
- ③ NYLON, 94V-0 RATED, BRICK RED.
- ④ NYLON, 94V-2 RATED, BLACK.

OBSOLETE	②	④	643267-3
	-	-	643267-2
	②	③	643267-1
	CIRCUIT IDENTIFICATION	MAT'L	PART NUMBER

THIS DRAWING IS A CONTROLLED DOCUMENT.		DWN	R. SHIREY	05/15/91	AMP Incorporated Harrisburg, PA 17105-3608
DIMENSIONS: mm		CHK	R. STONE	5-22-91	
TOLERANCES UNLESS OTHERWISE SPECIFIED:		APVD	R. WALTER	5-22-91	
0 PLC ±- 1 PLC ±- 2 PLC ±- 3 PLC ±.015 4 PLC ±- ANGLES ±-		NAME		PRODUCT SPEC	
MATERIAL SEE TABLE		FINISH -		APPLICATION SPEC	SIZE
		WEIGHT -		SCALE	2:1
		CUSTOMER DRAWING		RESTRICTED TO	-
				SHEET	1 OF 1
				REV	E