

Distributed by:

**JAMECO**<sup>®</sup>  
ELECTRONICS

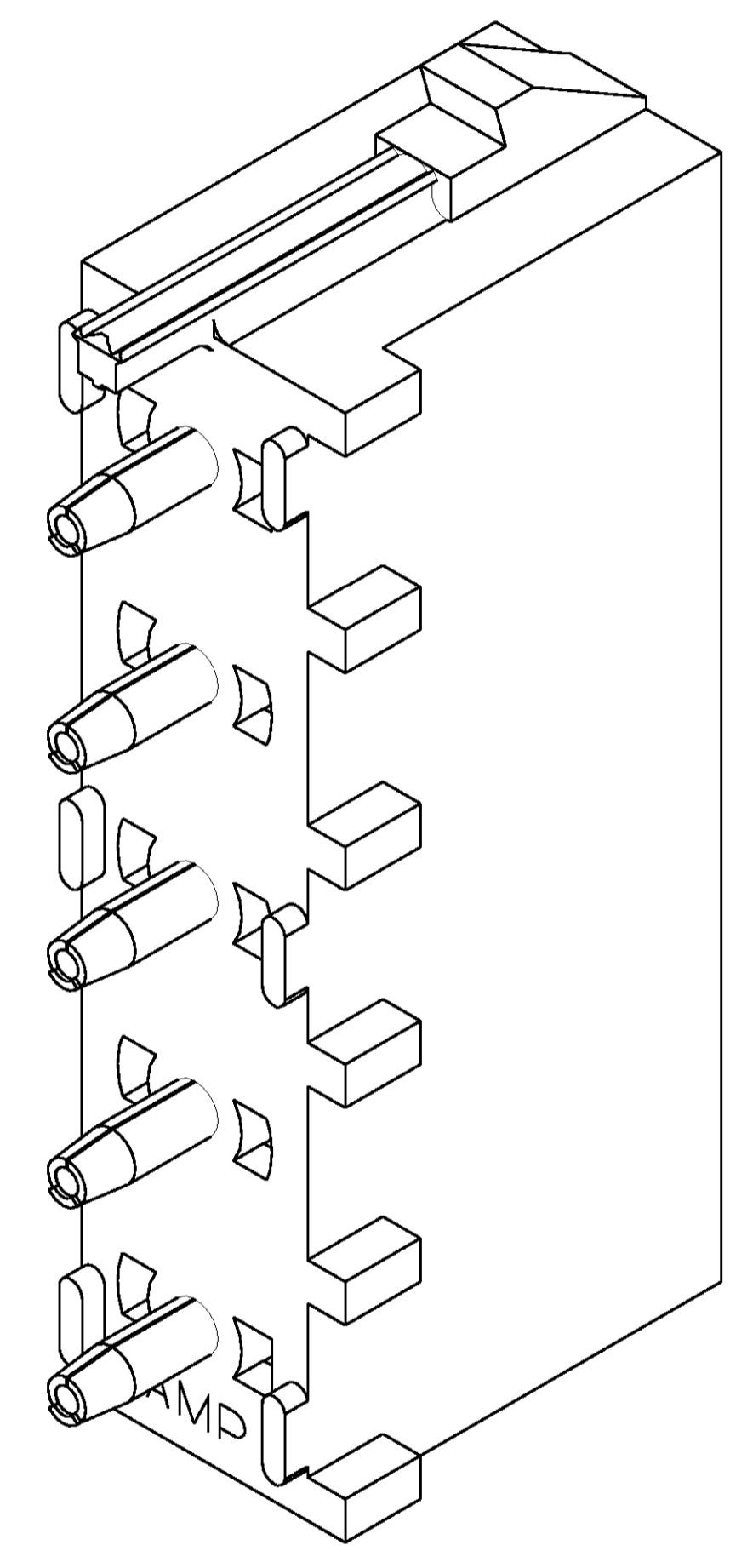
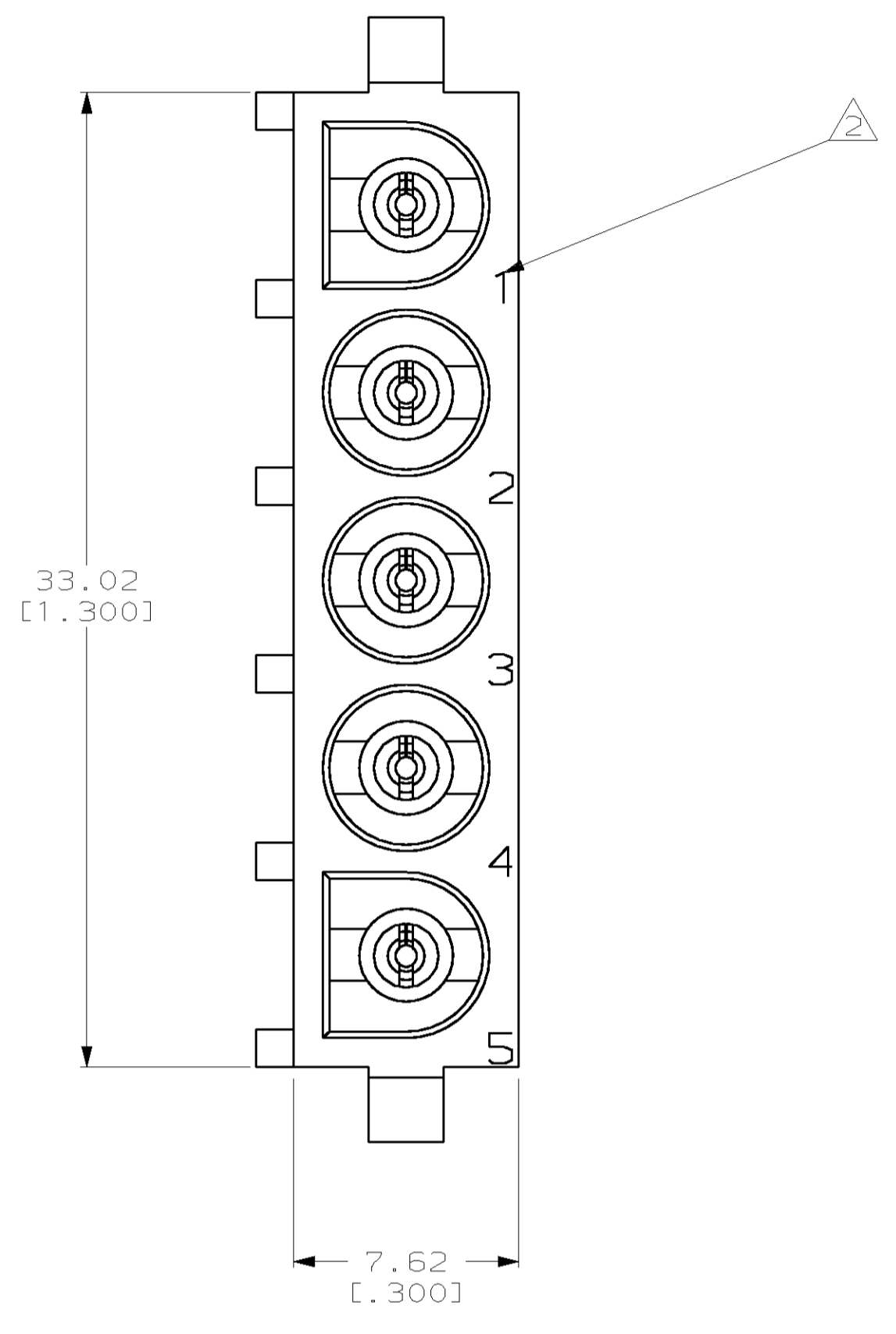
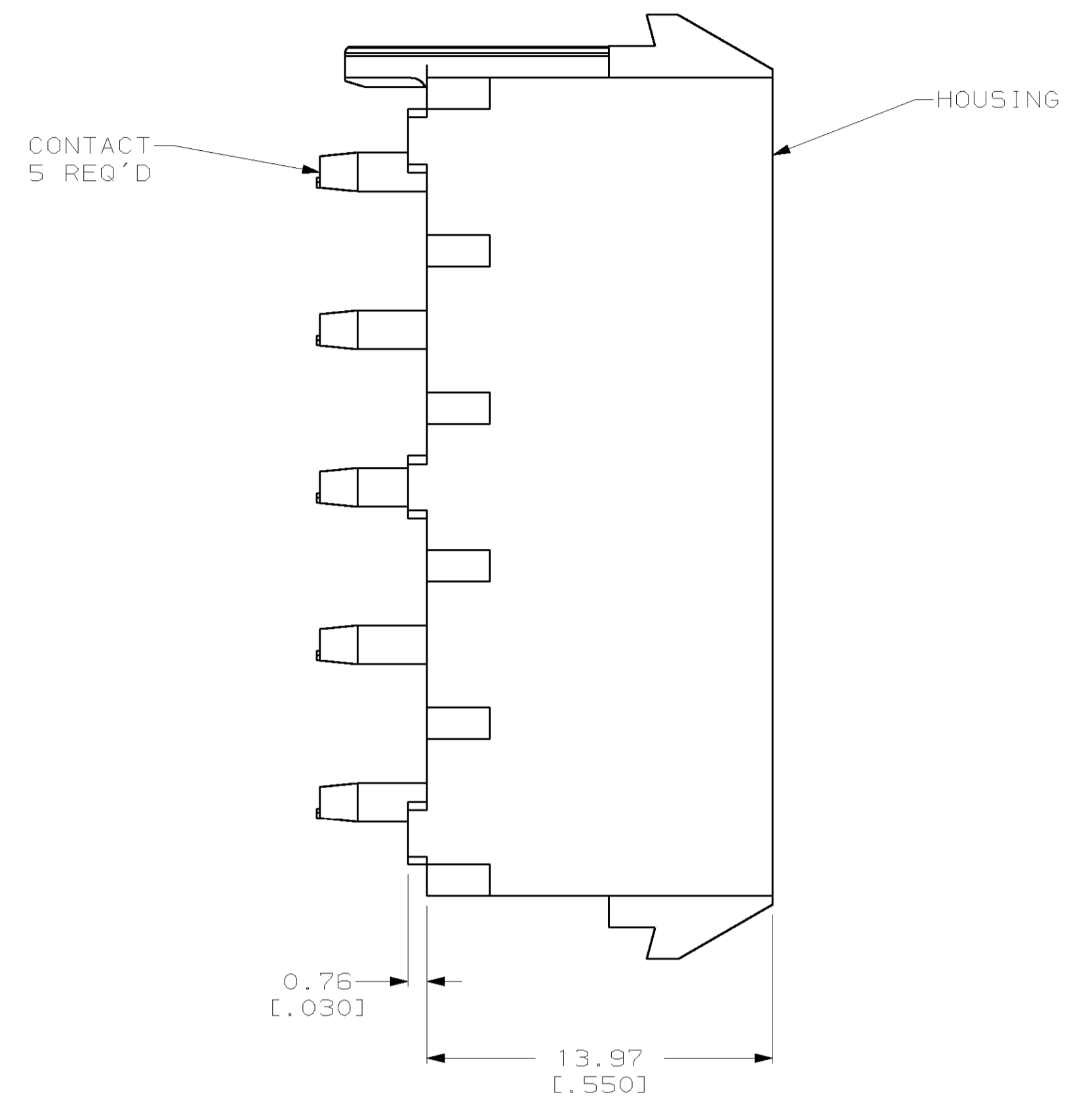
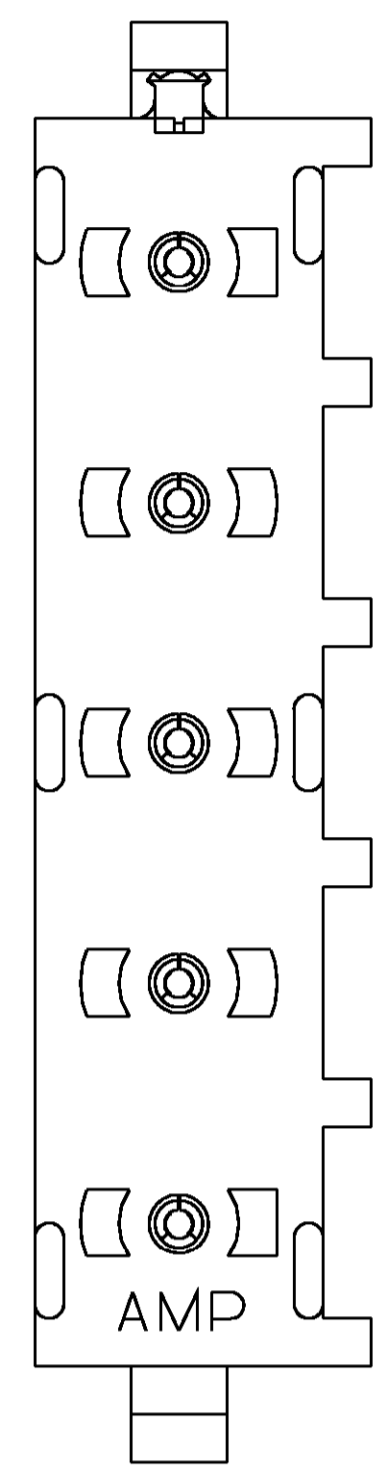
**www.Jameco.com ♦ 1-800-831-4242**

The content and copyrights of the attached  
material are the property of its owner.

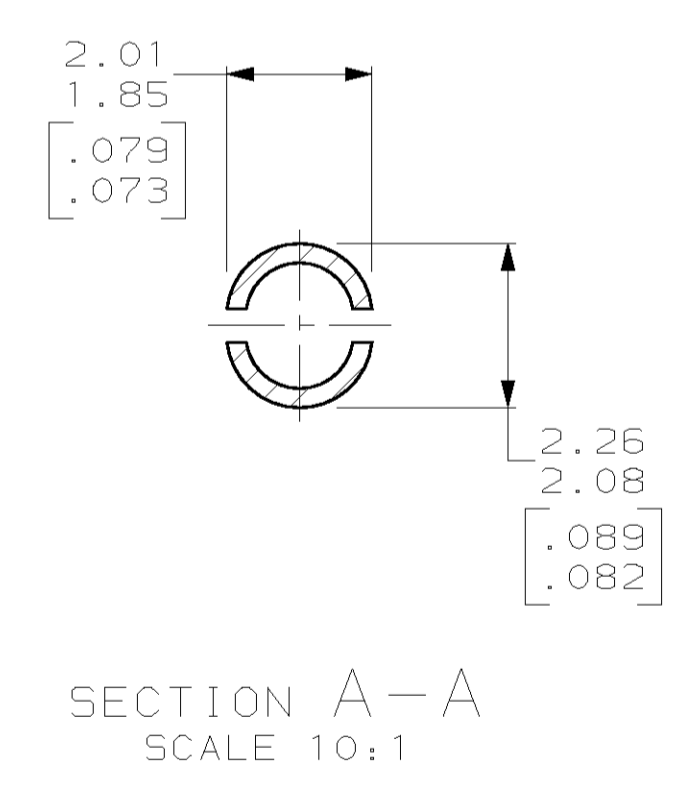
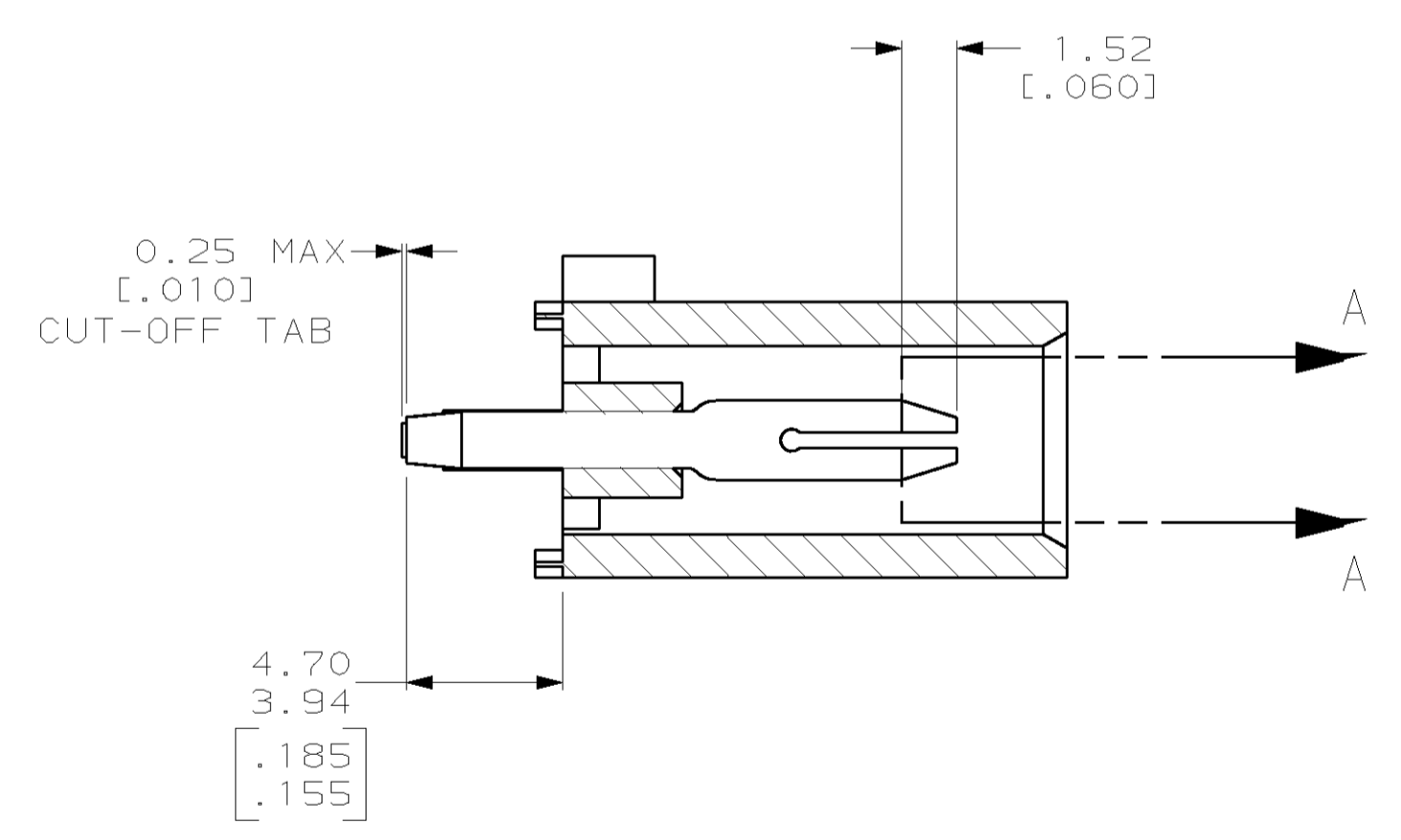
Jameco Part Number 857776

LOC		DIST		REVISIONS			
F	CHR	DATE	BY	APVD	DESCRIPTION	DATE	BY
J		07-JAN-00	LM	KC	REV & REDWN PER EC 0638-0222-99	07-JAN-00	LM

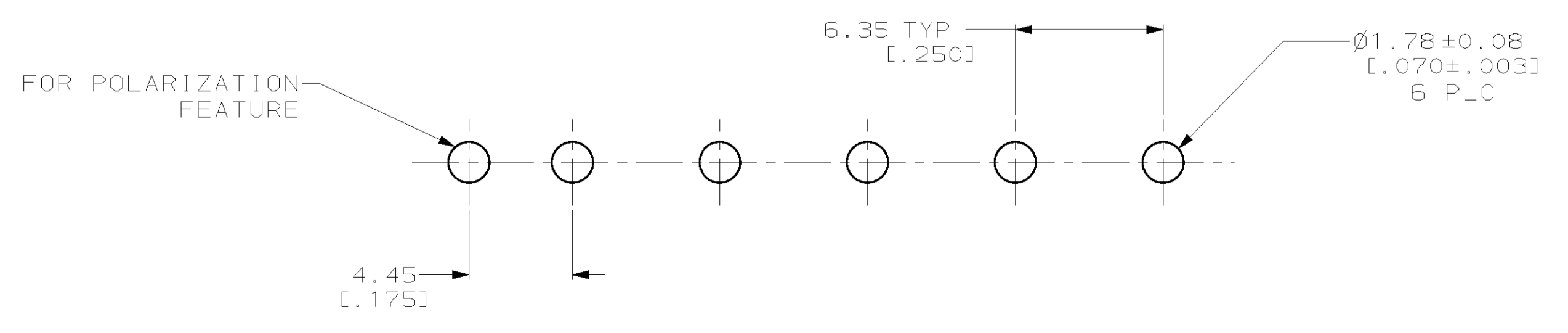
- PARTS COMPLY TO AMP SOLDERABILITY SPECIFICATION 109-11-3.
- CIRCUIT IDENTIFICATION CHARACTERS ARE ADJACENT TO THE INDICATED CAVITIES, BUT LOCATION AND ORIENTATION MAY DIFFER FROM PRINT.
- DIMENSIONS IN BRACKETS ARE IN INCHES.



3-DIMENSIONAL MODEL  
NTS



SECTION A-A  
SCALE 10:1



RECOMMENDED MOUNTING HOLE PATTERN  
FOR 1.57 [.062] THICK P.C. BOARD

PHOSPHOR BRONZE, PRE-TIN PIN CONTACT MATERIAL AND FINISH	NYLON, UL94V-2, NATURAL HOUSING MATERIAL	643405-1 PART NO
THIS DRAWING IS A CONTROLLED DOCUMENT.		AMP Incorporated Harrisburg, PA 17105-3608
DIMENSIONS: mm (INCHES)	TOLERANCES UNLESS OTHERWISE SPECIFIED:	NAME PIN HEADER ASSEMBLY, POLARIZED, 5 CIRCUIT, UNIVERSAL MATE-N-LOK™
0 PLC ±	1 PLC ±	SIZE A1
2 PLC ±0.13 (.005)	3 PLC ±	CAGE CODE 00779
4 PLC ±	5 PLC ±	DRAWING NO 643405
ANGLES 45°/30°	FINISH SEE TABLE	WEIGHT -
MATERIAL SEE TABLE	FINISH SEE TABLE	CUSTOMER DRAWING
SCALE 5:1		SHEET 1 OF 1

