

THIS DRAWING IS UNPUBLISHED.

RELEASED FOR PUBLICATION

19

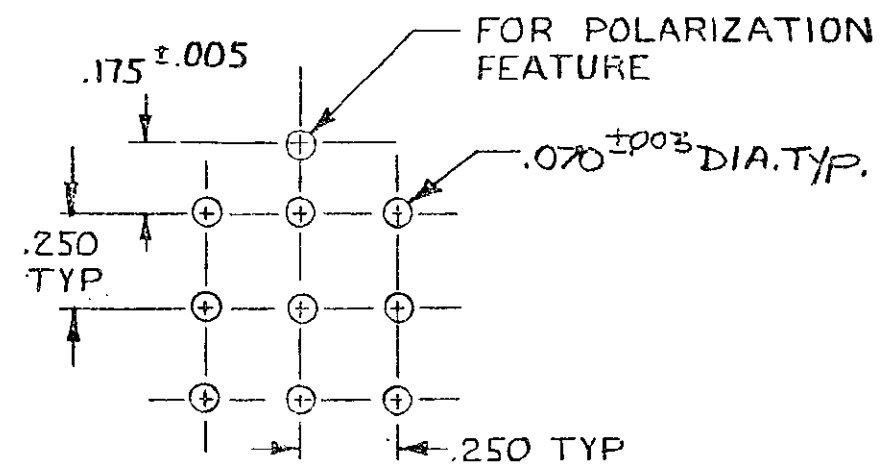
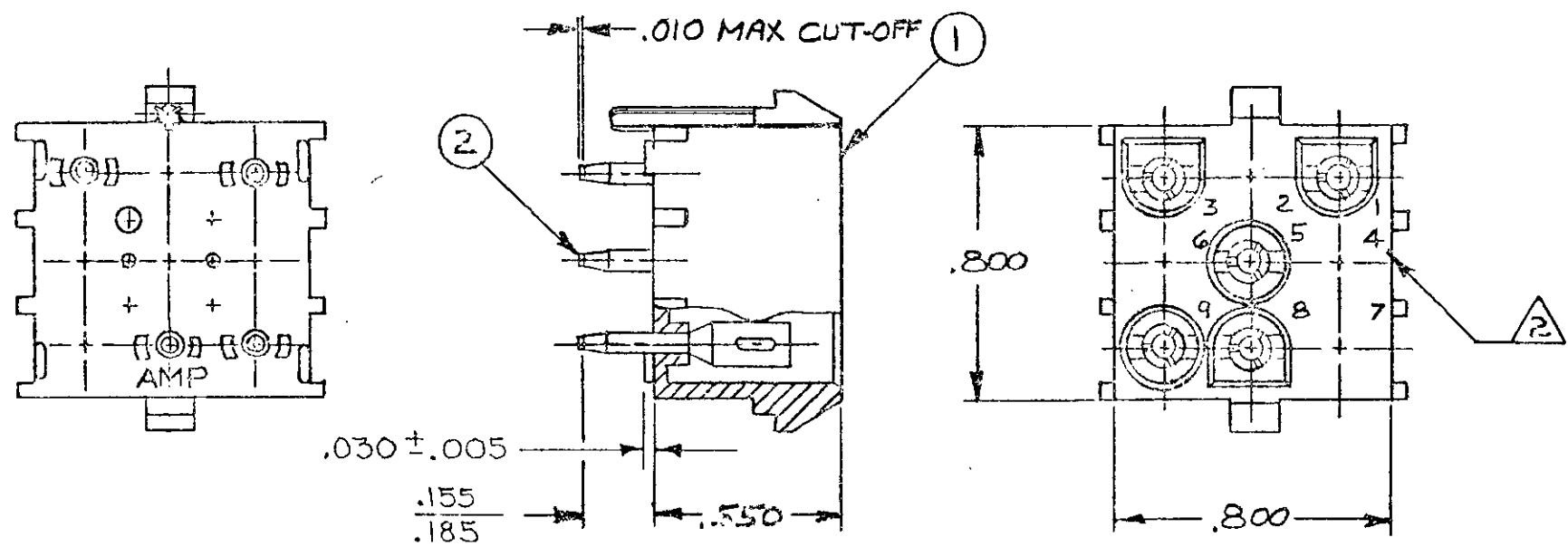
© COPYRIGHT 19

BY AMP INCORPORATED, HARRISBURG, PA. ALL INTERNATIONAL RIGHTS

RESERVED. AMP PRODUCTS MAY BE COVERED BY U.S. AND FOREIGN PATENTS AND/OR PATENTS PENDING.

LOC CM DIST 53

REVISIONS					
P	ZONE	LTR	DESCRIPTION	DATE	APPROVED
✓		0	RELEASES NEW DRAWING 6-TT183-17	3/21/83	Dag/D.H.
✓		A	REVISED PER ECN M-7383	9-9-83	SDW
✓		B	REVISED PER ECN AG 214	1-27-84	MC
✓		B1	RESTORATION	8-24-85	K/S/NJ
✓		C	REVISE PER CM-1511	2-10-87	PKC
✓		D	OBSOLETE -1 PER CM-1376	7-12-88	PH
✓		E	REACT -1 PER PR CM 92-36	4-15-92	NJG
✓		F	REV PER ECN 0730-3928-92	1-8-93	NJG
✓		G	REV PER EC 0730-0111-95	8-29-95	JH



RECOMMENDED LAYOUT FOR .062 THICK PC BOARD

QTY	DESCRIPTION	MATERIAL & FINISH	ITEM No.	PART NO
9	SOCKET	PH BRZ, PRE-TIN	2	6434-25-1
1	HOUSING	NYLON, 94V-2, NATURAL	1	

UNLESS OTHERWISE SPECIFIED DIMENSIONS ARE IN INCHES. TOLERANCES ON: DECIMALS ± .015 ANGLES ±	CONTRACT NO		AMP INCORPORATED Harrisburg, Pa.	
	DR	3-21-83	NAME	
	CHK	D.A. SALTZER	HEADER ASSEMBLY, SOCKET, POLARIZED	
	APPD	S. Verde 4/8/83	UNIVERSAL MATE-N-LOK™, 9 CIRCUIT	
MATERIAL	SEE TABLE	DSGN APPD	SIZE	FSCM NO
FINISH	SEE TABLE	OTHER APPD	15	00779
			DRAWING NO	643425
			SCALE	SHEET
			2:1	

- 1. PARTS COMPLY WITH AMP SOLDERABILITY SPEC 109-11-3.
- 2. CIRCUIT IDENTIFICATION CHARACTERS ARE ADJACENT TO THE INDICATED CAVITIES, BUT LOCATION AND ORIENTATION MAY DIFFER FROM PRINT.