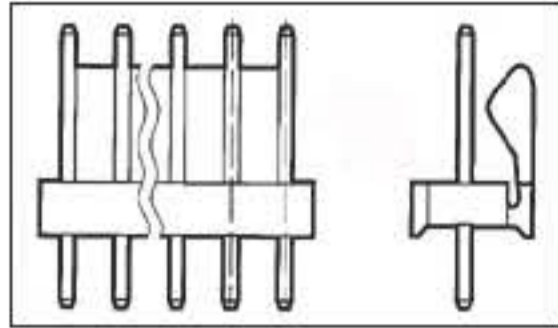




643495-2 Product Details

[Share](#) | [Print](#) | [Email](#)


643495-2

MTA, CST-100 II, MT-6 and SL Connectors and Headers

[Always EU RoHS/ELV Compliant \(Statement of Compliance\)](#)

Product Highlights:

- Header
- 5 Positions
- Connector Style = Plug
- Contact Type = Pin
- MTA-156 Product Line

[View all Features](#)

Quick Links

- ▶ [Check Pricing & Availability](#)
- ▶ [Search for Tooling](#)
- ▶ [Product Feature Selector](#)
- ▶ [Contact Us About This Product](#)

TE Internal Number: 643495-2

Active

[View 3D PDF](#)

[Add to My Part List](#) [Request Sample](#) [Find Similar Products](#) [Buy Product](#)

Documentation & Additional Information

Product Drawings:

- [MTA-.156 HEADER ASSEMBLY, FRICTION LOCK, STRAIGHT .0...](#) (PDF, English)

Catalog Pages/Data Sheets:

- None Available

Product Specifications:

- None Available

Application Specifications:

- None Available

Instruction Sheets:

- None Available

CAD Files: ([CAD Format & Compression Information](#))

- [2D Drawing](#) (DXF, Version N)
- [3D Model](#) (IGES, Version N)
- [3D Model](#) (STEP, Version N)

Additional Information:

- [Product Line Information](#)

Related Products:

- [Tooling](#)

[List all Documents](#)

Product Features (Please use the Product Drawing for all design activity)

Product Type Features:

- Connector Type = Header
- [Product Line](#) = MTA-156
- [PCB Mounting Orientation](#) = Vertical
- PCB Mount Retention = Without
- [Mating Connector Lock](#) = With
- [Four Points of Contact](#) = Without
- [Shrouded](#) = No
- [Mounting Ears](#) = Without
- Mating Connector Lock Type = Friction Lock
- Post Size (mm [in]) = 1.14 [.045]

Mechanical Attachment:

- [Panel Mount Retention](#) = Without

Electrical Characteristics:

- Current Rating (A) = 7.0
- Voltage Rating (VAC) = 600

Termination Features:

- [Solder Tail Contact Plating](#) = Tin
- Termination Post Length (mm [in]) = 3.18 [0.125]

Body Features:

- [Number of Positions](#) = 5
- Centerline (mm [in]) = 3.96 [0.156]
- [Narrow](#) = No
- [Post Number\(s\) Omitted](#) = 2, 4
- Solder Tail Contact Material = Copper Alloy

Contact Features:

- Contact Type = Pin
- [Contact Shape](#) = Square
- [Contact Plating, Mating Area, Material](#) = Tin
- [Contact Base Material](#) = Copper Alloy

Housing Features:

- Connector Style = Plug
- Housing Color = Natural
- [Mating Alignment](#) = Without
- UL Flammability Rating = UL 94V-0
- Housing Material = Polyester GF

Configuration Features:

- [Backwall/Post Interruption\(s\)](#) = Without

Industry Standards:

- [RoHS/ELV Compliance](#) = RoHS compliant, ELV compliant
- [Lead Free Solder Processes](#) = Wave solder capable to 240°C, Wave solder capable to 260°C, Wave solder capable to 265°C
- RoHS/ELV Compliance History = Always was RoHS compliant

Conditions for Usage:

- [Applies To](#) = Printed Circuit Board
- PCB Thickness, Recommended (mm [in]) = 1.60 [0.063]

Operation/Application:

- Application Use = Wire-to-Board

Packaging Features:

- Packaging Method = Loose Piece

Other:

- Brand = AMP

Corporate Information

[Who We Are](#)
[Investors](#)
[News Room](#)
[Supplier Portal](#)
[Careers](#)

Quick Links

[Check Distributor Inventory](#)
[Cross Reference](#)
[Find Documents & Drawings](#)
[Product Compliance Support Center](#)
[Site Map](#)

Customer Support

[Email or Chat With Us](#)
[Find a Phone Number](#)
[Search Knowledge Base](#)
[Manage your Account](#)

Keep Me Informed

Receive TE News, Events & Technology Updates

