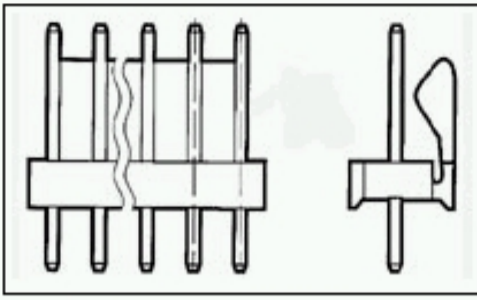


643569-3 Product Details

[Live Product Chat](#)



643569-3

TE Part Number: 643569-3

[Active](#)

[Add to Part List](#)

MTA, CST-100 II, MT-6 and SL Connectors and Headers

[Always EU RoHS/ELV Compliant \(Statement of Compliance\)](#)

Product Highlights:

- MTA-156 Connectors
- Number of Positions = 6
- Mating Type = Header
- Wire-to-Board Application
- 3.96 mm Contact Centerline Spacing

[View all Features](#) | [Find Similar Products](#)

Quick Links

- ▶ [Check Pricing & Availability](#)
- ▶ [Search for Tooling](#)
- ▶ [Product Feature Selector](#)
- ▶ [Contact Us About This Product](#)
- ▶ [Request Samples](#)

NEW!

Documentation & Additional Information

Product Drawings:

- [MTA-.156 HEADER ASSEMBLY, FRICTION LOCK, STRAIGHT .0...](#) (PDF, English)

Catalog Pages/Data Sheets:

- None Available

Product Specifications:

- None Available

Application Specifications:

- None Available

Instruction Sheets:

- None Available

CAD Files:

- None Available

Additional Information:

- [Product Line Information](#)

Related Products:

- [Tooling](#)

[List all Documents](#)

Product Features (Please use the Product Drawing for all design activity)

Product Type Features:

- [Product Type](#) = MTA-156 Connectors
- [Number of Positions](#) = 6
- [Mating Type](#) = Header
- [PCB Mount Angle](#) = Vertical
- PCB Retention Feature = No
- [Mating Polarization](#) = Without
- [Mating Connector Lock](#) = With
- [Four Points of Contact](#) = Without
- [Shrouded](#) = No
- [Mounting Ears](#) = Without
- Mating Connector Lock Type = Friction Lock
- PCB Thickness (mm [in]) = 1.60 [0.063]
- Post Size (mm [in]) = 1.14 [.045]

Mechanical Attachment:

- [Panel Attachment](#) = Without

Electrical Characteristics:

- Current Rating (Amps.) = 7
- Voltage Rating (VAC) = 600

Termination Related Features:

- [Solder Tail Contact Plating](#) = Tin
- Termination (Solder) Post Length (mm [in]) = 3.18 [0.125]

Body Related Features:

- [Narrow](#) = No
- [Post Number\(s\) Omitted](#) = 2
- Solder Tail Contact Material = Copper Alloy

Contact Related Features:

- [Contact Centerline Spacing \(mm \[in\]\)](#) = 3.96 [0.156]
- [Contact Shape](#) = Square
- [Contact Mating Area Plating Material](#) = Tin
- [Contact Material](#) = Copper Alloy

Housing Related Features:

- Housing Color = Natural
- Housing Flammability Rating = UL 94V-0
- Housing Material = Polyester GF

Configuration Related Features:

- [Backwall/Post Interruption\(s\)](#) = Without

Industry Standards:

- [RoHS/ELV Compliance](#) = RoHS compliant, ELV compliant
- [Lead Free Solder Processes](#) = Wave solder capable to 240°C, Wave solder capable to 260°C, Wave solder capable to 265°C
- RoHS/ELV Compliance History = Always was RoHS compliant

Conditions for Usage:

- [Terminate To](#) = Printed Circuit Board

Operation/Application:

- [Application](#) = Wire-to-Board

Other:

- Brand = AMP