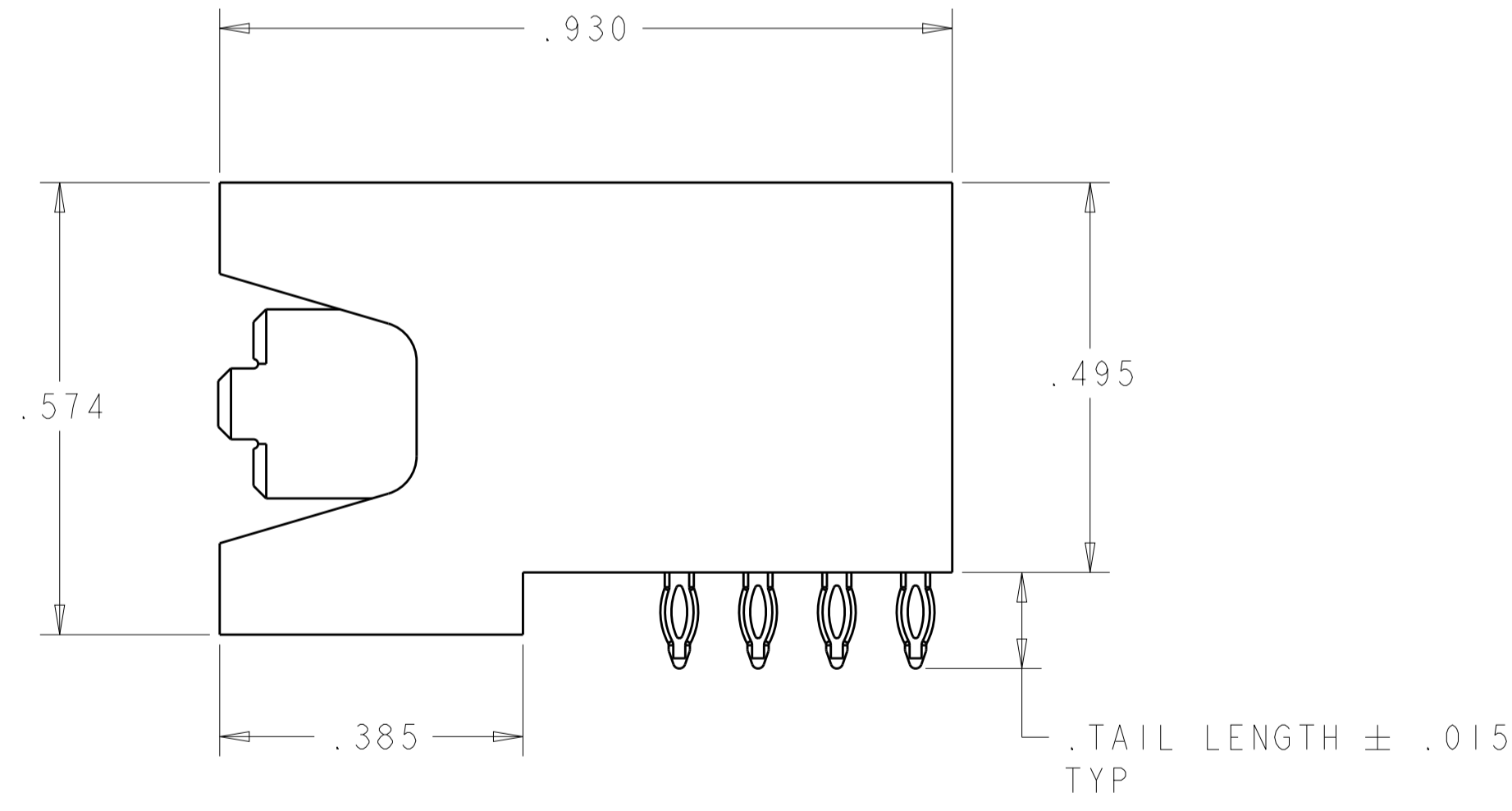
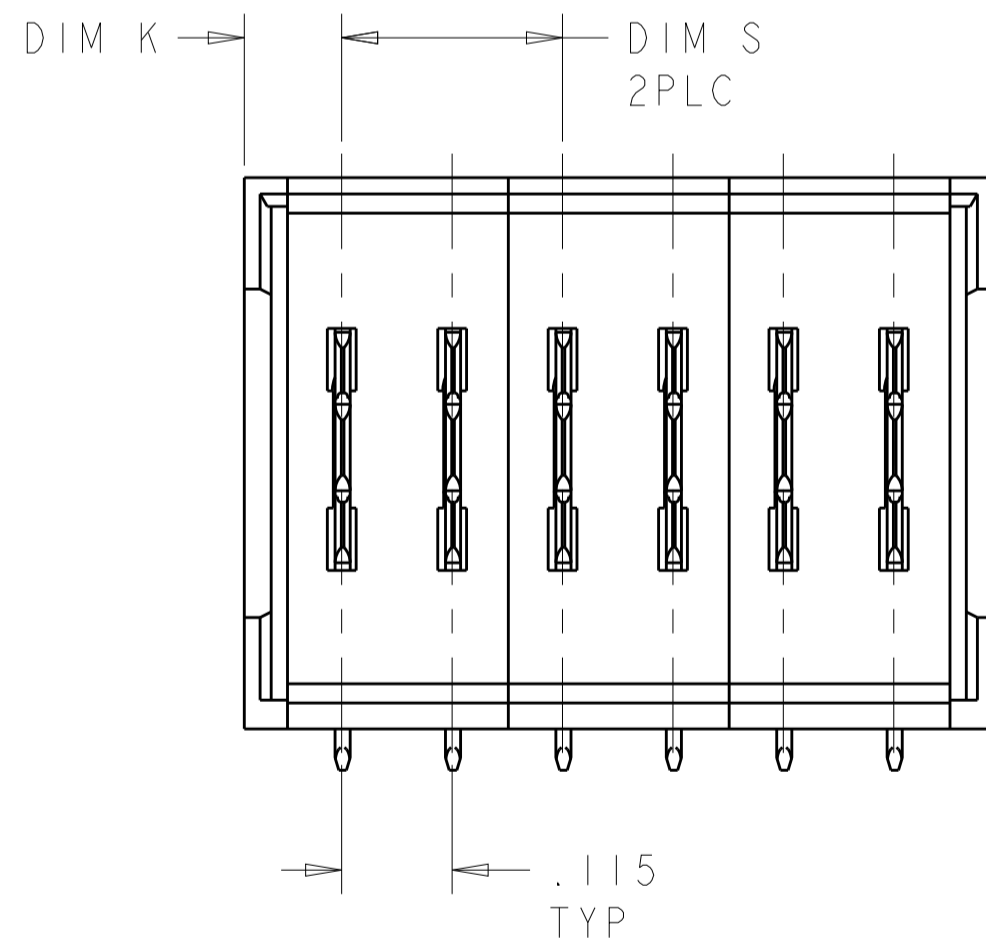
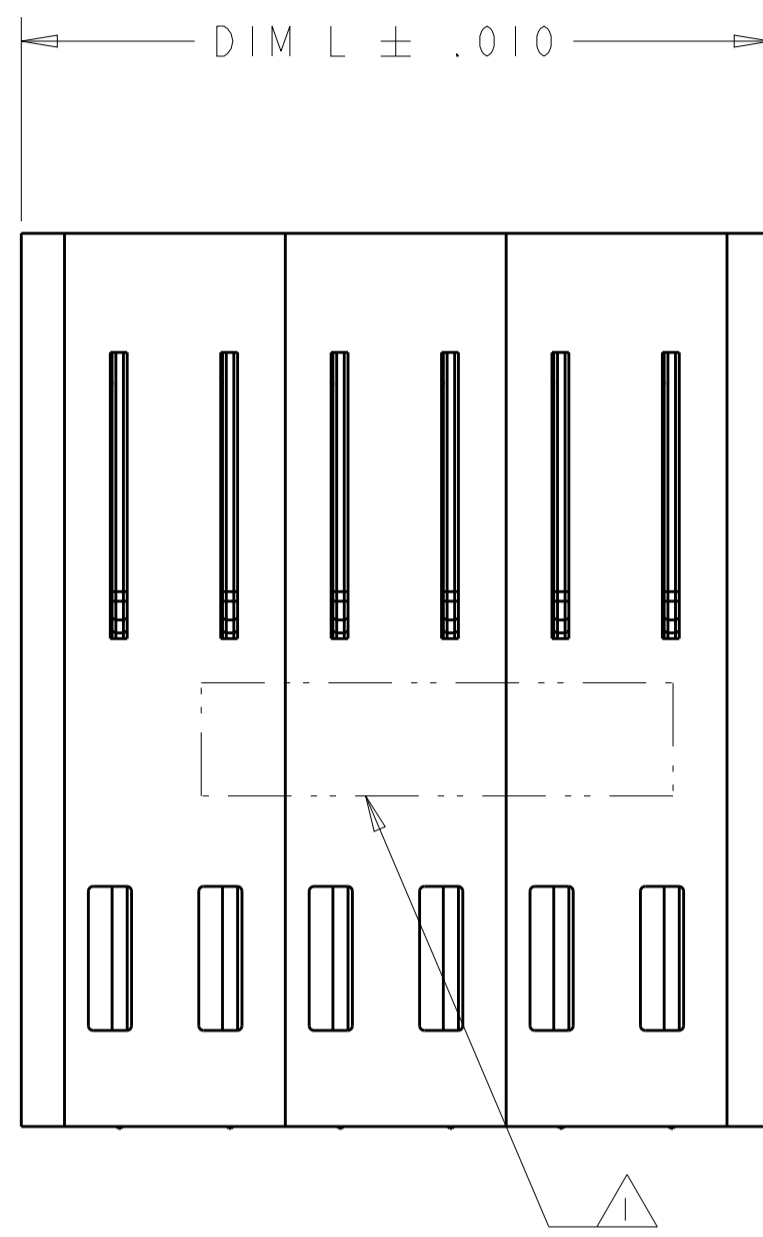


LOC	DIST	REVISIONS					
		P	LTN	DESCRIPTION	DATE	DWN	APVD
ES	00	C6		ADD NEW DASH NUMBER 1-1	20MAY2013	CZ	SZ



- △ "AMP" PART NUMBER AND DATE CODE TO BE MARKED IN AREA SHOWN. PARTS UNDER 2.00 LONG MAY BE MARKED ON BOTH SIDES.
- △ MATERIAL: HOUSING - GLASS FILLED HIGH TEMP THERMO PLASTIC, UL94 V-0
POWER CONTACT - HIGH CONDUCTIVITY COPPER ALLOY
- △ CONTACT PLATING: NOBLE METAL PLATING ON CONTACT FUNCTIONAL AREA OF POWER AND SIGNAL CONTACTS
- △ MECHANICAL CONNECTOR KEEP OUT ZONE
- △ DATUM AND BASIC DIMENSIONS ESTABLISHED BY CUSTOMER
- △ PCB - ALL HOLE DIAMETERS ARE FINISHED HOLE SIZES.
- △ PCB - .0453±.0010 DRILLED HOLES WITH .0003 WITH Sn OVER .001 TO .003 Cu PLATING TO ACHIEVE A .040±.003 DIA HOLE
- △ PLEASE REFER TO PART VIEW FOR DETAIL DIMENSIONS.

DIM S	DIM R	DIM W	DIM K	DIM L	DESCRIPTION	PART NUMBER
-	-	-	-	.540	2P	1-6450849-0
-	-	-	-	-	2HDP + 3LP + 40S + 4LP + 2HDP	6450849-9
-	.5175	.260	.1025	.630	1LP + 8S + 1LP	6450849-8
-	-	-	-	-	2ACP+1LP+32S+3HDP+1LP+1HDP	6450849-7
-	-	-	-	-	8P	6450849-4
-	-	-	-	-	12P	6450849-3
-	-	-	-	-	44S+14P+40S	6450849-2
.230	-	-	.1025	.780	6LP	6450849-1

THIS DRAWING IS A CONTROLLED DOCUMENT. DWN H.LIU 30APR2008
 CHK S.ZHAO 30APR2008
 APVD S.YAO

STE TE Connectivity

RIGHT ANGLE HEADER ASSEMBLY
 NO GUIDES
 MULTI-BEAM XLE

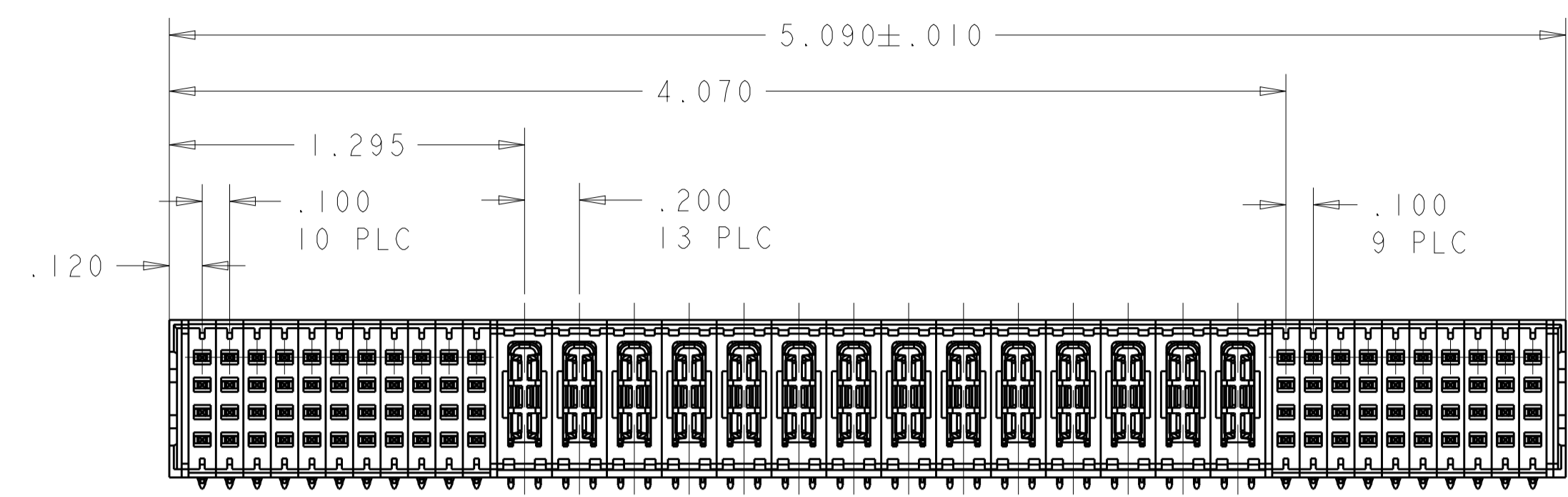
SIZE CAGE CODE DRAWING NO RESTRICTED TO
 A100779C=6450849

MATERIAL FINISH TOLERANCES UNLESS OTHERWISE SPECIFIED:
 0 PLC ±.01
 1 PLC ±.01
 2 PLC ±.01
 3 PLC ±.005
 4 PLC ±.0020
 ANGLES ±.020

CUSTOMER DRAWING SCALE 4:1 SHEET 1 OF 5 REV C6

LOC	DIST	REVISIONS			
P	LTN	DESCRIPTION	DATE	OWN	APVD
-	-	SEE SHEET 1	-	-	-

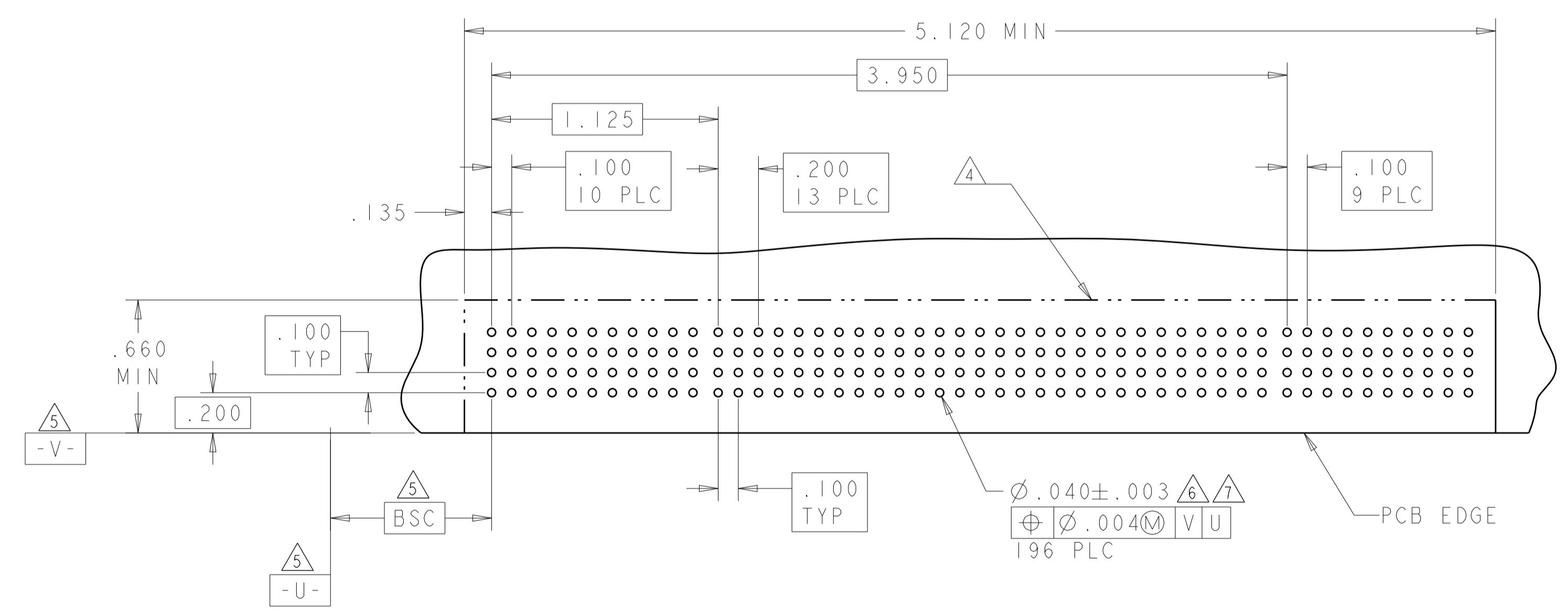
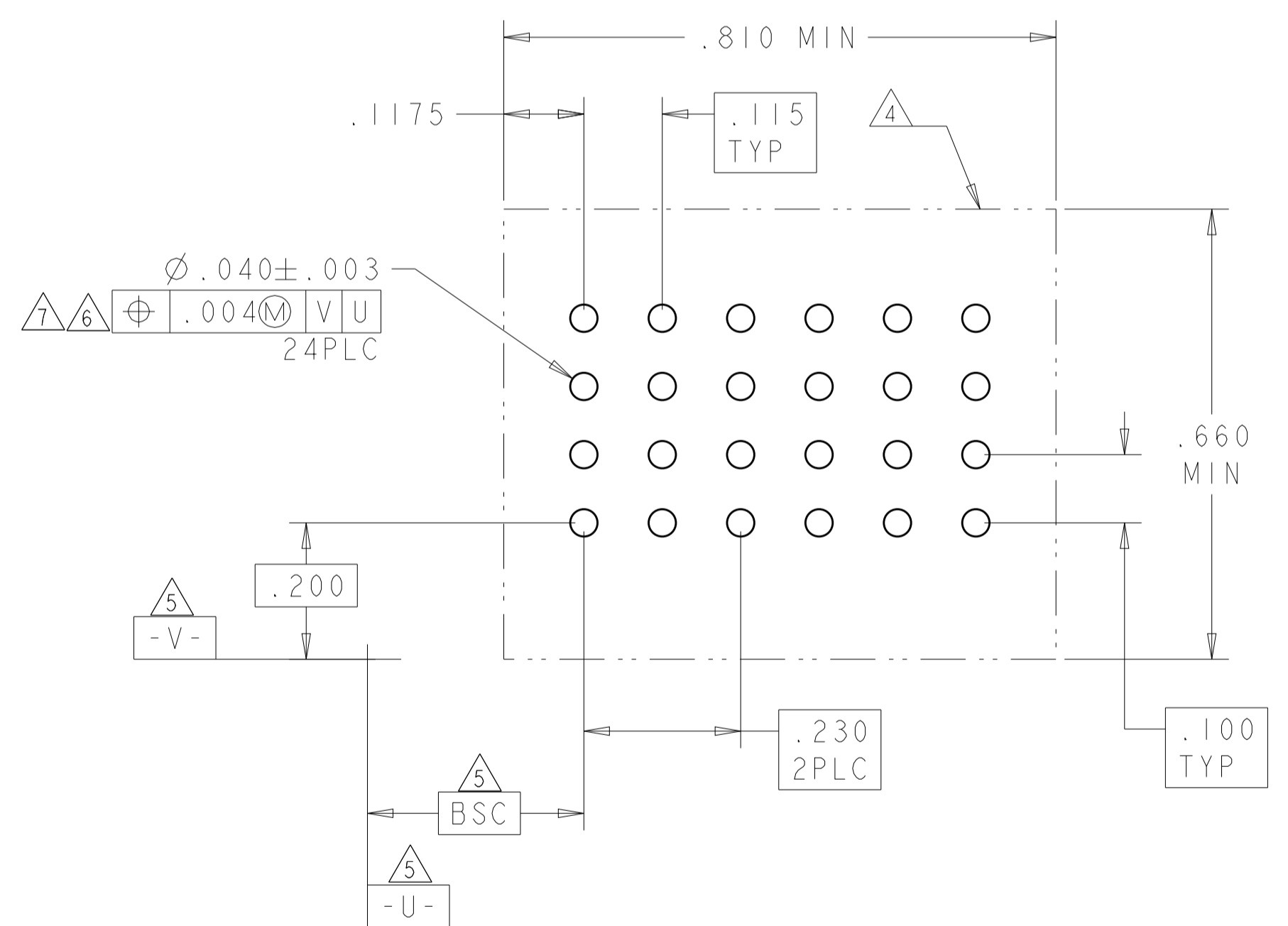
PART NUMBER	POWER					
	LP1	LP2	LP3	LP4	LP5	LP6
6450849-1	LT	LT	LT	LTF	LTF	LTF
6 LP						



PART NUMBER: 6450849-2

ASSY PART NUMBER	ROWS	SIGNAL										POWER										SIGNAL												
		1	2	3	4	5	6	7	8	9	10	P1	P2	P3	P4	P5	P6	P7	P8	P9	P10	P11	P12	P13	P14	1	2	3	4	5	6	7	8	9
6450849-2	D	Z5	Z5	Z5	Z5	Z5	Z5	Z5	Z5	Z5	TT	TT	TT	TT	TT	TT	TT	TT	TT	TT	TT	TT	TT	TT	Z5	Z5	Z5	Z5	Z5	Z5	Z5	Z5	Z5	Z5
	C	Y5	Y5	Y5	Y5	Y5	Y5	Y5	Y5	Y5	TT	TT	TT	TT	TT	TT	TT	TT	TT	TT	TT	TT	TT	TT	Y5	Y5	Y5	Y5	Y5	Y5	Y5	Y5	Y5	Y5
	B	R5	R5	R5	R5	R5	R5	R5	R5	R5	TT	TT	TT	TT	TT	TT	TT	TT	TT	TT	TT	TT	TT	TT	R5	R5	R5	R5	R5	R5	R5	R5	R5	R5
	A	O5	O5	O5	O5	O5	O5	O5	O5	O5	TT	TT	TT	TT	TT	TT	TT	TT	TT	TT	TT	TT	TT	TT	O5	O5	O5	O5	O5	O5	O5	O5	O5	O5

44S + 14P + 40S



O1	.120 SIGNAL PRESS FIT CON, ROW A,MLBF
Z5	.120 SIGNAL PRESS FIT CON, ROW D,STD
Y5	.120 SIGNAL PRESS FIT CON, ROW C,STD
R5	.120 SIGNAL PRESS FIT CON, ROW B,STD
O5	.120 SIGNAL PRESS FIT CON, ROW A,STD
TT	.120 PRESS FIT POWER CON
LTF	MFBL, .120 TAIL LENGTH, PRESS FIT.
LT	STD, .120 TAIL LENGTH, PRESS FIT.
CODE	DESCRIPTION
	POWER CONTACT

THIS DRAWING IS A CONTROLLED DOCUMENT.

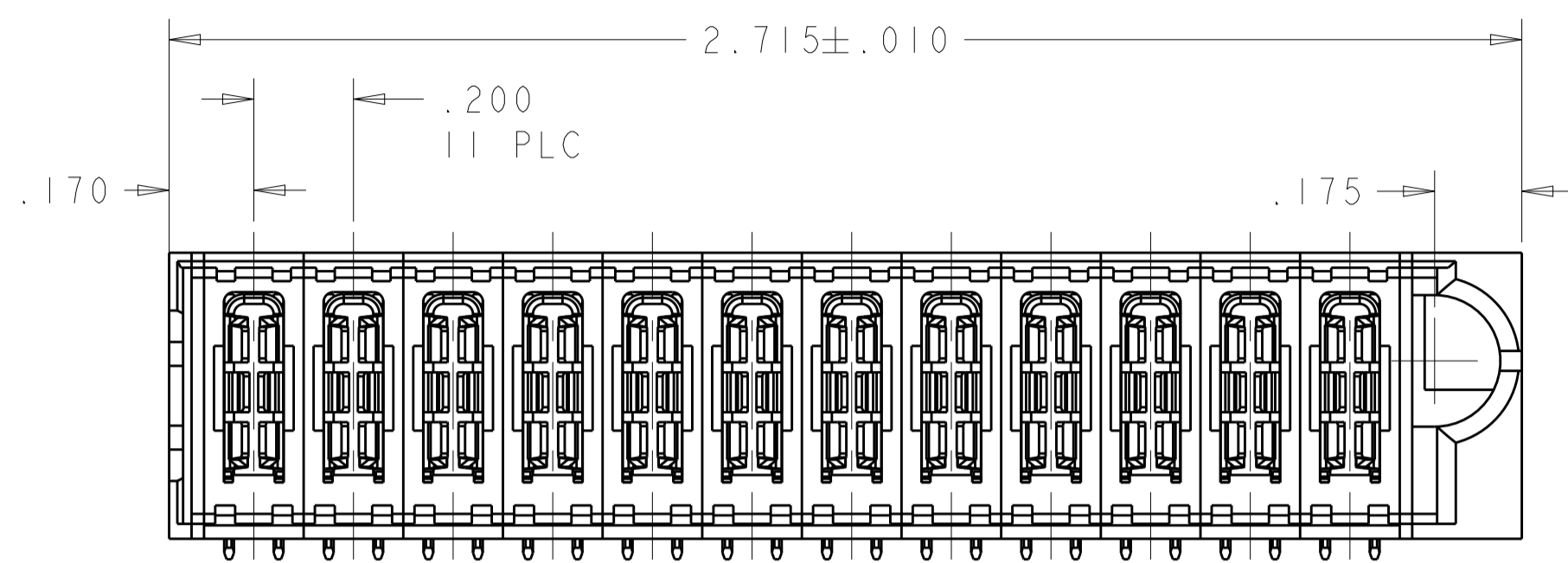
DIMENSIONS: INCHES
 TOLERANCES UNLESS OTHERWISE SPECIFIED:
 0 PLC ±.
 1 PLC ±.01
 2 PLC ±.01
 3 PLC ±.005
 4 PLC ±.0020
 ANGLES ±.020
 FINISH:

DWG: H.LIU 30APR2008
 CHK: S.ZHAO 30APR2008
 APVD: S.YAO
 PRODUCT SPEC: 108-2292
 APPLICATION SPEC: 114-13038
 WEIGHT: -
 CUSTOMER DRAWING

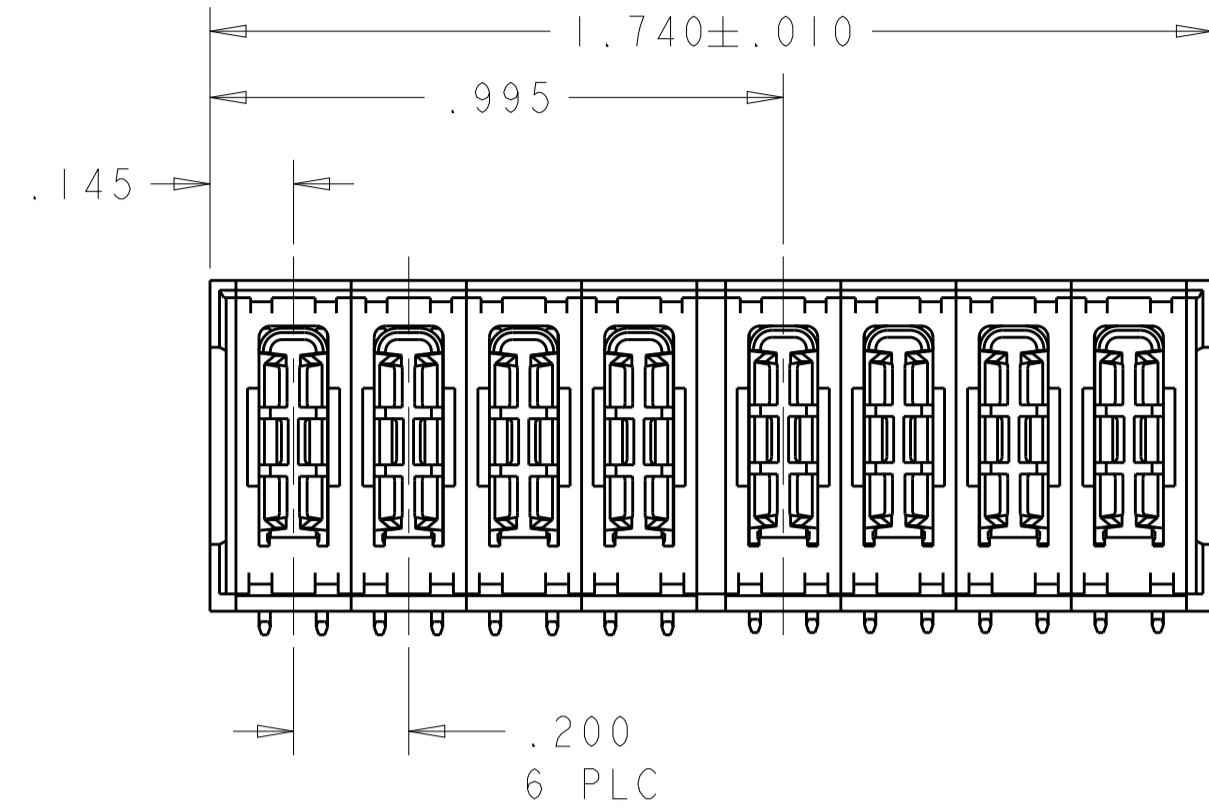
NAME: RIGHT ANGLE HEADER ASSEMBLY NO GUIDES MULTI-BEAM XLE
 SIZE: A1
 CAGE CODE: 100779
 DRAWING NO: 6450849
 SCALE: 4:1
 SHEET: 2 OF 5
 REV: C6

STE TE Connectivity

LOC	DIST	REVISIONS			
P	LTN	DESCRIPTION	DATE	DWN	APVD
ES	00	SEE SHEET 1			

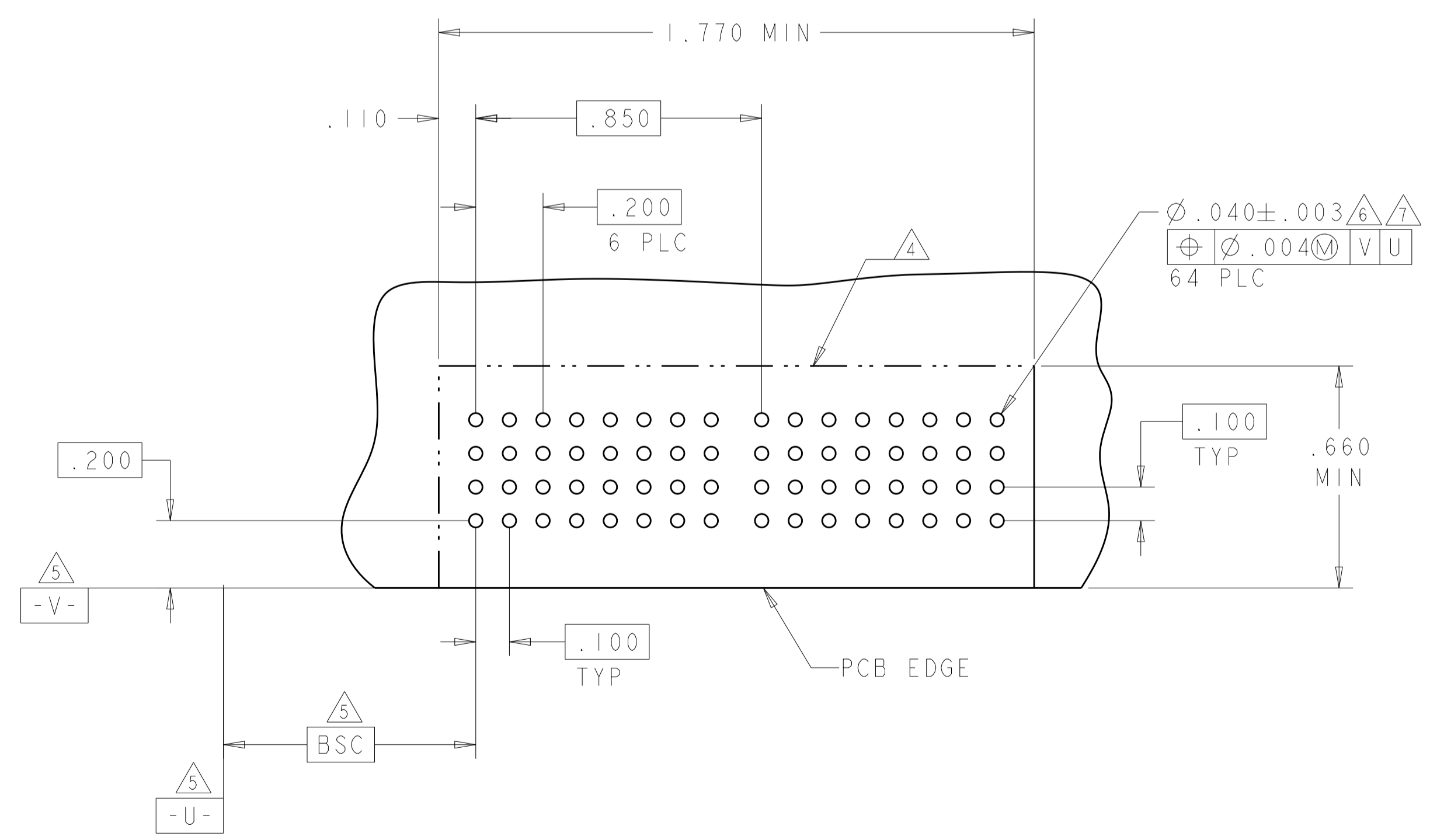
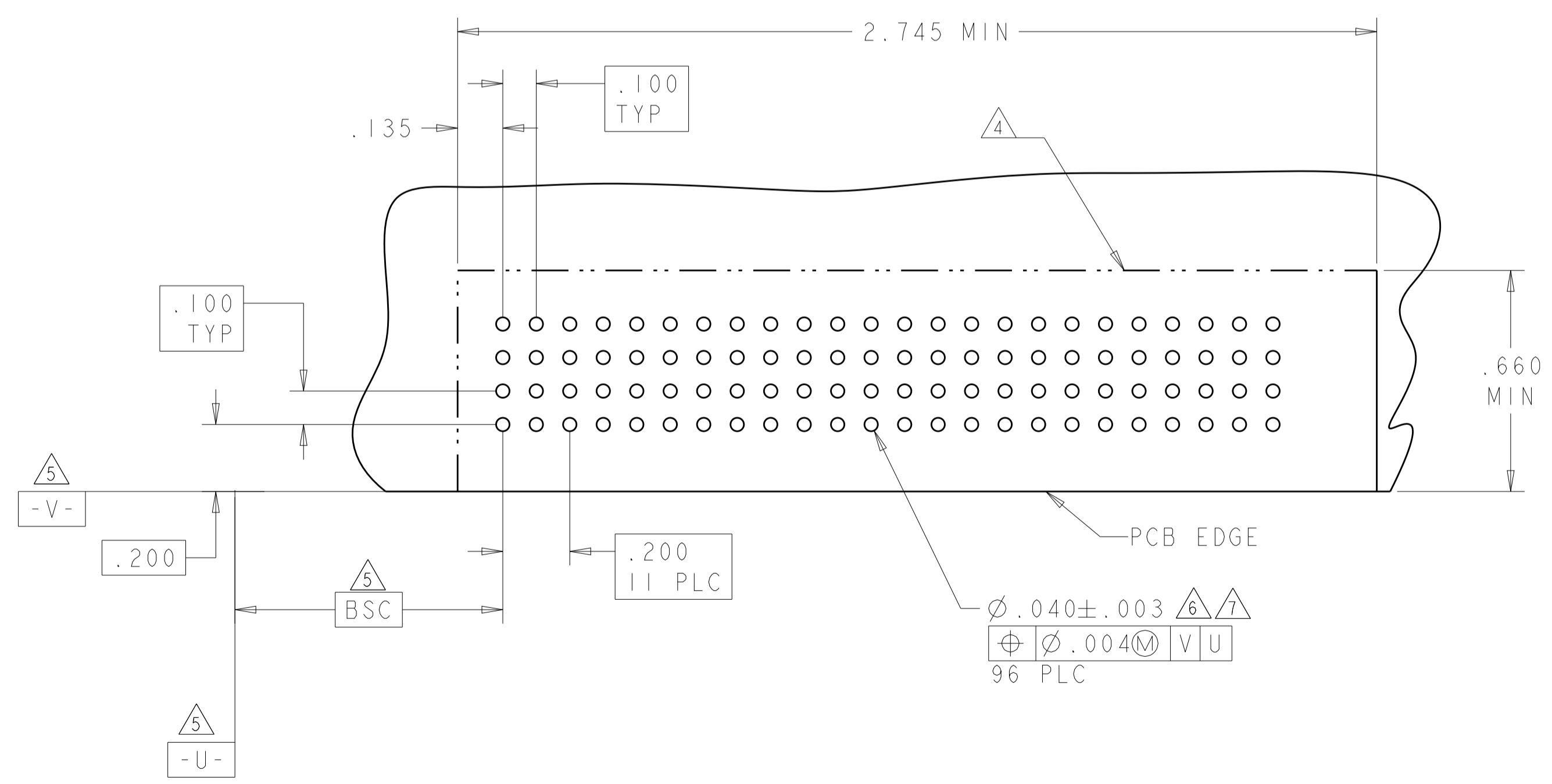


PART NUMBER: 6450849-3



ASSY PART NUMBER	POWER											
	P1	P2	P3	P4	P5	P6	P7	P8	P9	P10	P11	P12
6450849-3	TT	TT	TT	TT	TT	TT	TT	TT	TT	TT	TT	TT
12P												

PART NUMBER	ROWS	POWER							
		P1	P2	P3	P4	P5	P6	P7	P8
6450849-4	D								
	C	TT	TT	TT	TT	TT	TT	TT	TT
	B								
	A								
8P									



THIS DRAWING IS A CONTROLLED DOCUMENT.

DIMENSIONS: INCHES

TOLERANCES UNLESS OTHERWISE SPECIFIED:

0 PLC	±
1 PLC	±.01
2 PLC	±.01
3 PLC	±.005
4 PLC	±.0020
ANGLES	±.0020
FINISH	±.0020

MATERIAL: -

OWN: H. LIU 30APR2008
CHK: S. ZHAO 30APR2008
APVD: S. YAO

NAME: RIGHT ANGLE HEADER ASSEMBLY NO GUIDES MULTI-BEAM XLE

PRODUCT SPEC: 108-2292
APPLICATION SPEC: 114-13038

SIZE: A1
CAGE CODE: 100779
DRAWING NO: 6450849

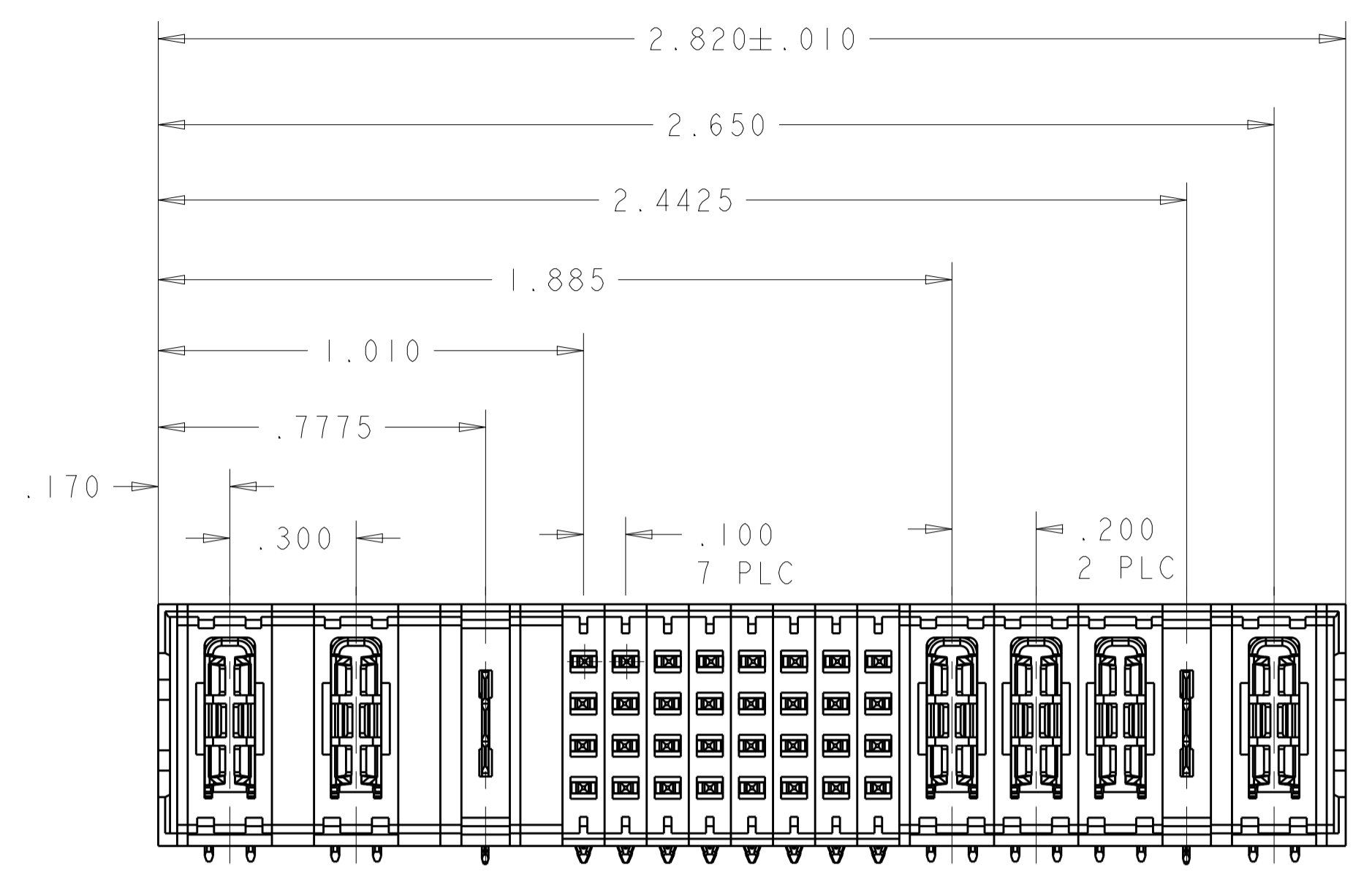
RESTRICTED TO: -

CUSTOMER DRAWING

SCALE: 4:1
SHEET: 3 OF 5
REV: C6

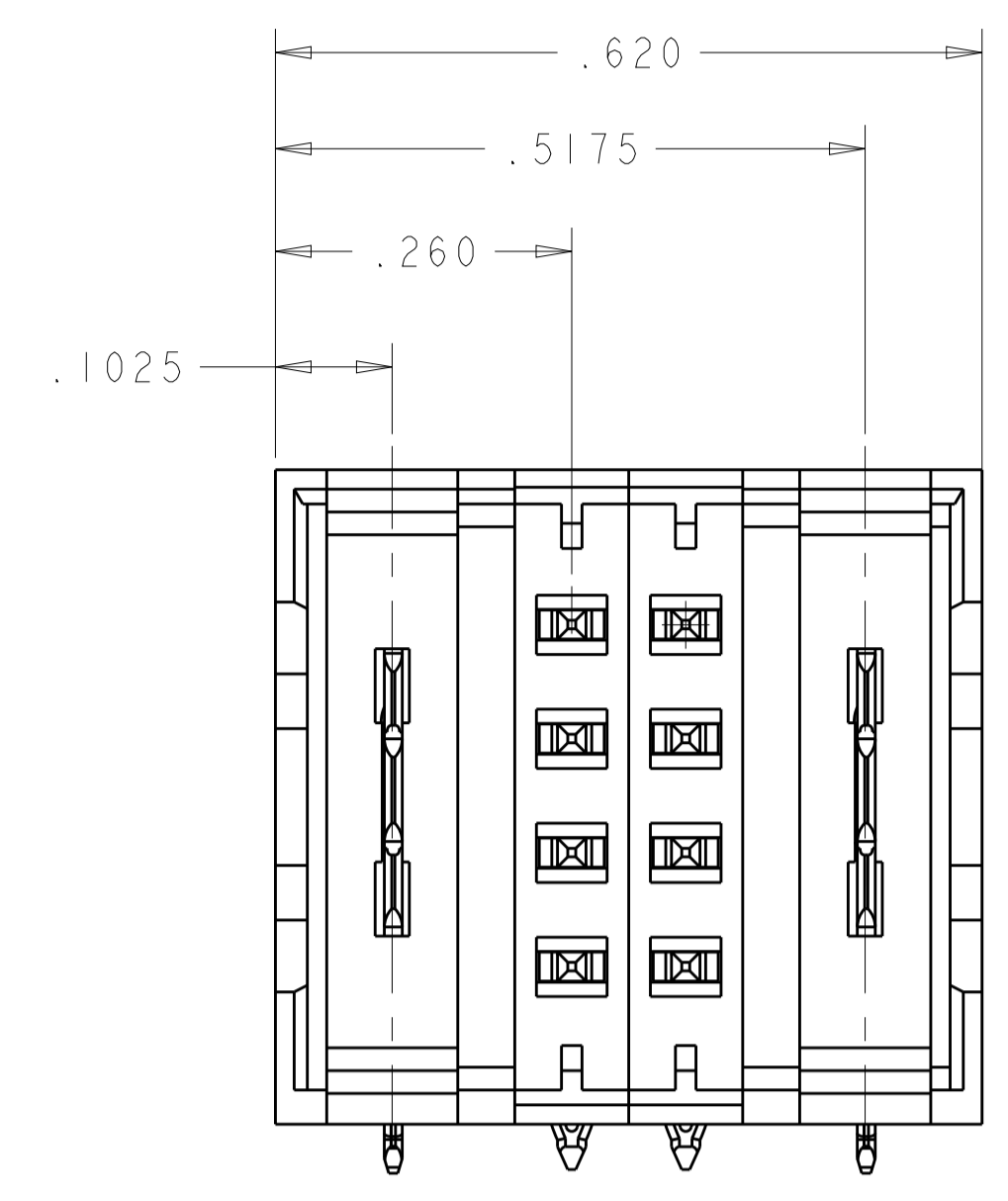
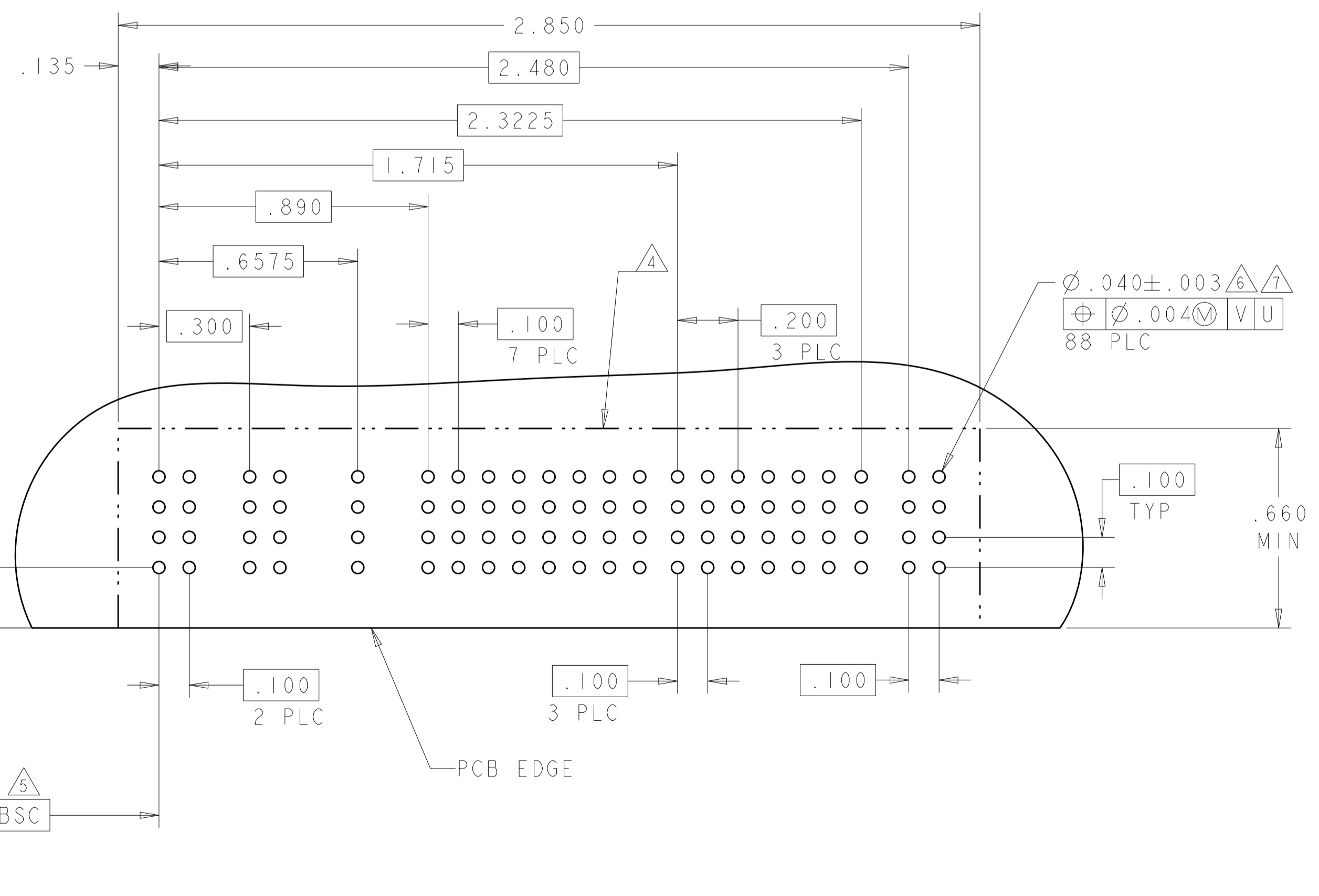
LOC	DIST	REV	DATE	BY	APPR
ES	00	00	-	-	-

REVISIONS			
REV	DATE	BY	APPR
-	-	-	-
SEE SHEET 1			



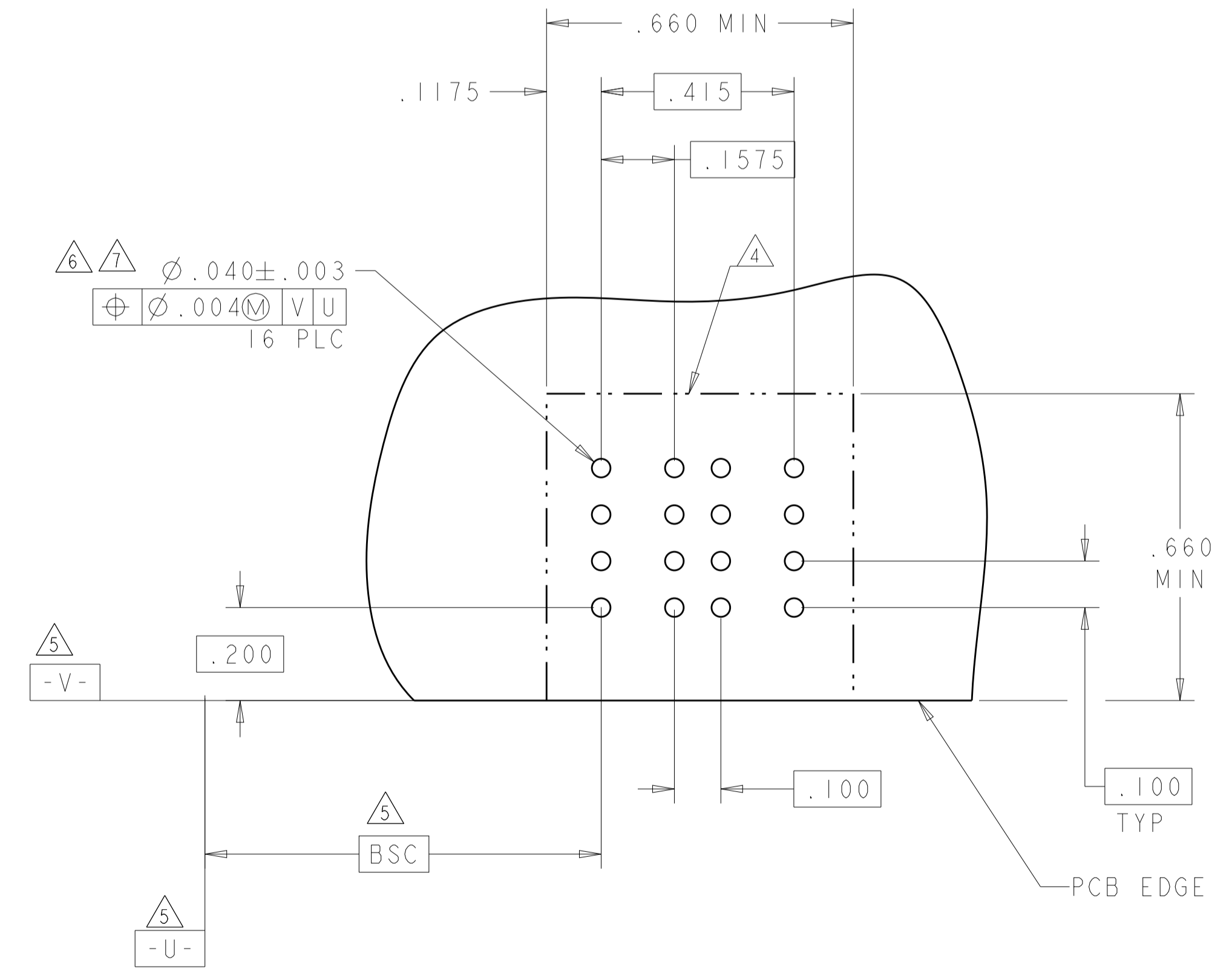
PART NUMBER	ROWS	POWER			SIGNAL								POWER					
		P1	P2	LPI	1	2	3	4	5	6	7	8	P3	P4	P5	LP2	P6	
6450849-7	D				Z5	Z5	Z5	Z5	Z5	Z5	Z5	Z5						
	C				Y5	Y5	Y5	Y5	Y5	Y5	Y5	Y5						
	B				R5	R5	R5	R5	R5	R5	R5	R5						
	A	TT	TT	LT	O5	O5	O5	O5	O5	O5	O5	O1	TT	TT	TT	LT	TT	

2ACP+1LP+32S+3HDP+1LP+1HDP



PART NUMBER	ROWS	POWER	SIGNAL		POWER
		LPI	1	2	LP2
6450849-8	D		Z5	Z5	
	C		Y5	Y5	
	B		R5	R5	
	A	LT	O5	O5	LT

1LP + 8S + 1LP

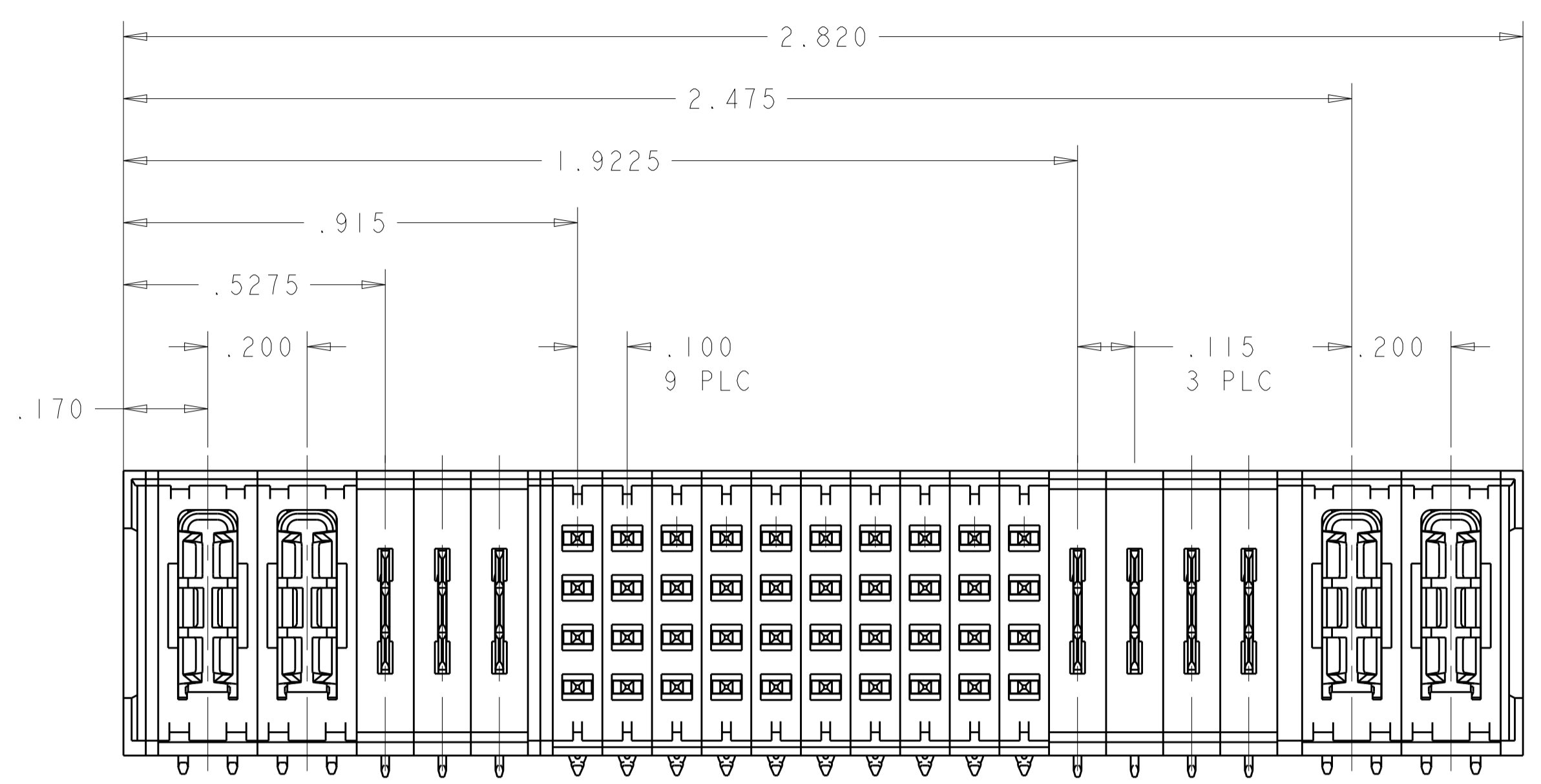


THIS DRAWING IS A CONTROLLED DOCUMENT. DIMENSIONS: INCHES. TOLERANCES UNLESS OTHERWISE SPECIFIED: 0 PLC ±.01, 1 PLC ±.01, 2 PLC ±.01, 3 PLC ±.005, 4 PLC ±.0020, ANGLES ±.2°.

DWN: H.LIU	30APR2008		NAME: RIGHT ANGLE HEADER ASSEMBLY NO GUIDES MULTI-BEAM XLE
CHK: S.ZHAO	30APR2008		
APPR: S.YAO			

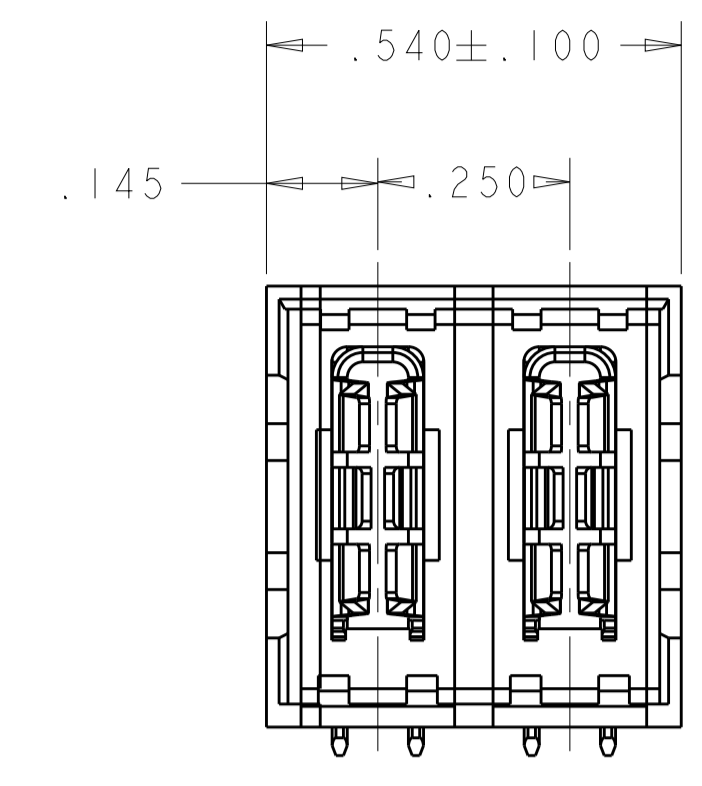
PRODUCT SPEC	108-2292	SIZE	CAGE CODE	DRAWING NO	RESTRICTED TO
APPLICATION SPEC	114-13038	A1	00779	C=6450849	-
WEIGHT		SCALE	4:1	SHEET	4 OF 5
CUSTOMER DRAWING		REV	C6		

LOC	DIST	REVISIONS			
P	LTN	DESCRIPTION	DATE	DMN	APVD
ES	00	SEE SHEET 1	-	-	-

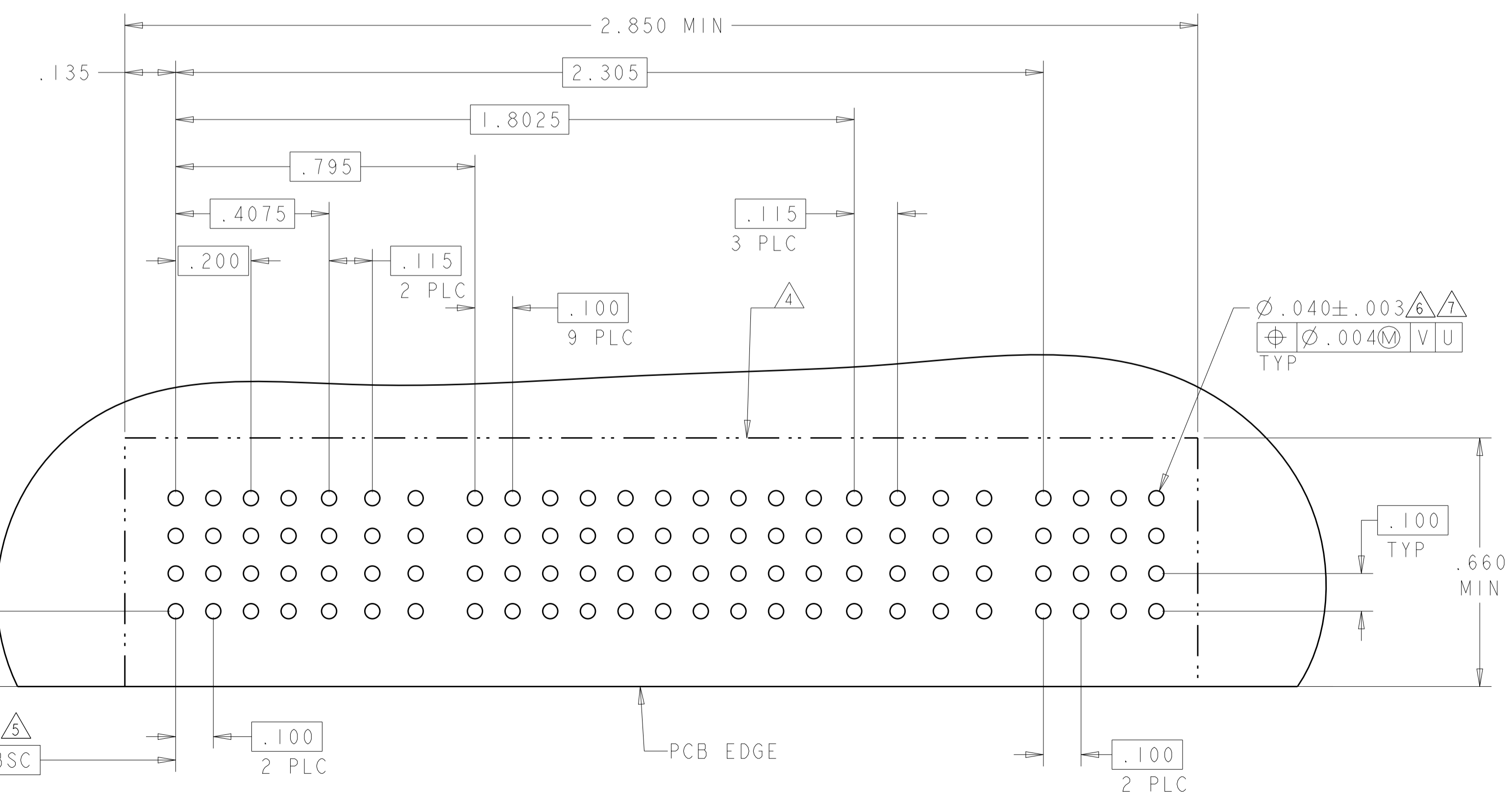


(C5)

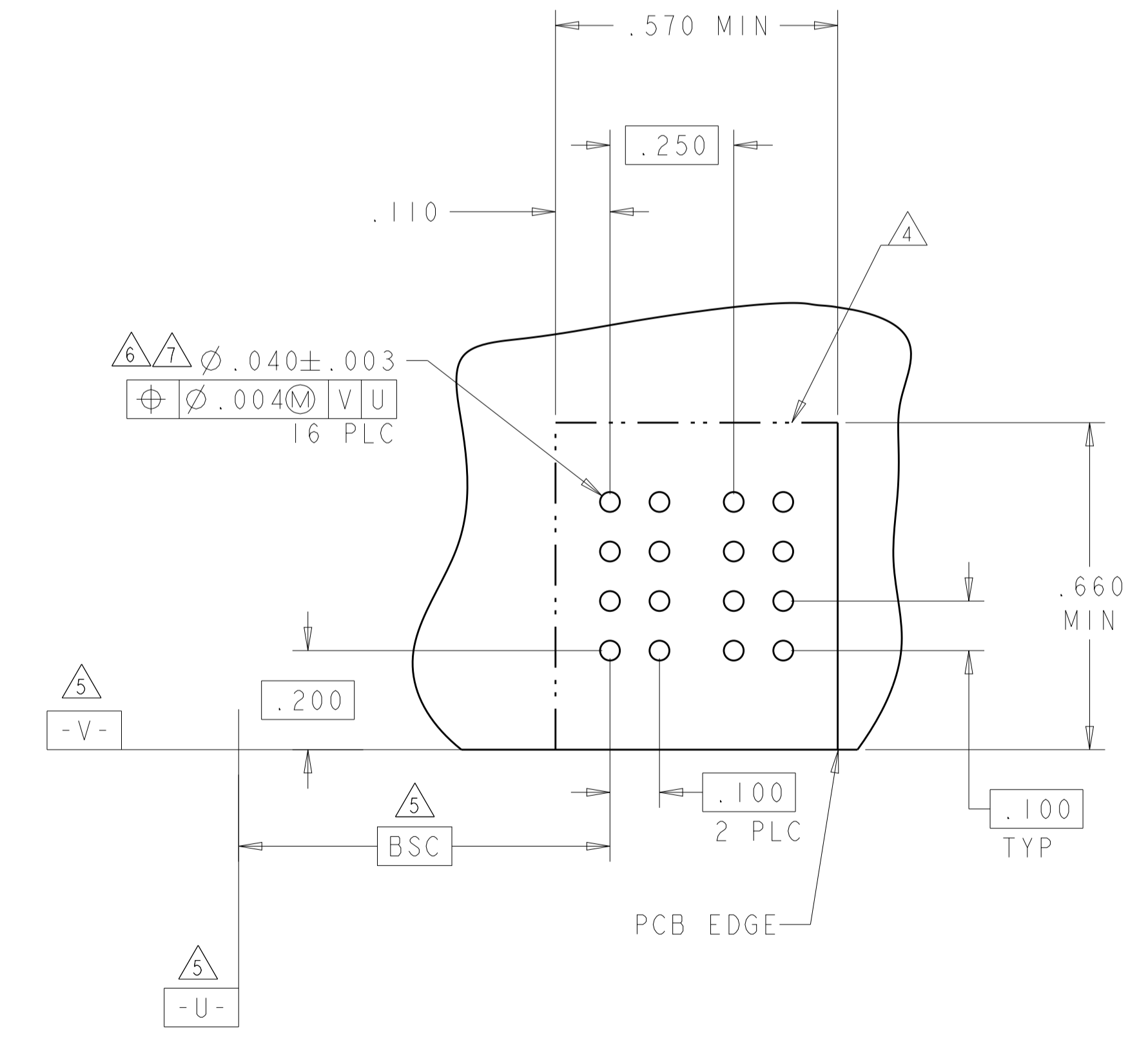
PART NUMBER	ROWS	POWER					SIGNAL										POWER					
		P1	P2	LP1	LP2	LP3	1	2	3	4	5	6	7	8	9	10	P3	P4	P5	LP2	P6	
6450849-9	D						Z5	Z5	Z5	Z5	Z5	Z5	Z5	Z5	Z5	Z5						
	C	TT	TT	LT	LT	LT	Y5	Y5	Y5	Y5	Y5	Y5	Y5	Y5	Y5							
	B						R5	R5	R5	R5	R5	R5	R5	R5	R5							
	A						O5	O5	O5	O5	O5	O5	O5	O5	O5							
2HDP+3LP+40S+4LP+2HDP																						



PART NUMBER	ROWS	POWER	
		P1	P2
I-6450849-0	D		
	C	TT	TT
	B		
	A		
2P			



(C5)



THIS DRAWING IS A CONTROLLED DOCUMENT.

DMN: H. LIU 30APR2008	CHK: S. ZHAO 30APR2008	NAME: S. YAO	PRODUCT SPEC: 108-2292	APPLICATION SPEC: 114-13038	WEIGHT: -	RESTRICTED TO: -
TE Connectivity			RIGHT ANGLE HEADER ASSEMBLY NO GUIDES MULTI-BEAM XLE			
DIMENSIONS: INCHES		TOLERANCES UNLESS OTHERWISE SPECIFIED:		MATERIAL:		FINISH:
0 PLC ±.01		1 PLC ±.01		2 PLC ±.01		3 PLC ±.01
4 PLC ±.005		5 PLC ±.005		ANGLES ±.0020		FINISH: -
CUSTOMER DRAWING		SCALE: 4:1		SHEET 5 OF 5		REV: C6