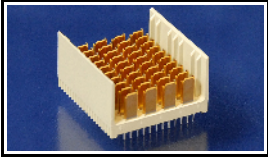


6469002-1 Product Details

[Share](#) [Print](#) [Email](#)




6469002-1

TE Internal Number: 6469002-1

 Active

[View 3D PDF](#)

Z-PACK HM-Zd Connectors and Cable Assemblies

 Always EU RoHS/ELV Compliant
(Statement of Compliance)

Product Highlights:

- Connector
- Header
- 25.4 mm Card Slot Pitch
- PCB Mounting Orientation = Vertical
- Contact Type = Pin

[View all Features](#)

Quick Links

- ▶ [Pricing & Availability](#)
- ▶ [Search for Tooling](#)
- ▶ [View Mating Products \(3\)](#)
- ▶ [Product Feature Selector](#)
- ▶ [Contact Us About This Product](#)

[Add to My Part List](#)

[Request Sample](#)

[Find Similar Products](#)

[Buy Product](#)

Documentation & Additional Information

Product Drawings:

- [HEADER ASSEMBLY, 4 PAIR, 2.5mm TAIL, 25mm HMZd \(PDF, English\)](#)

Catalog Pages/Data Sheets:

- [The Complete Solution for AdvancedTCA \(PDF, English\)](#)
- [High Speed Backplane Interconnect Solutions Brochure... \(PDF, English\)](#)
- [High Speed Backplane Connectors catalog - Z-PACK HM-... \(PDF, English\)](#)
- [Solutions for AdvancedTCA, AdvancedTCA 300, MicroTCA... \(PDF, English\)](#)

Product Specifications:

- [Two, Three and Four Pair HM-Zd Connectors \(PDF, English\)](#)

Application Specifications:

- [Z-PACK Hard Metric \(HM\)-Zd and HM-Zd Plus 2-, 3-, an... \(PDF, English\)](#)

Instruction Sheets:

- None Available

CAD Files: (CAD Format & Compression Information)

- [2D Drawing \(DXF, Version A\)](#)
- [3D Model \(IGES, Version A\)](#)
- [3D Model \(STEP, Version A\)](#)

[List all Documents](#)

Additional Information:

- [Product Line Information](#)

Related Products:

- [Tooling](#)
- [Mating Products \(3\)](#)

Product Features (Please use the Product Drawing for all design activity)

Product Type Features:

- [Product Type](#) = Connector
- [Connector Type](#) = Header
- [PCB Mounting Orientation](#) = Vertical

Termination Features:

- [Contact Termination Type](#) = Through Hole
- [Interface Type](#) = HM-Zd
- [Termination Method](#) = Press Fit
- [Termination End Plating](#) = Tin over Nickel

Housing Features:

- [Centerline \(mm \[in\]\)](#) = 2.50 [0.098]
- [Housing Material](#) = Polyester - GF

Configuration Features:

- [Number of Pairs per Column](#) = 4
- [Number of Pairs per Connector](#) = 40
- [Sequenced Pins](#) = No
- [Number of Positions](#) = 80

Industry Standards:

Dimensions:

- Card Slot Pitch (mm [in]) = 25.4 [1]
- Module Length (mm [in]) = 24.90 [0.980]

Body Features:

- Columns per Connector = 10
- Selectively Loaded = No
- Shield Material = Phosphor bronze

Contact Features:

- Contact Type = Pin
- Contact Configuration = ACTION PIN Post
- Feedthrough Post Length (mm [in]) = 2.50 [0.098]
- Contact Mating Area Length (mm [in]) = 5.30 [0.209]
- Contact Base Material = Phosphor Bronze

- AdvancedTCA Specified Product = Yes
- RoHS/ELV Compliance = RoHS compliant, ELV compliant
- Lead Free Solder Processes = Not relevant for lead free process
- RoHS/ELV Compliance History = Always was RoHS compliant

Other:

- Brand = AMP

Corporate Information

[About TE](#)
[Investors](#)
[News Room](#)
[Supplier Portal](#)
[Careers](#)
[Terms & Conditions](#)
[Privacy Policy](#)
[AODA Accessibility Policy](#)
[AODA Multi-Year Accessibility Plan](#)

Quick Links

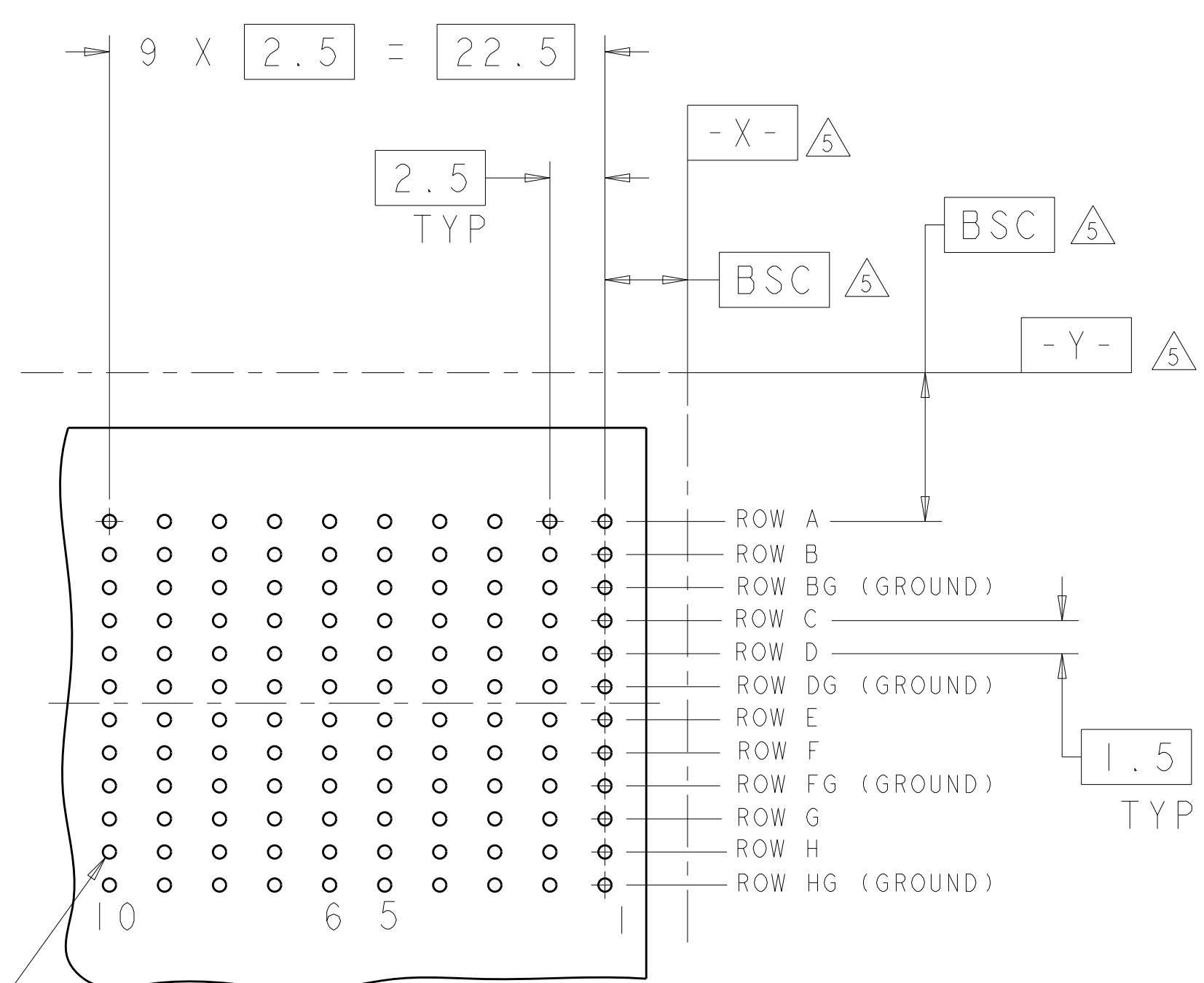
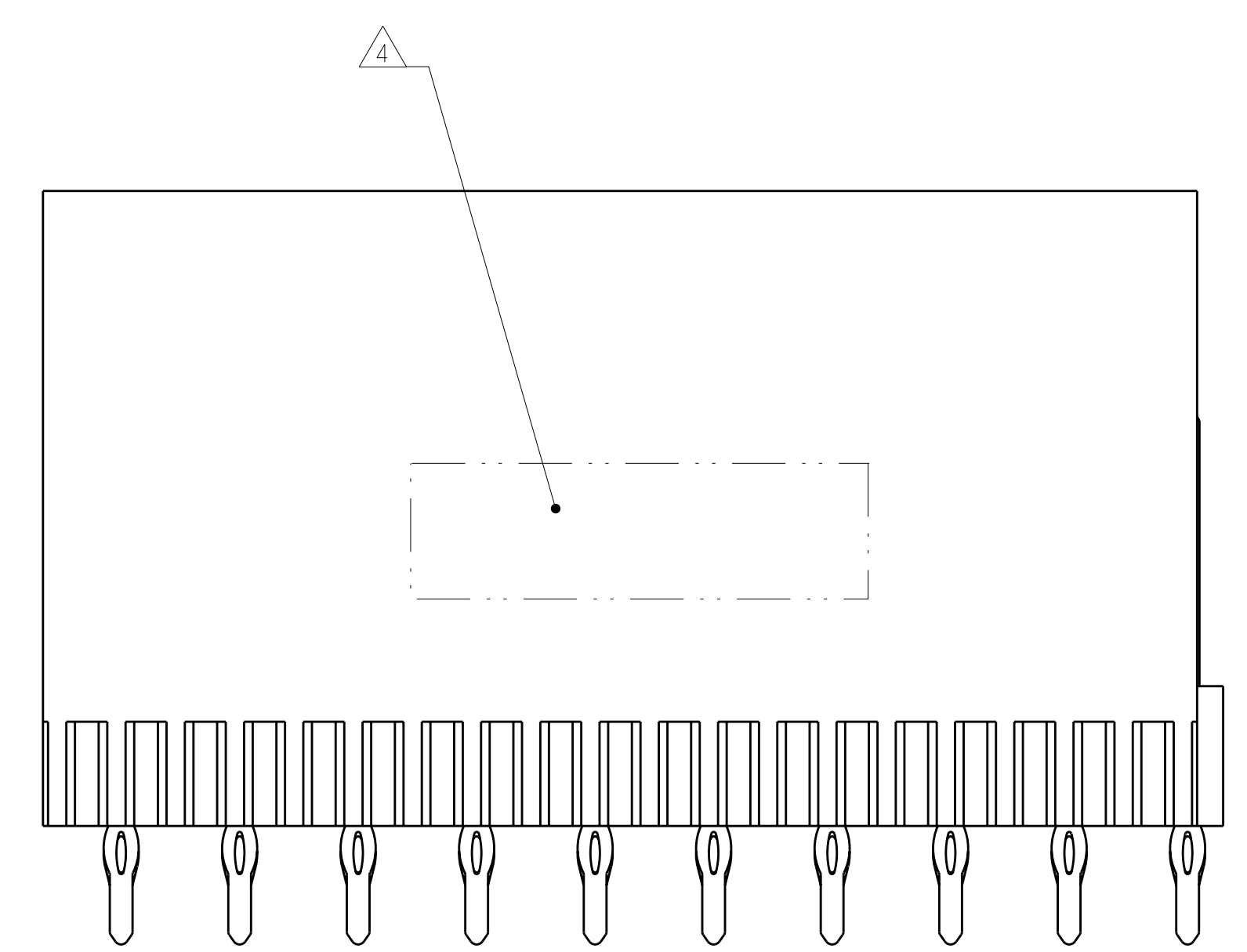
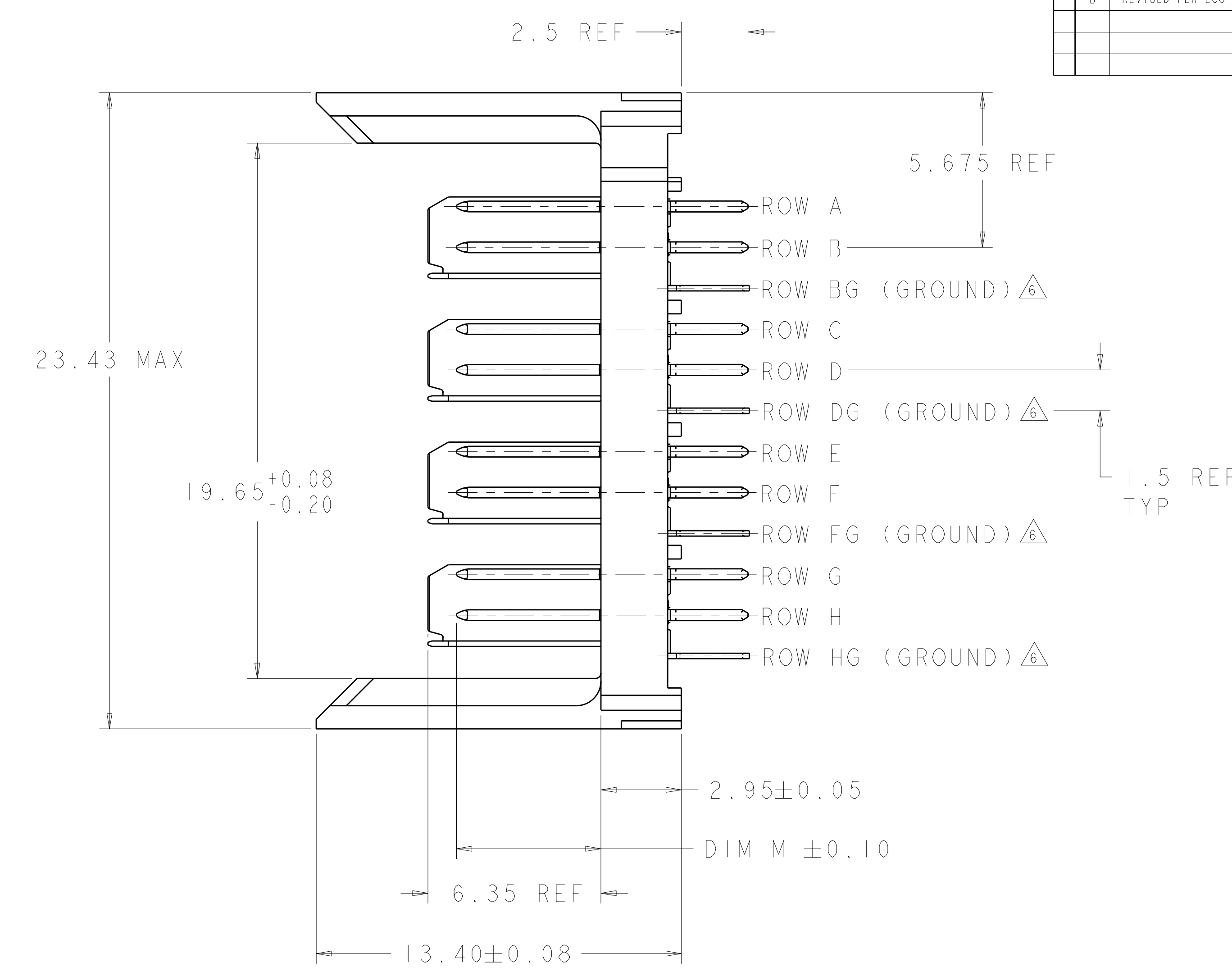
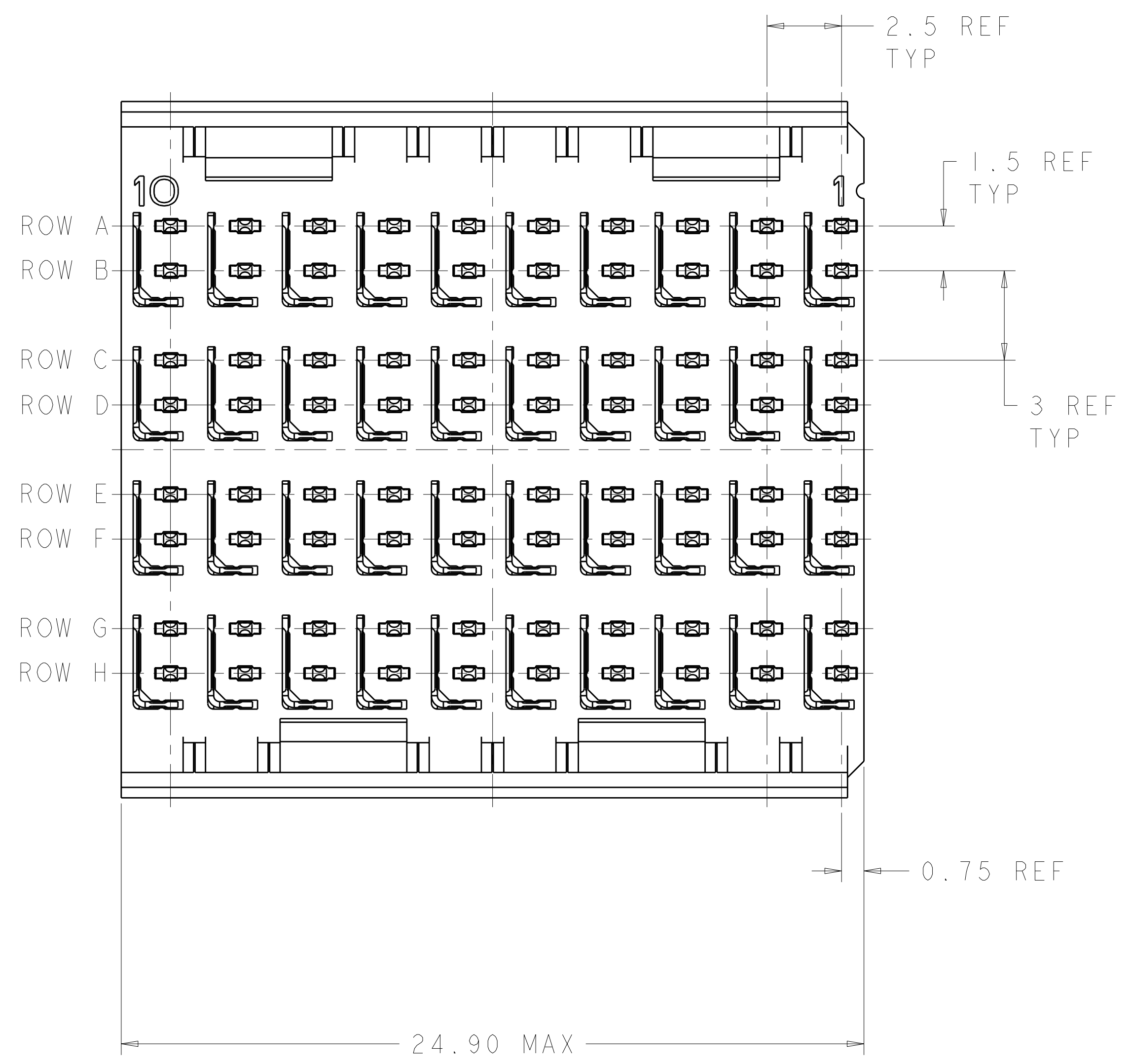
[Distributor Inventory](#)
[Product Cross Reference](#)
[Documents & Drawings](#)
[Product Compliance Support Center](#)
[Site Map](#)

Customer Support

[Email or Chat With Us](#)
[Find a Phone Number](#)
[Knowledge Base](#)
[Manage Your Account](#)

Keep Me Informed

LOC		DIST		REVISIONS			
AD	00	P	LTR	DESCRIPTION	DATE	DWN	APVD
		B		REVISED PER ECO-12-000118	17JAN12	KH	DY



- ① REFERENCE APPLICATION SPEC 114-13059 FOR RECOMMENDED PLATED THRU HOLE DIAMETER AND PLATING THICKNESSES.
- ② MATERIAL:
CONTACT AND SHIELD - PHOSPHOR BRONZE
HOUSING - GLASS FILLED POLYESTER, UL 94V-0.
- ③ FINISH: SIGNAL AND GROUND CONTACTS:
MATING AREA: MEETS THE PERFORMANCE REQUIREMENTS OF PRODUCT SPECIFICATION 108-2055; BASED ON TELCORDIA GR-1217-CORE, APPLICATIONS IN UNCONTROLLED ENVIRONMENTS
COMPLIANT PIN AREA: 0.5µm MIN MATTE TIN OVER BASE PLATING
- ④ CONNECTOR MARKED WITH PART NUMBER AND DATE CODE.
- ⑤ DATUMS AND BASIC DIMENSIONS ESTABLISHED BY CUSTOMER.
- ⑥ THE FOUR GROUNDS IN EACH COLUMN ARE COMMONED.
- 7. CONTACT AREA LUBRICATED WITH BELLCORE APPROVED LUBRICANT. TECHNICAL REFERENCE: GR-1217-CORE, ISSUE 1, NOVEMBER 1995.

⌀ 0.05 X Y
 ALL PLATED THRU HOLES

RECOMMENDED PC BOARD LAYOUT, BACKPLANE, COMPONENT SIDE SHOWN
 SCALE 4:1

3.80	6469002-2
5.30	6469002-1
DIM M	PART NUMBER

THIS DRAWING IS A CONTROLLED DOCUMENT.		DWN S. J. MAGARO 17JUN2004	TE Connectivity
DIMENSIONS: mm		CHK R. A. PATTERSON 17JUN2004	
TOLERANCES UNLESS OTHERWISE SPECIFIED:		APVD R. PATTERSON 16AUG2007	NAME
9 PLC ±		PRODUCT SPEC	HEADER ASSEMBLY, 4 PAIR, 2.5mm TAIL, 25mm HMZd
3 PLC ±		APPLICATION SPEC	
5 PLC ±		WEIGHT	
4 PLC ±		CUSTOMER DRAWING	
ANGLES ±		SCALE 3:1	SHEET 1 OF 1
FINISH ±		REV B	