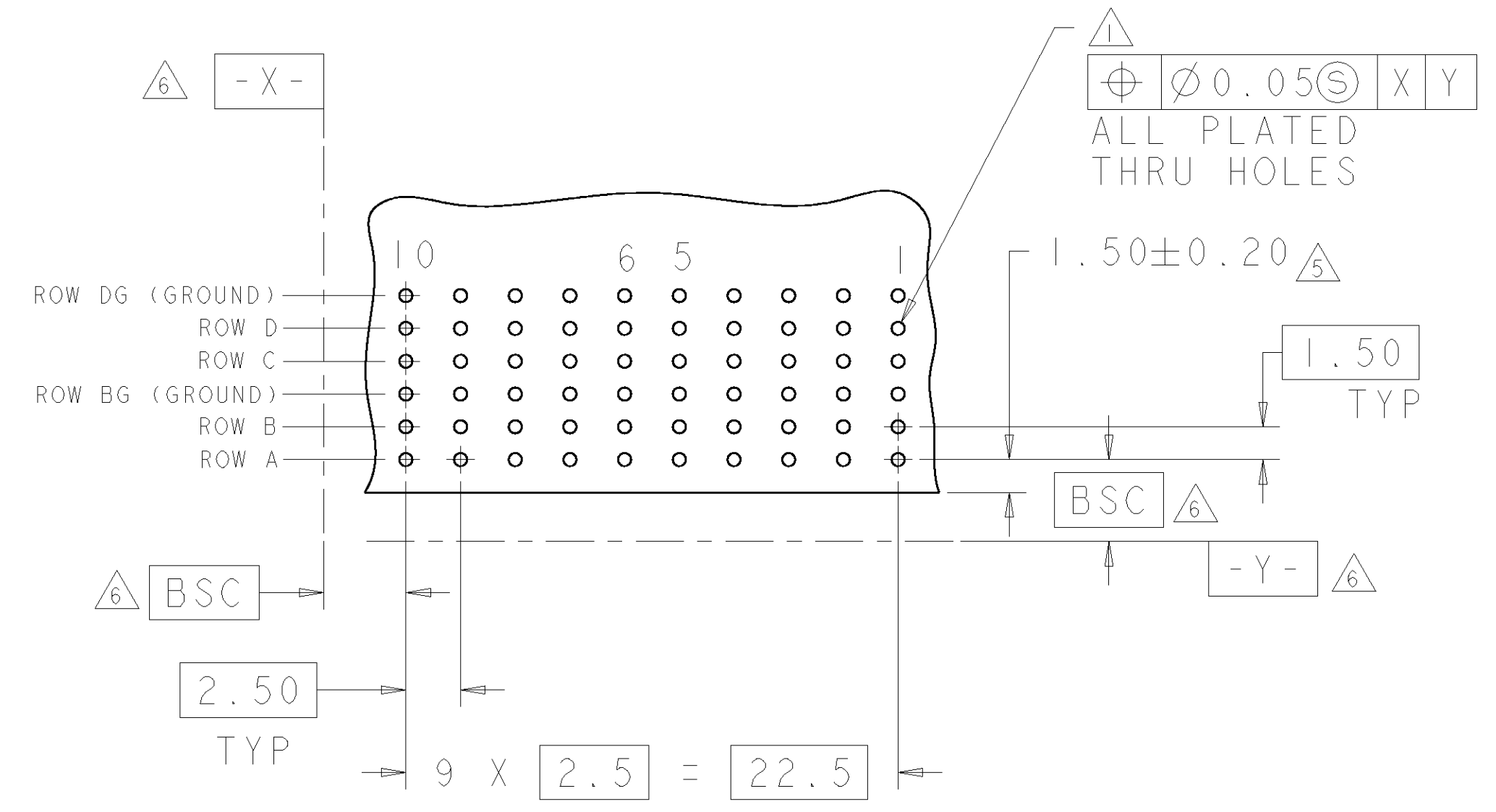
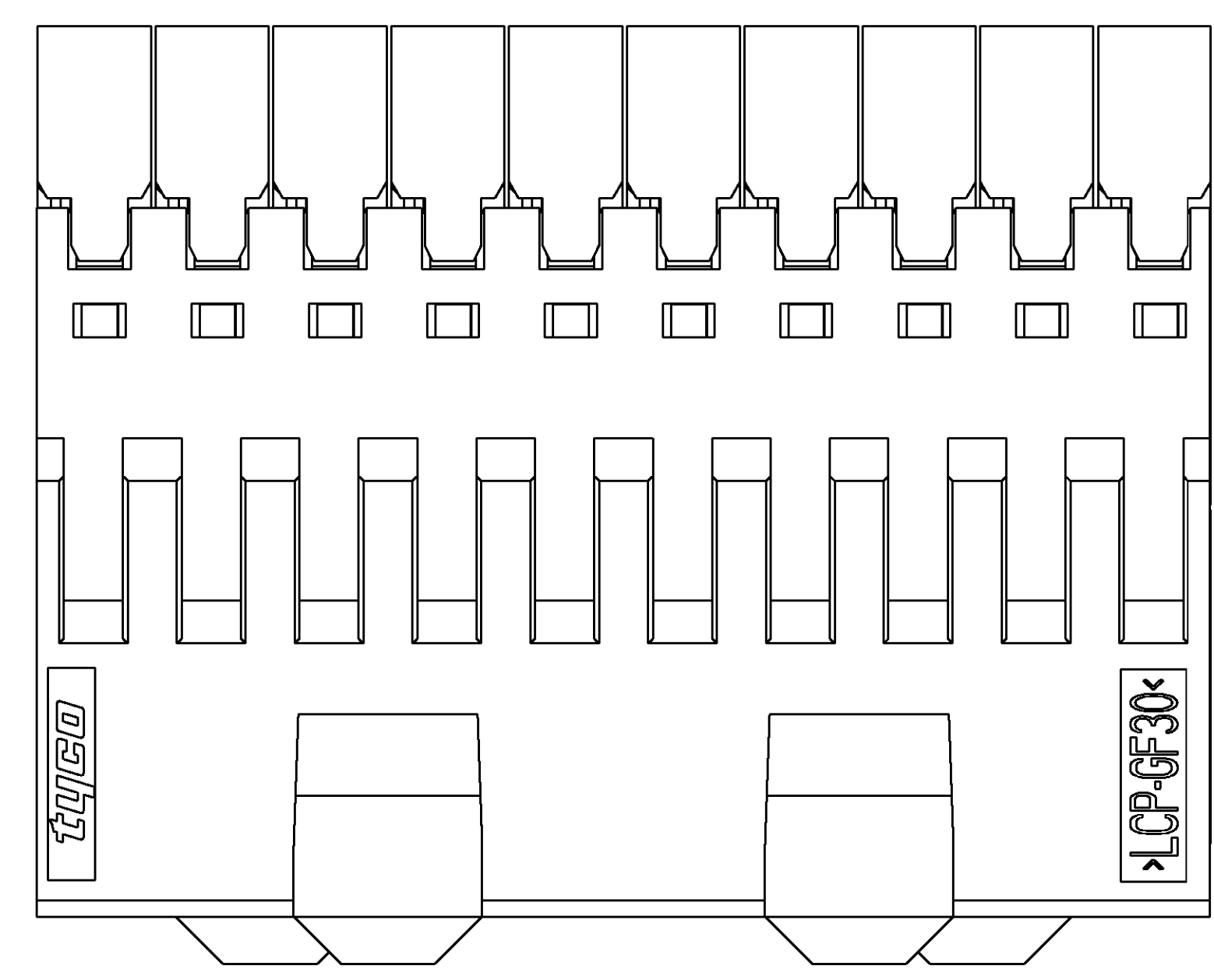
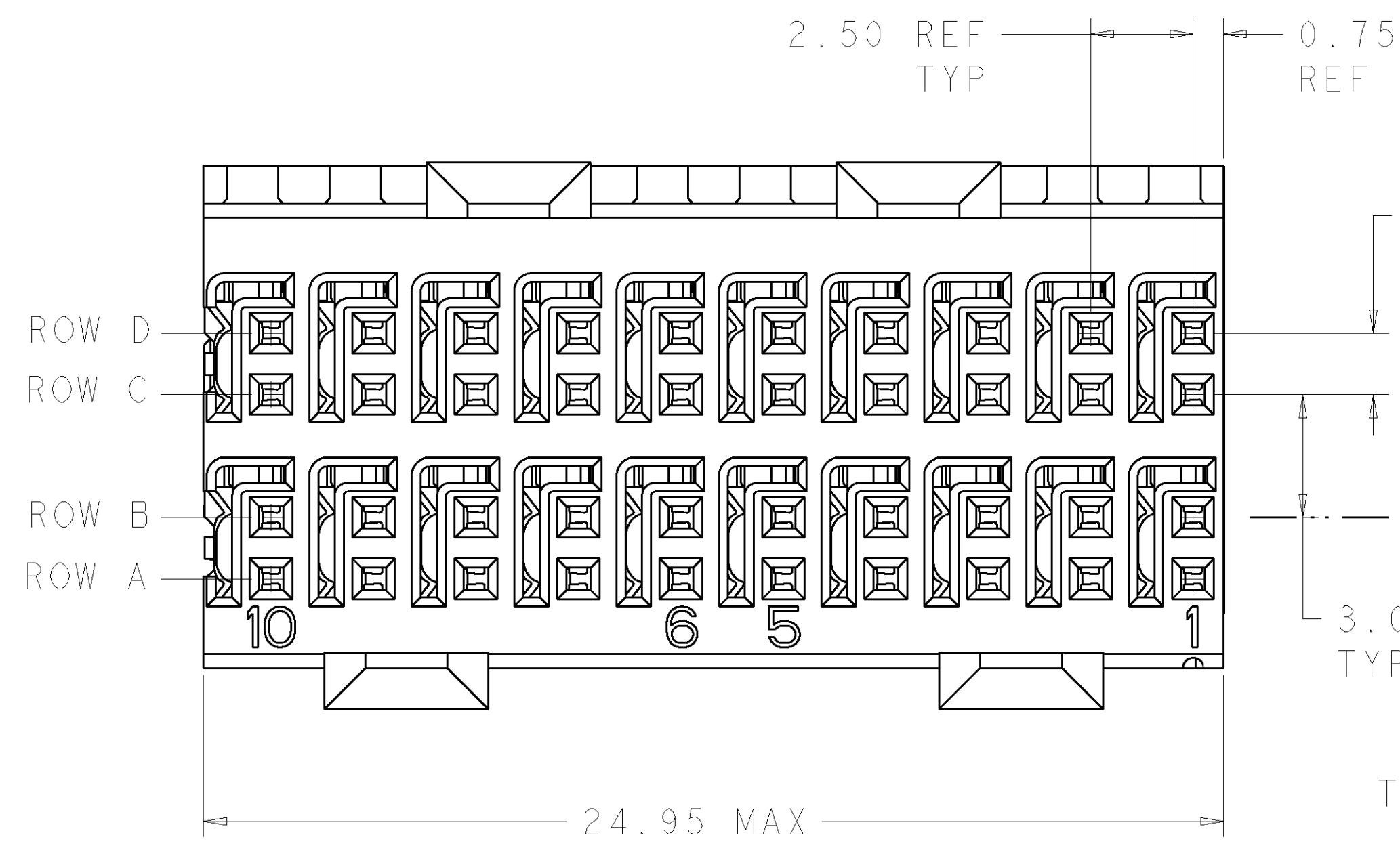


LOC		DIST		REVISIONS			
AD	00	P	LTR	DESCRIPTION	DATE	DWN	APVD
		0		REVISED PER 0512-0324-04	17JUN2004	SJM	RAP
		A		REV PER ECO-07-010692	16MAY2007	BC	RP

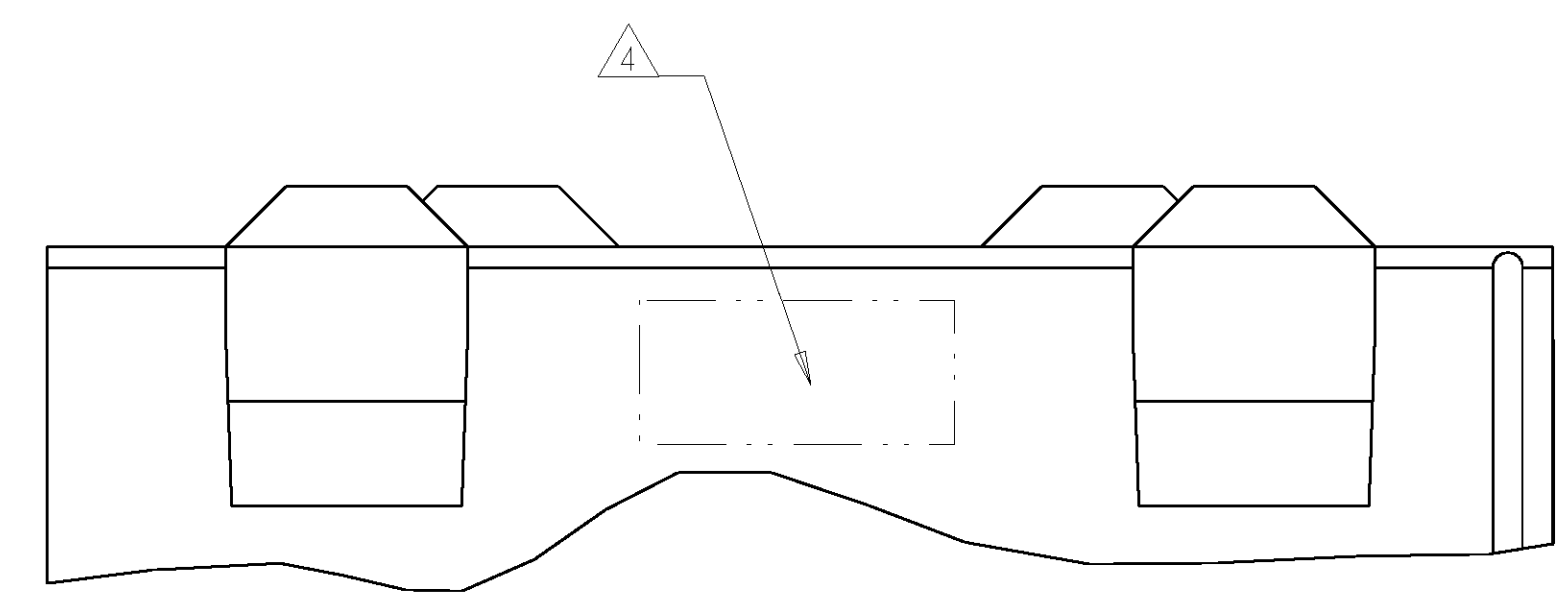
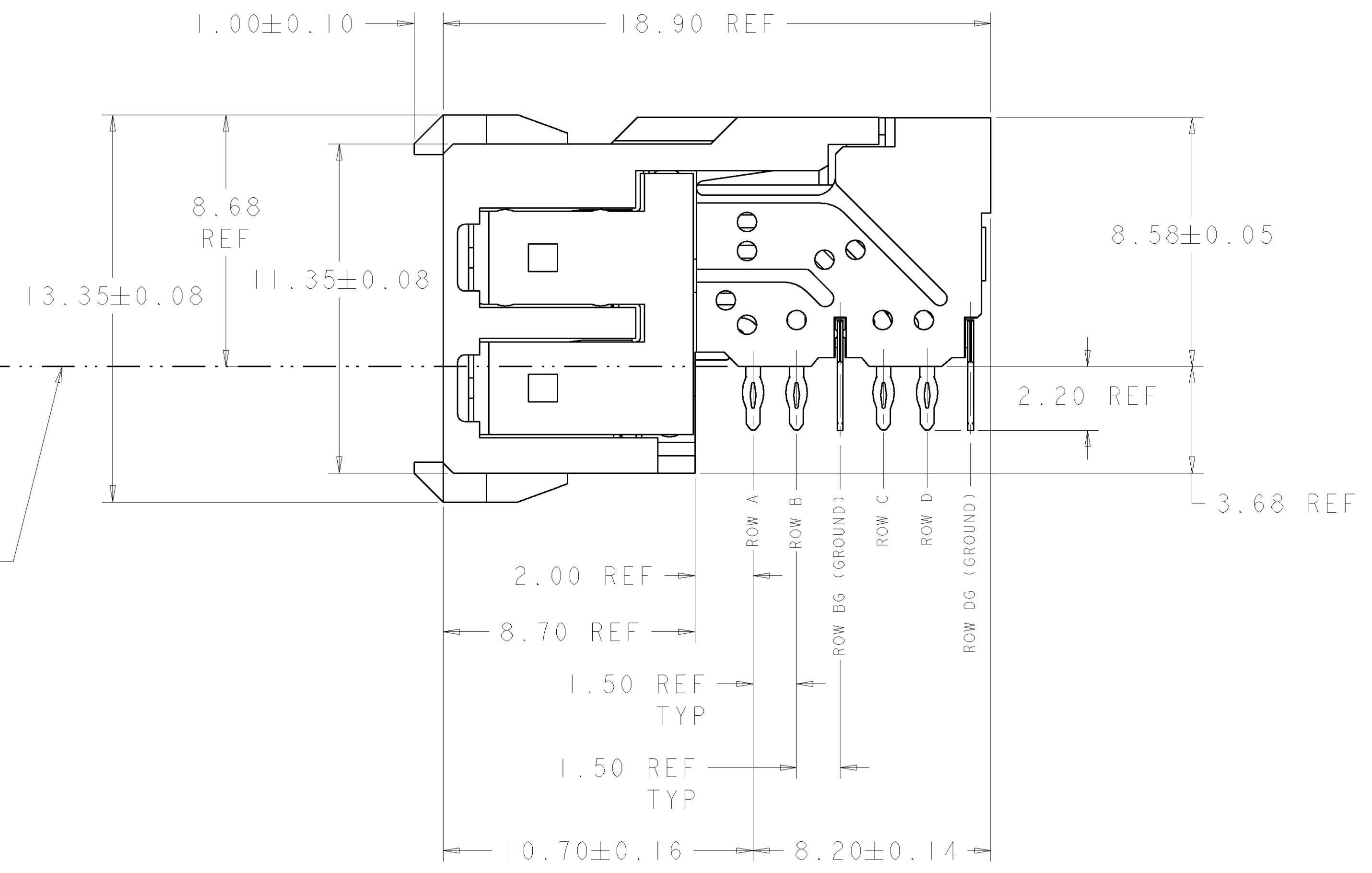


RECOMMENDED PC BOARD LAYOUT,
 DAUGHTER BOARD,
 COMPONENT SIDE SHOWN
 SCALE 4:1

- △ REFERENCE APPLICATION SPEC 114-13059 FOR RECOMMENDED PLATED THRU HOLE DIAMETER AND PLATING THICKNESSES.
- △ MATERIAL:
 SHIELD - PHOSPHOR BRONZE
 CONTACT - COPPER-NICKEL-SILICON
 HOUSING, CHICKLET AND CHICKLET COVER - GLASS FILLED POLYESTER, UL 94V-0 RATED.
- △ FINISH: CONTACT AND SHIELD
 MATING AREA - $0.76\mu\text{m}$ MIN GOLD OVER $1.27\mu\text{m}$ MIN NICKEL
 COMPLIANT PIN AREA - $0.5\mu\text{m}$ MIN TIN OVER $1.27\mu\text{m}$ MIN NICKEL
- △ CONNECTOR MARKED WITH PART NUMBER AND DATE CODE IN APPROXIMATE AREA SHOWN
- △ DIMENSION APPLIES TO CENTERLINE OF THRU HOLE.
- △ DATUMS AND BASIC DIMENSIONS ESTABLISHED BY CUSTOMER.
- 7. CONTACT AREA LUBRICATED WITH BELLCORE APPROVED LUBRICANT. TECHNICAL REFERENCE: GR-1217-CORE, ISSUE 1, NOVEMBER 1995.



TOP SURFACE OF DAUGHTER CARD



6469028-1
 PART NUMBER

DIMENSIONS:		TOLERANCES UNLESS OTHERWISE SPECIFIED:		DWN: S. J. MAGARO 17JUN2004		Tyco Electronics Harrisburg, PA 17105-3608	
mm	0 PLC	±		CHK: R. A. PATTERSON 17JUN2004	NAME	RECEPTACLE ASSEMBLY, 2 PAIR, 25mm, HMZd	
	1 PLC	±		APVD: R. PATTERSON 16MAY2007	SIZE	CAGE CODE	DRAWING NO
	2 PLC	±		PRODUCT SPEC	A1	00779	6469028
	3 PLC	±		APPLICATION SPEC	SCALE	8:1	SHEET 1 OF 1
	4 PLC	±		WEIGHT	REV	A	
	ANGLES	±		CUSTOMER DRAWING			