

Distributed by:

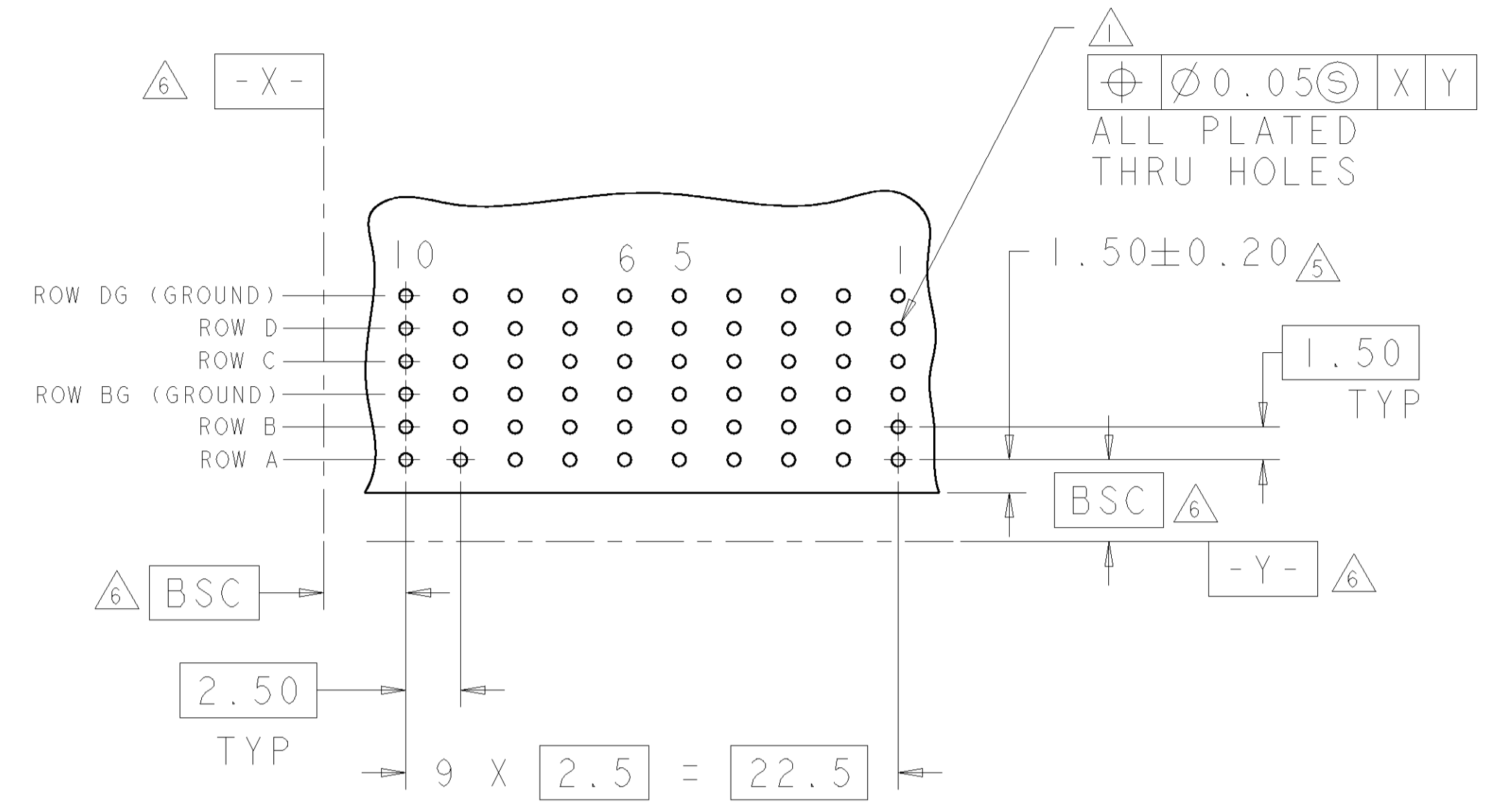
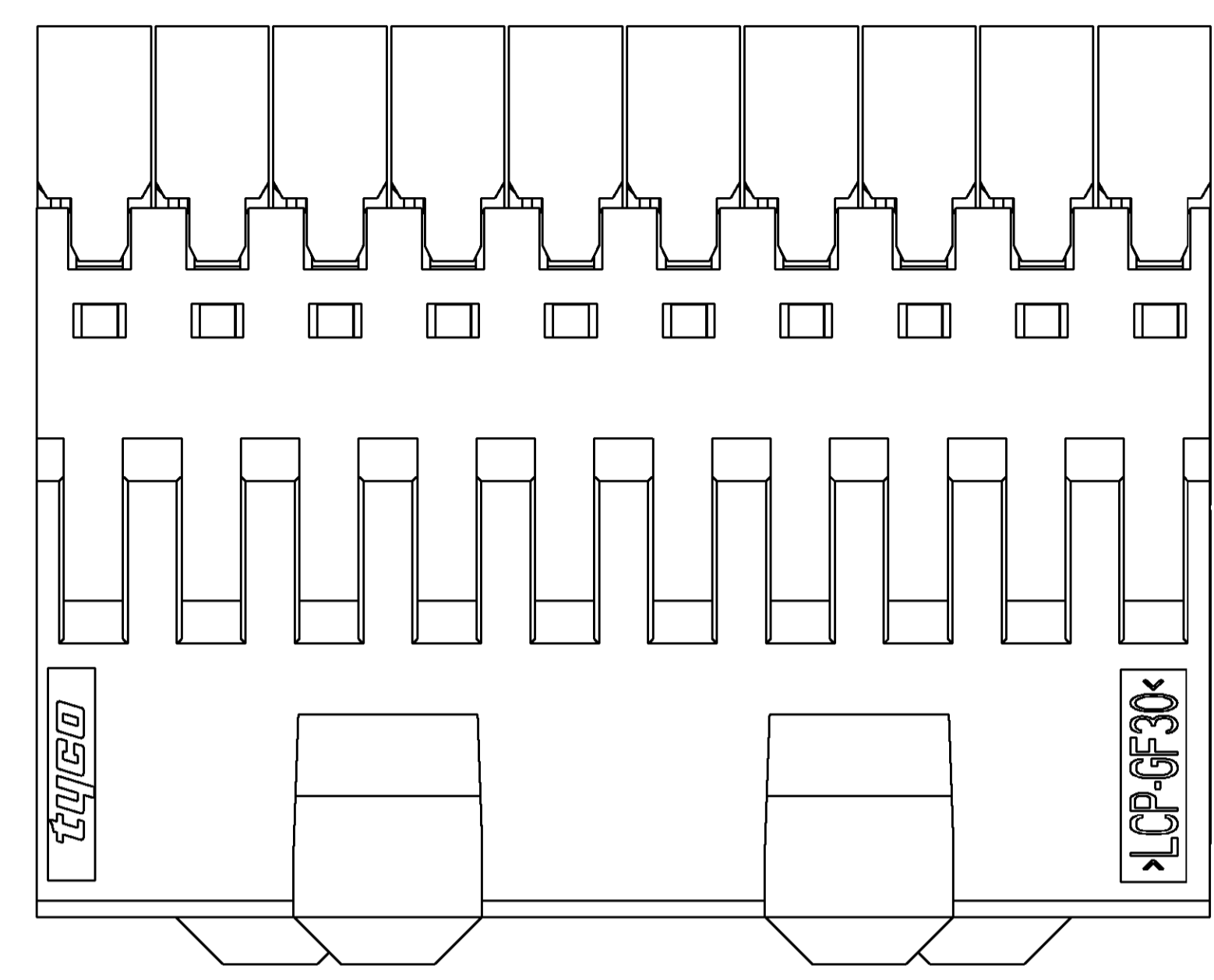
**JAMECO**<sup>®</sup>  
ELECTRONICS

**www.Jameco.com ♦ 1-800-831-4242**

The content and copyrights of the attached  
material are the property of its owner.

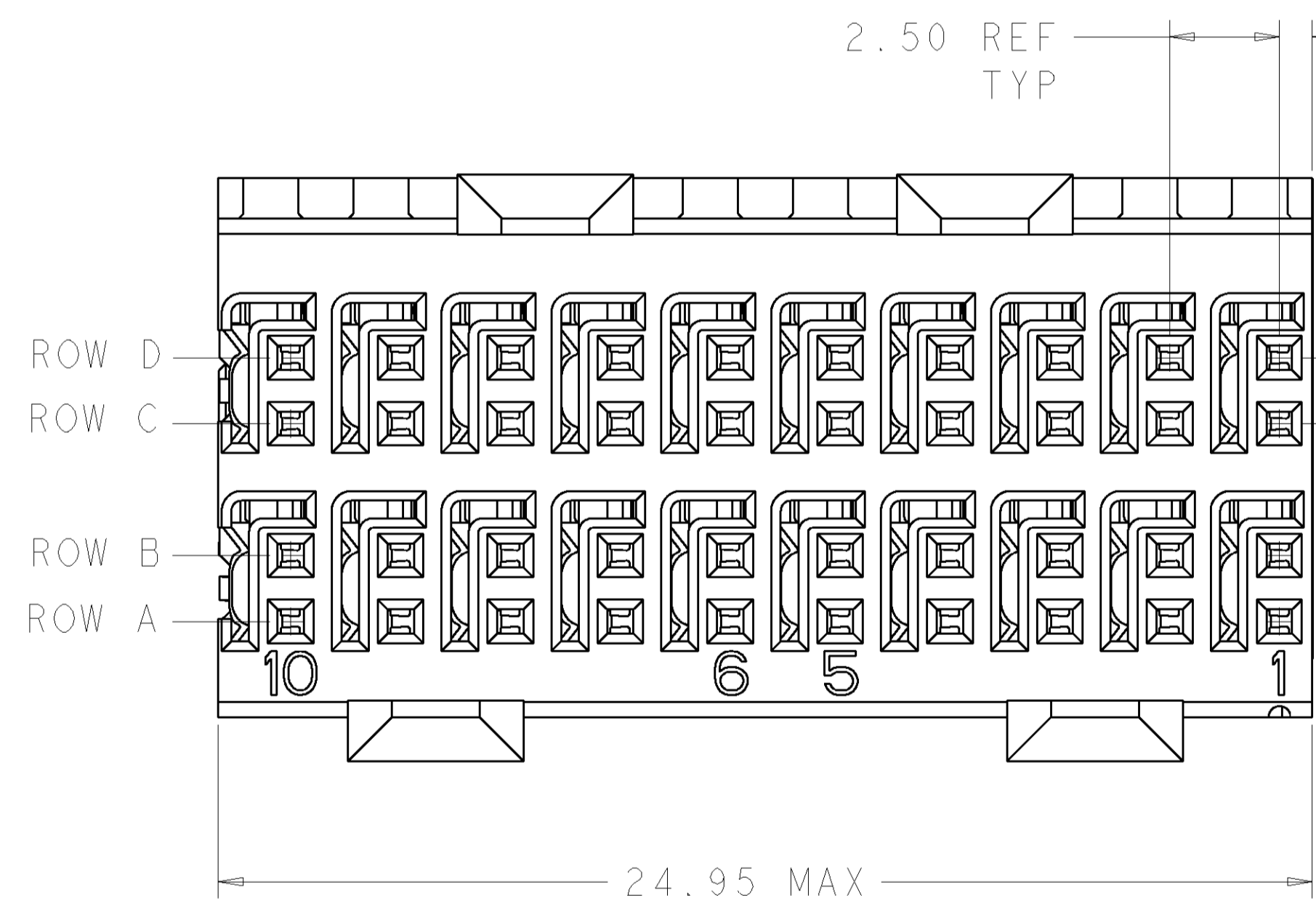
Jameco Part Number 1933443

LOC		DIST		REVISIONS			
AD	00	P	LTR	DESCRIPTION	DATE	DWN	APVD
		0		REVISED PER 0512-0324-04	17JUN2004	SJM	RAP
		A		REV PER ECO-07-010692	16MAY2007	BC	RP

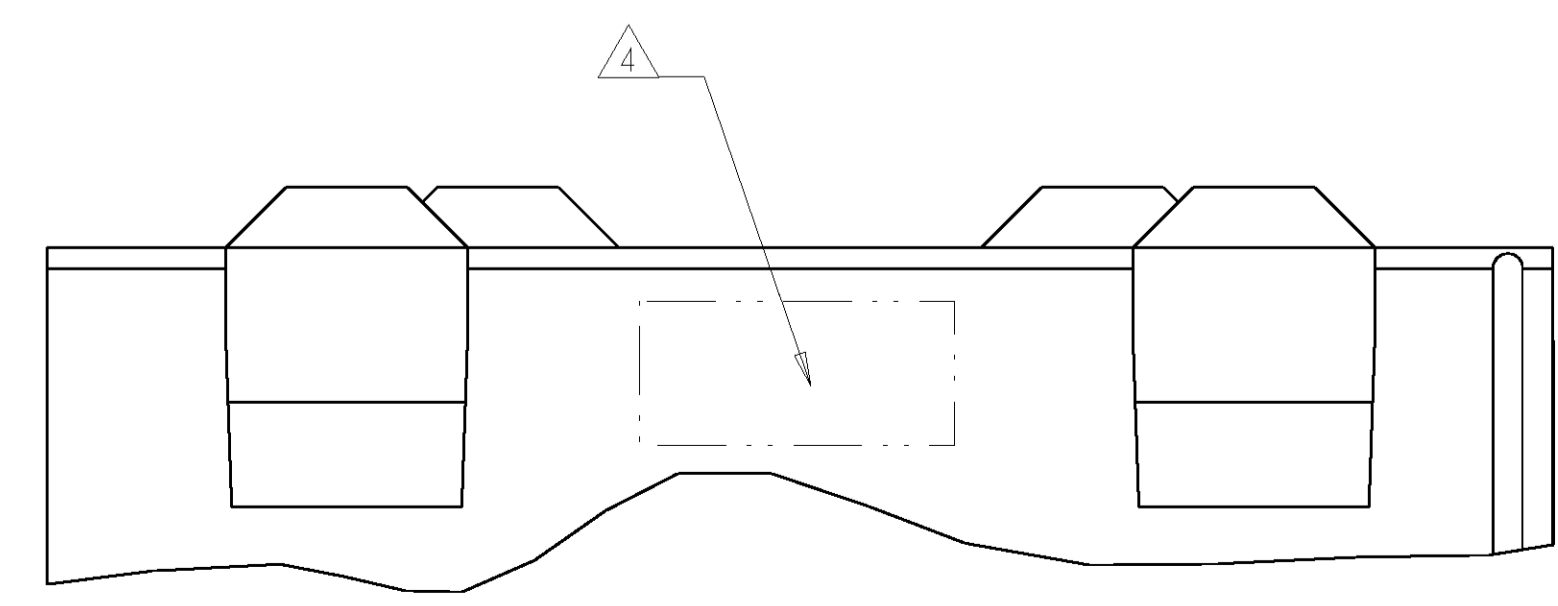
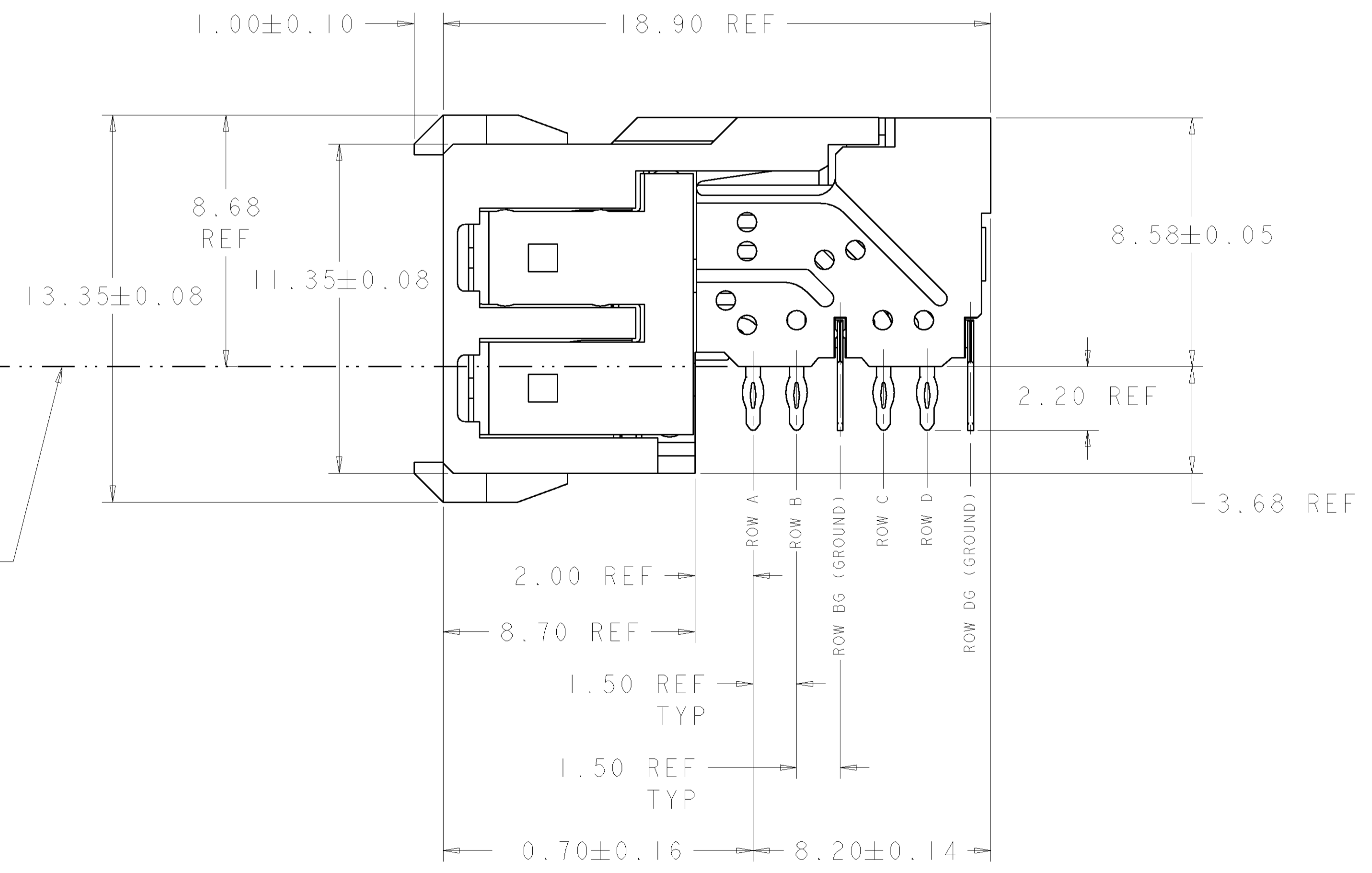


RECOMMENDED PC BOARD LAYOUT,  
 DAUGHTER BOARD,  
 COMPONENT SIDE SHOWN  
 SCALE 4:1

- △ REFERENCE APPLICATION SPEC 114-13059 FOR RECOMMENDED PLATED THRU HOLE DIAMETER AND PLATING THICKNESSES.
- △ MATERIAL:  
 SHIELD - PHOSPHOR BRONZE  
 CONTACT - COPPER-NICKEL-SILICON  
 HOUSING, CHICKLET AND CHICKLET COVER - GLASS FILLED POLYESTER, UL 94V-0 RATED.
- △ FINISH: CONTACT AND SHIELD  
 MATING AREA - 0.76µm MIN GOLD OVER 1.27µm MIN NICKEL  
 COMPLIANT PIN AREA - 0.5µm MIN TIN OVER 1.27µm MIN NICKEL
- △ CONNECTOR MARKED WITH PART NUMBER AND DATE CODE IN APPROXIMATE AREA SHOWN
- △ DIMENSION APPLIES TO CENTERLINE OF THRU HOLE.
- △ DATUMS AND BASIC DIMENSIONS ESTABLISHED BY CUSTOMER.
- 7. CONTACT AREA LUBRICATED WITH BELLCORE APPROVED LUBRICANT. TECHNICAL REFERENCE: GR-1217-CORE, ISSUE 1, NOVEMBER 1995.



TOP SURFACE OF DAUGHTER CARD



6469028-1  
 PART NUMBER

DIMENSIONS:		TOLERANCES UNLESS OTHERWISE SPECIFIED:		MATERIAL:		FINISH:		CUSTOMER DRAWING	
mm	0 PLC	±							
	1 PLC	±							
	2 PLC	±							
	3 PLC	±							
	4 PLC	±							
	ANGLES	±							

DATE	BY	CHKD	APPVD	NAME	SIZE	CAGE CODE	DRAWING NO	RESTRICTED TO
17JUN2004	S. J. MAGARO	R. A. PATTERSON	R. PATTERSON	R. PATTERSON	A	00779	6469028	
16MAY2007								

Tyco Electronics  
 Harrisburg, PA 17105-3608

RECEPTACLE ASSEMBLY,  
 2 PAIR, 25mm, HMZd

SCALE 8:1 SHEET 1 OF 1 REV A