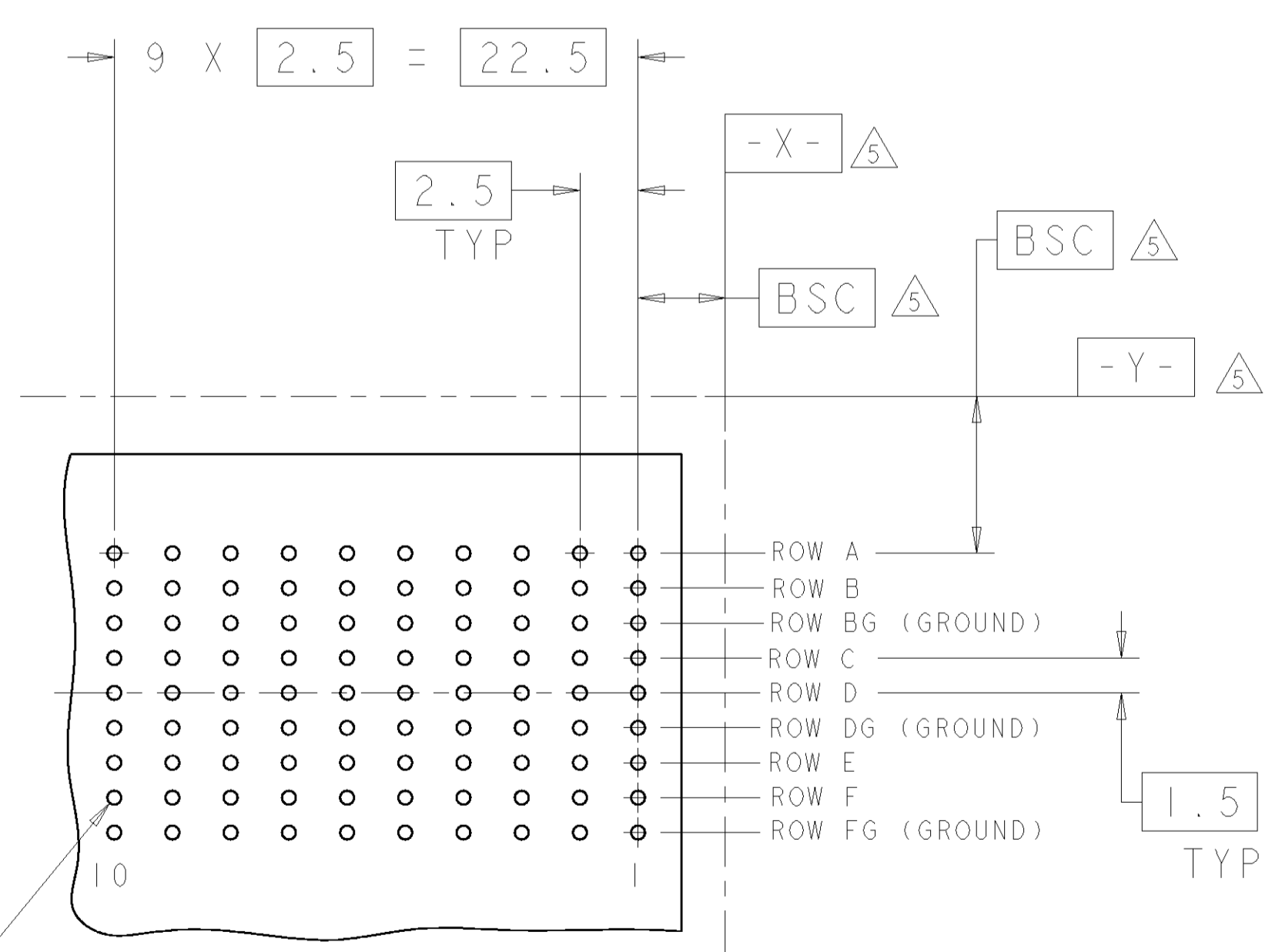
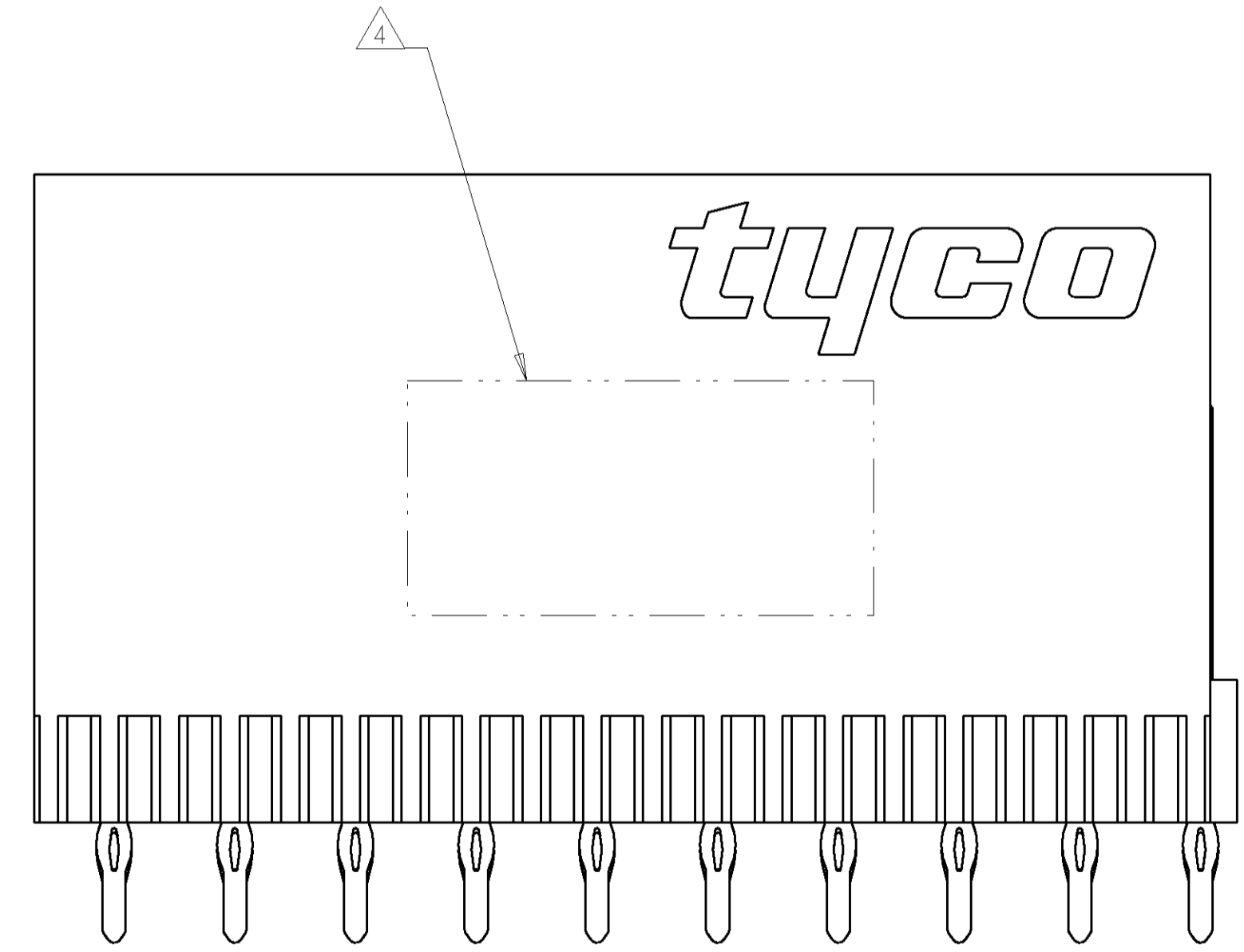
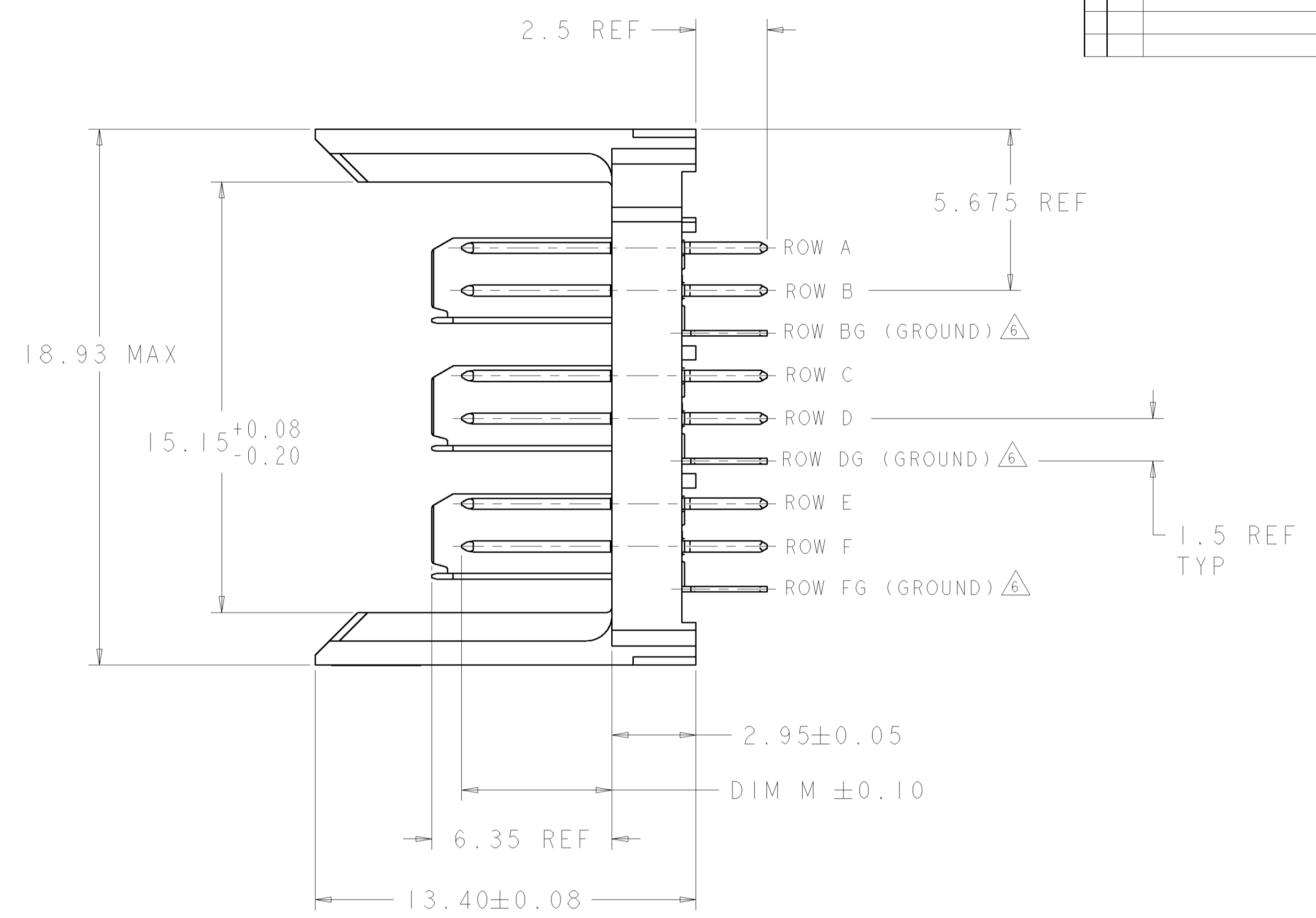
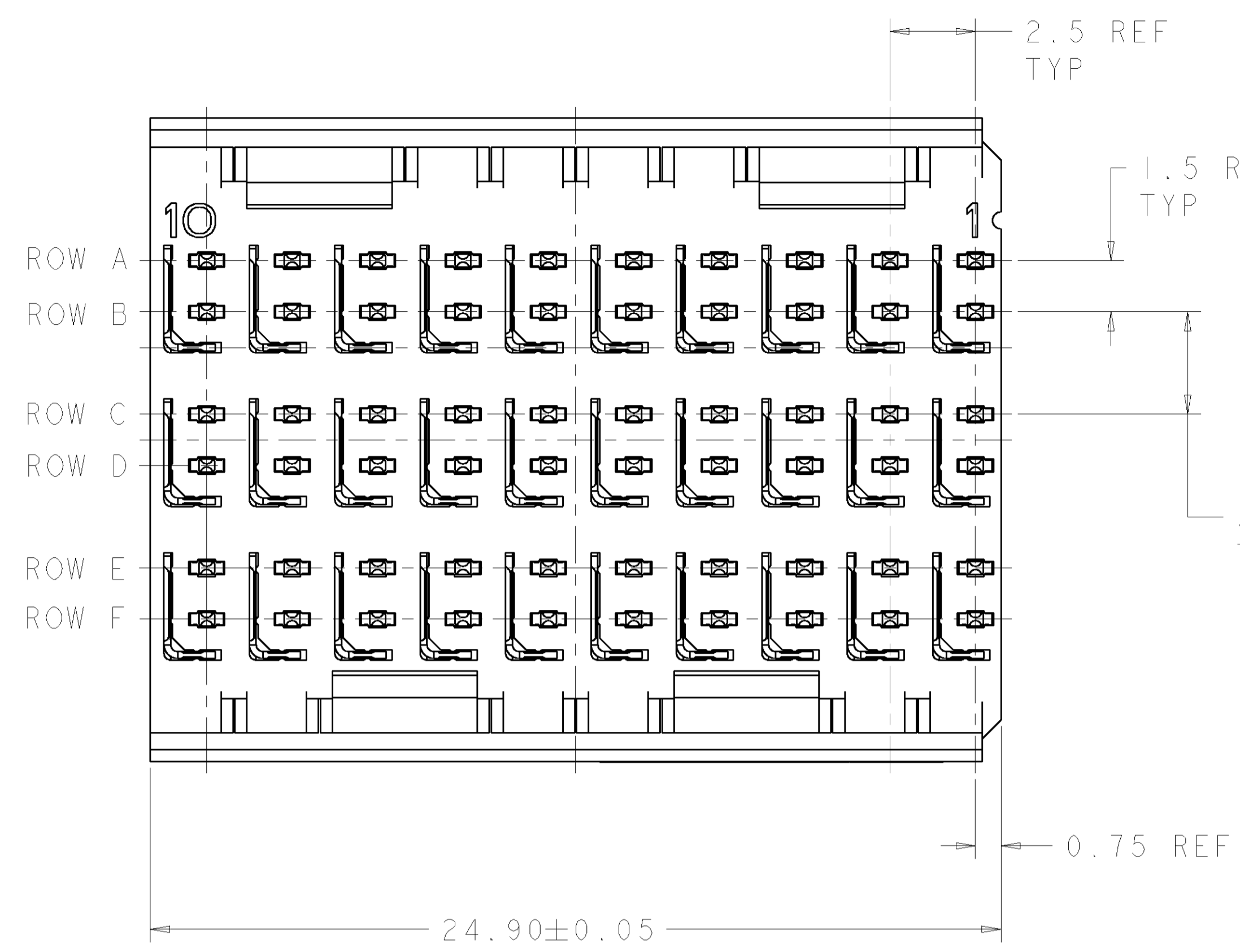


LOC		DIST		REVISIONS			
AD	00	P	LTR	DESCRIPTION	DATE	DWN	APVD
		0		RELEASED PER 0512-0324-04	28JUN2004	SJM	RAP



⊕ | Ø0.05 | X | Y
 ALL PLATED THRU HOLES

RECOMMENDED PC BOARD LAYOUT, BACKPLANE, COMPONENT SIDE SHOWN SCALE 4:1

- 1. REFERENCE APPLICATION SPEC 114-13059 FOR RECOMMENDED PLATED THRU HOLE DIAMETER AND PLATING THICKNESSES.
- 2. MATERIAL:
 CONTACT AND SHIELD - PHOSPHOR BRONZE
 HOUSING - GLASS FILLED POLYESTER
- 3. FINISH: CONTACT AND SHIELD
 MATING AREA - 0.76µm MIN GOLD OVER 1.27µm MIN NICKEL
 COMPLIANT PIN AREA - 0.5µm MIN TIN OVER 1.27µm MIN NICKEL
- 4. CONNECTOR MARKED WITH PART NUMBER AND DATE CODE.
- 5. DATUMS AND BASIC DIMENSIONS ESTABLISHED BY CUSTOMER.
- 6. THE THREE GROUNDS IN EACH COLUMN ARE COMMONED.
- 7. CONTACT AREA LUBRICATED WITH BELLCORE APPROVED LUBRICANT. TECHNICAL REFERENCE: GR-1217-CORE, ISSUE 1, NOVEMBER 1995.

3.80	6469083-2
5.30	6469083-1
DIM M	PART NUMBER

DIMENSIONS: mm 		TOLERANCES UNLESS OTHERWISE SPECIFIED: 0 PLC ± 1 PLC ± 2 PLC ± 3 PLC ± 4 PLC ± ANGLES ±		DWN S. J. MAGARO 28JUN2004 ENR R. A. PATTERSON 28JUN2004 APVD -		Tyco Electronics Harrisburg, PA 17105-3608	
MATERIAL 2 FINISH 3		PRODUCT SPEC APPLICATION SPEC		NAME HEADER ASSEMBLY, 3 PAIR, 2.5mm TAIL, 25mm, HMZd		SIZE CAGE CODE DRAWING NO RESTRICTED TO A 00779 C=6469083 -	
CUSTOMER DRAWING		WEIGHT -		SCALE 8:1 SHEET 1 OF 1 REV 0		DATE 28JUN2004	