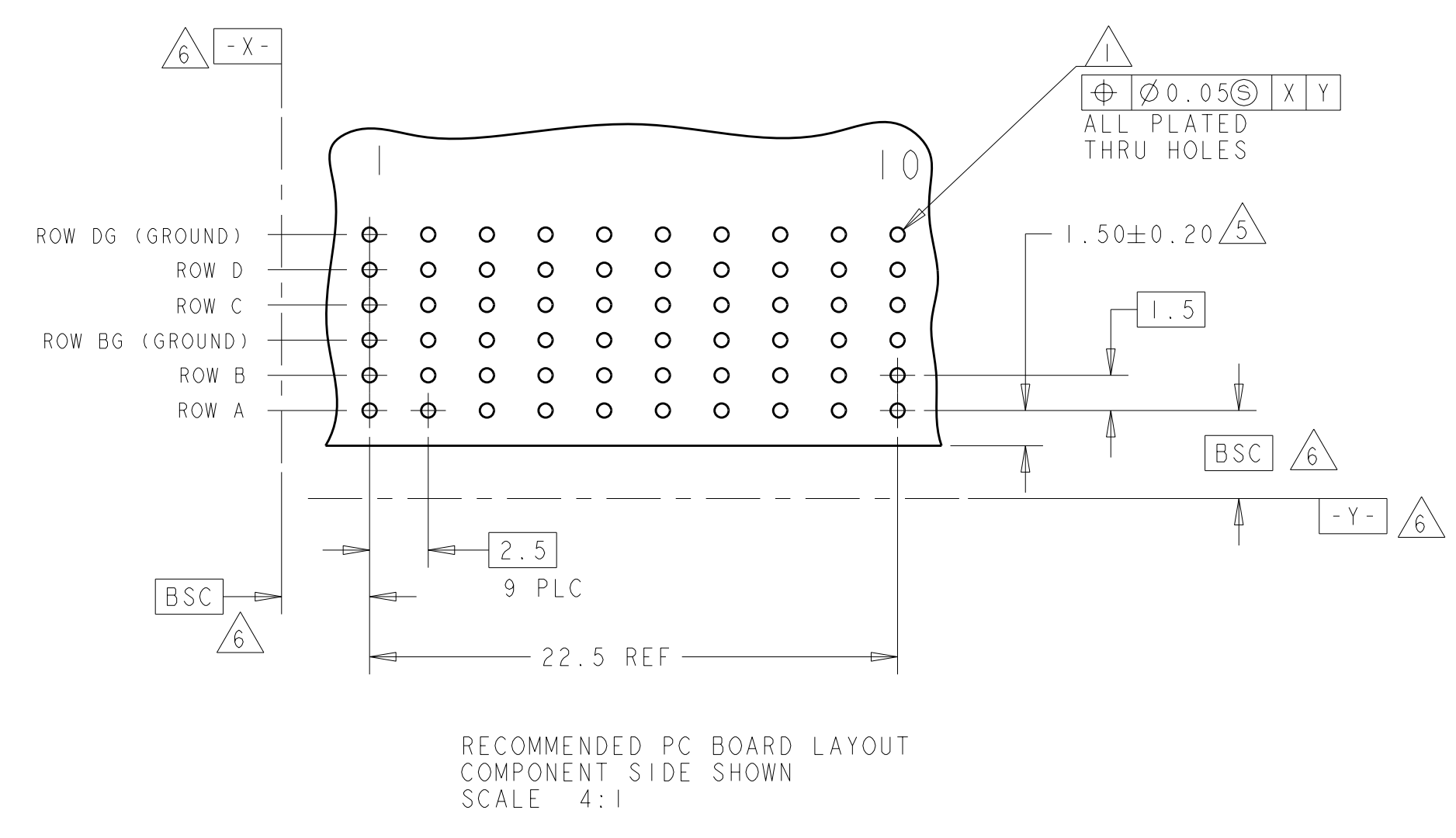
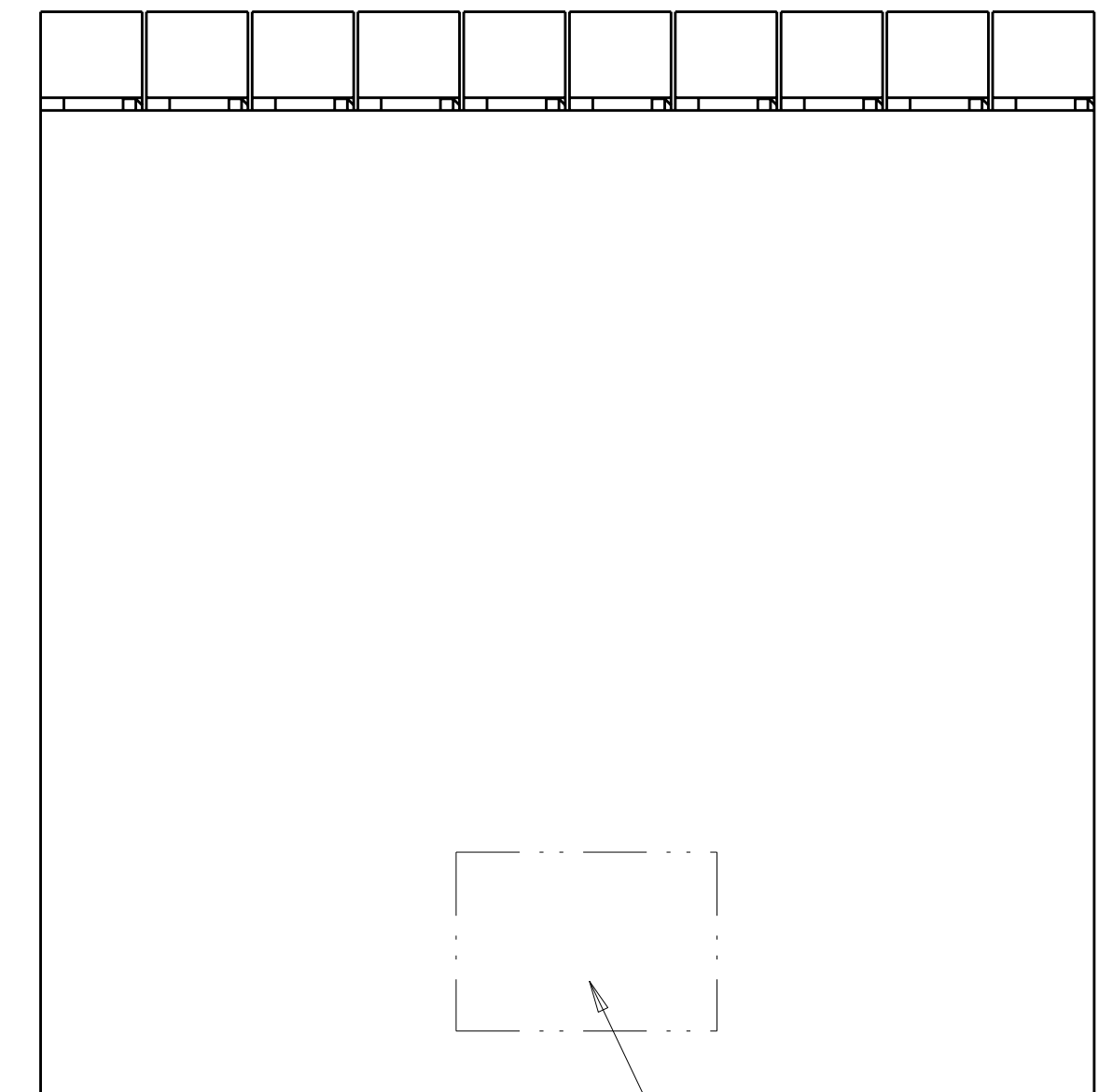
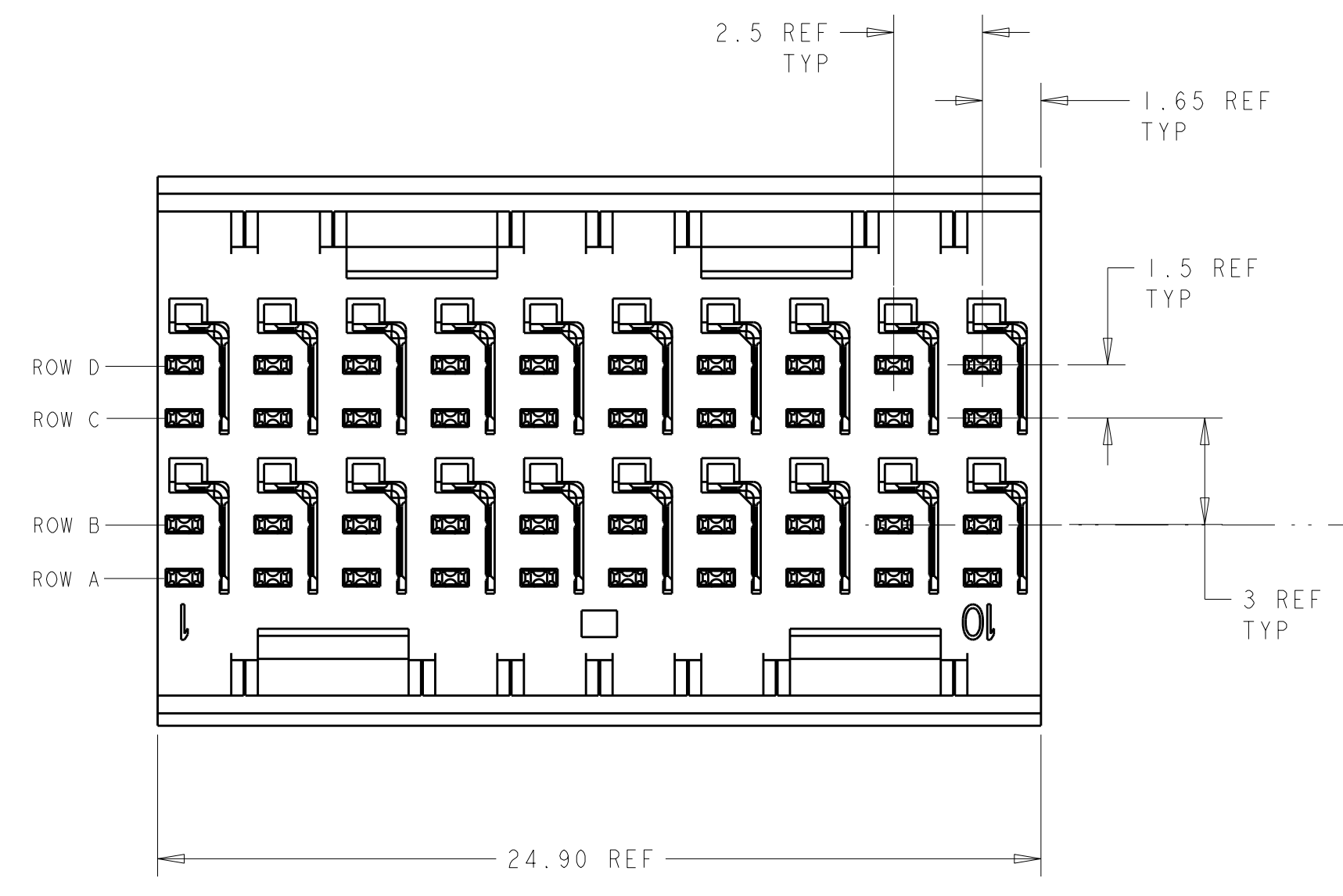


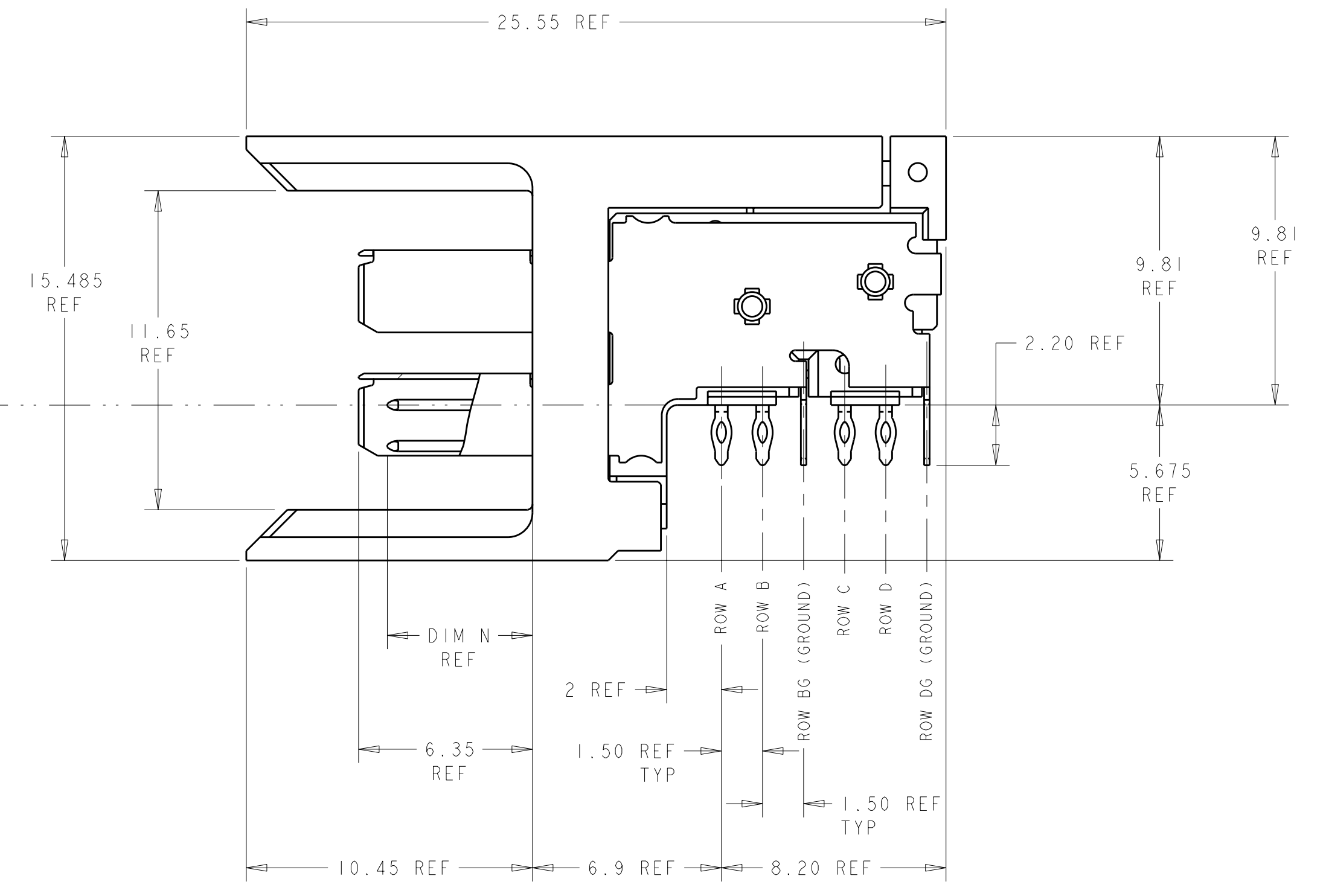
| LOC | | DIST | | REVISIONS | | | |
|-----|----|-----------------------|-----------|-----------|-----|------|--|
| AD | 00 | REV | DATE | BY | CHK | APPD | |
| A | | REV PER ECO-11-007577 | 13APR2011 | RKC | | JE | |



- 1. REFERENCE APPLICATION SPEC 114-13059 FOR RECOMMENDED PLATED THRU HOLE DIAMETER AND PLATING THICKNESSES.
- 2. MATERIAL:
 CONTACT & SHIELD - PHOSPHOR BRONZE
 HOUSING & CHICKLET - GLASS FILLED POLYESTER
- 3. FINISH: SIGNAL AND GROUND CONTACTS:
 MATING AREA: MEETS THE PERFORMANCE REQUIREMENTS OF PRODUCT SPECIFICATION 108-2055; BASED ON TELCORDIA GR-1217-CORE, APPLICATIONS IN UNCONTROLLED ENVIRONMENTS
 COMPLIANT PIN AREA: 0.5 μm MIN MATTE TIN OVER BASE PLATING
- 4. CONNECTOR MARKED WITH PART NUMBER AND DATE CODE IN APPROXIMATE AREA SHOWN
- 5. DIMENSION APPLIES TO CENTERLINE OF THRU HOLE
- 6. DATUMS AND BASIC DIMENSIONS ESTABLISHED BY CUSTOMER
- 7. CONTACT AREA LUBRICATED WITH BELLCORE APPROVED LUBRICANT. TECHNICAL REFERENCE: GR-1217-CORE, ISSUE 1, NOVEMBER 1995



TOP SURFACE OF DAUGHTER CARD



6469169-1
 PART NUMBER

| | | | |
|--|--|-------------------------------|--|
| THIS DRAWING IS A CONTROLLED DOCUMENT. | | DWN S. J. MAGARO 18JUL2004 | TE Connectivity |
| DIMENSIONS: mm | | CHK R. A. PATTERSON 18JUL2004 | |
| TOLERANCES UNLESS OTHERWISE SPECIFIED: | | APVD P. PATTERSON 31MAR2006 | NAME: HEADER ASSEMBLY, RIGHT ANGLE, 2 PAIR, COPLANAR, HMZd |
| 9 PLC ± 3 PLC ± 5 PLC ± 4 PLC ± ANGLES ± FINISH ± | | PRODUCT SPEC | SIZE: CAGE CODE: DRAWING NO: RESTRICTED TO |
| MATERIAL | | APPLICATION SPEC | A100779C-6469169 |
| FINISH | | WEIGHT | SCALE: 6:1 SHEET 1 OF 1 REV A |
| CUSTOMER DRAWING | | | |