

Distributed by:

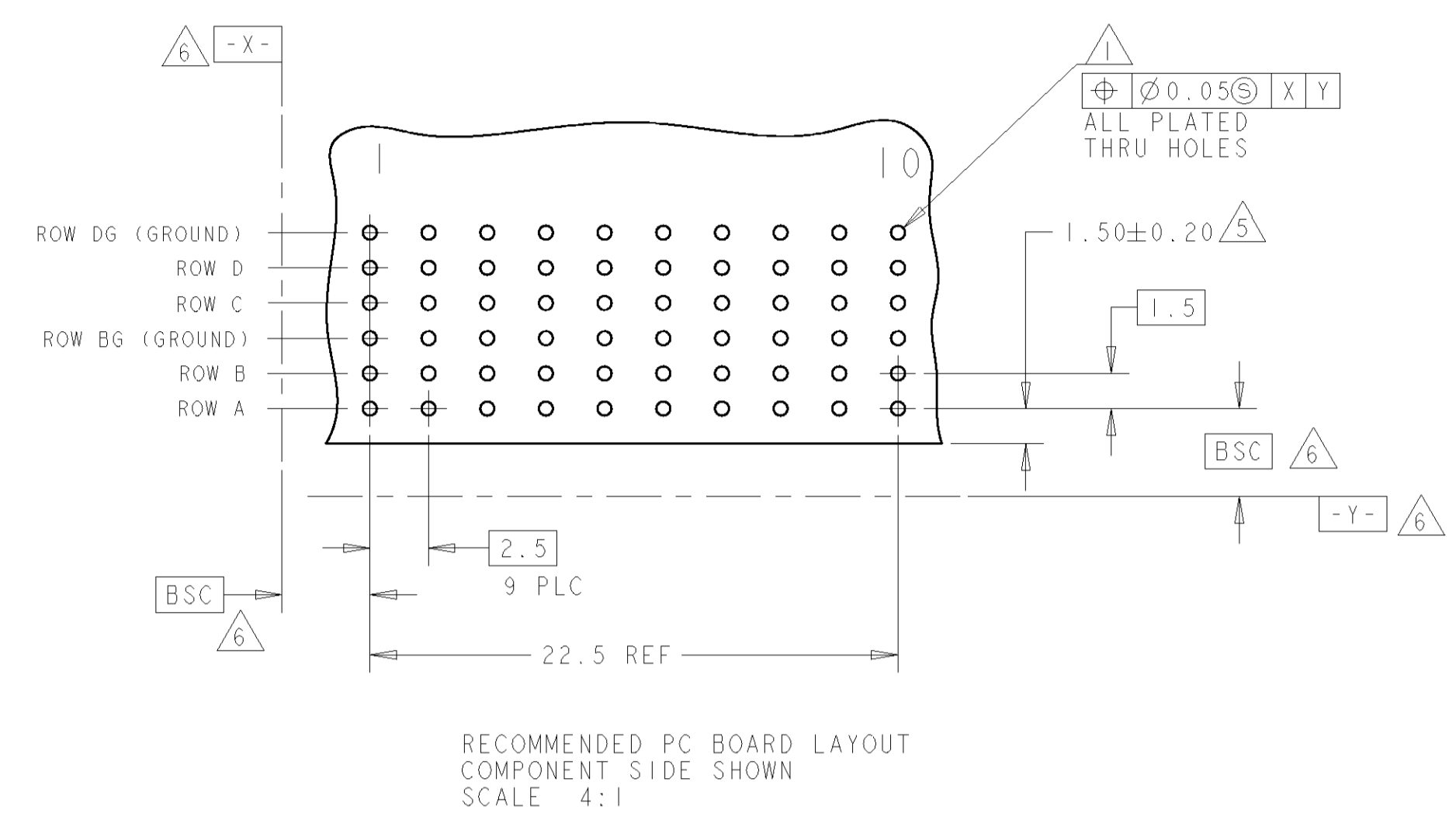
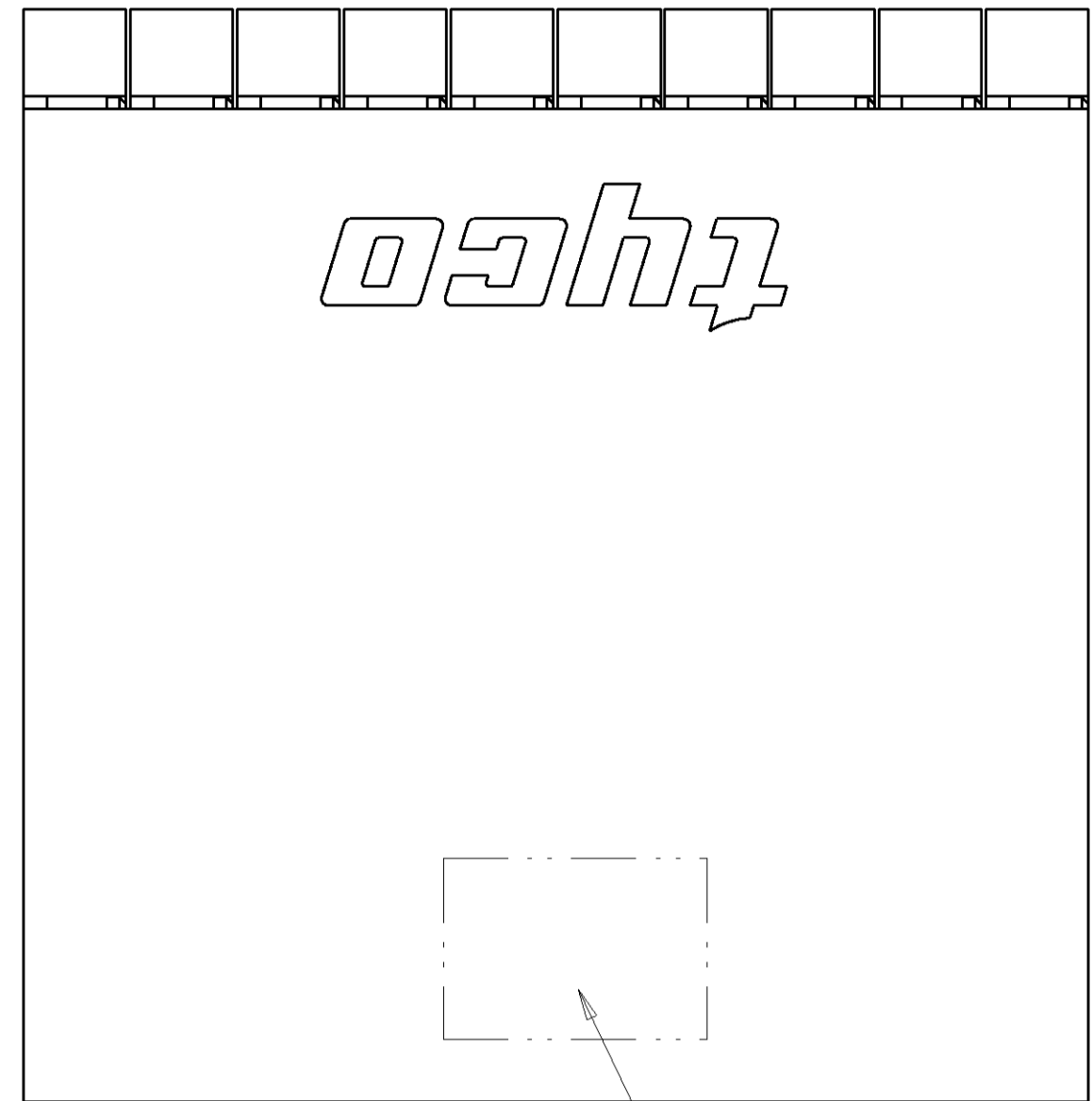
**JAMECO**<sup>®</sup>  
ELECTRONICS

**www.Jameco.com ♦ 1-800-831-4242**

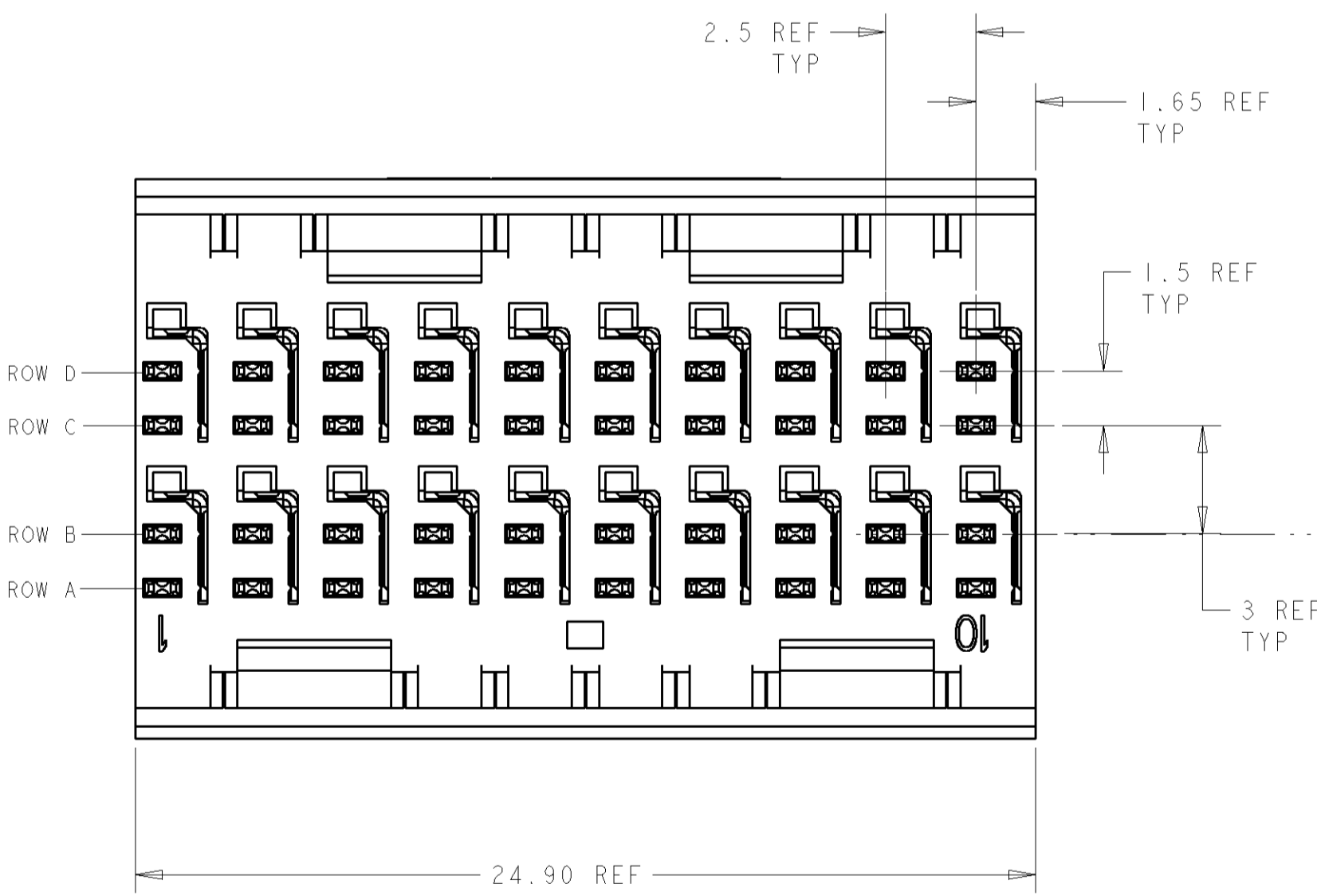
The content and copyrights of the attached  
material are the property of its owner.

Jameco Part Number 967086

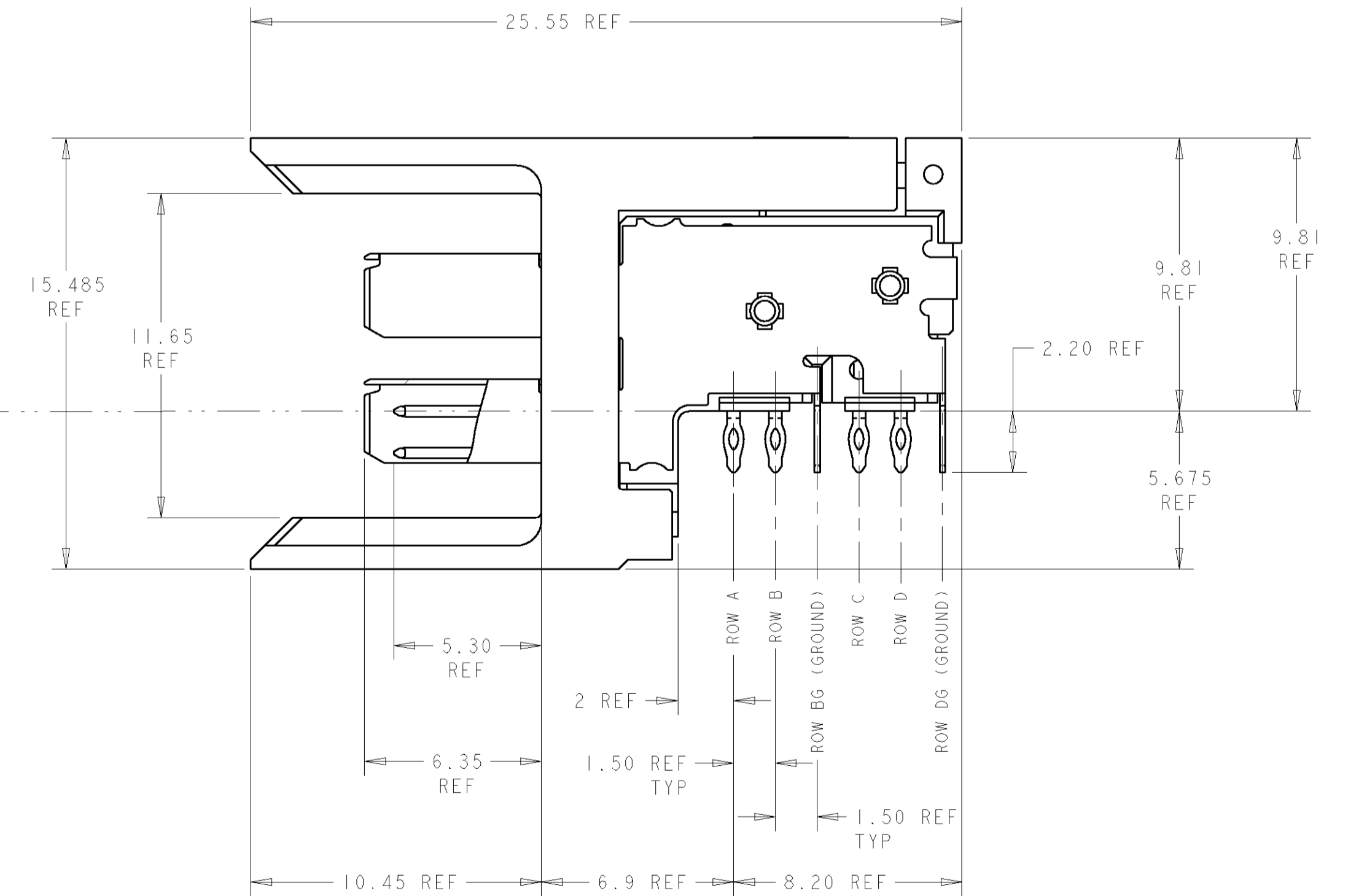
LOC	DIST	REVISIONS					
AD	00	P	LTR	DESCRIPTION	DATE	DWN	APVD
		0		RELEASED PER 0512-0324-04	18JUL2004	SJM	RAP
		01		REV PER ECO-06-007494	31MAR2006	BC	RP



- △ REFERENCE APPLICATION SPEC 114-13059 FOR RECOMMENDED PLATED THRU HOLE DIAMETER AND PLATING THICKNESSES.
- △ MATERIAL:  
 CONTACT & SHIELD - PHOSPHOR BRONZE  
 HOUSING & CHICKLET - GLASS FILLED POLYESTER
- △ FINISH:  
 CONTACT & SHIELD - 0.76µm MIN GOLD OVER  
 1.27µm MIN NICKEL IN MATING AREA, 0.5µm MIN TIN  
 OVER 1.27µm MIN NICKEL IN COMPLIANT PIN AREA.
- △ CONNECTOR MARKED WITH PART NUMBER AND DATE CODE IN APPROXIMATE AREA SHOWN
- △ DIMENSION APPLIES TO CENTERLINE OF THRU HOLE
- △ DATUMS AND BASIC DIMENSIONS ESTABLISHED BY CUSTOMER
- 7. CONTACT AREA LUBRICATED WITH BELLCORE APPROVED LUBRICANT. TECHNICAL REFERENCE: GR-1217-CORE, ISSUE 1, NOVEMBER 1995



TOP SURFACE OF DAUGHTER CARD



6469169-1  
 PART NUMBER

DIMENSIONS: mm 		TOLERANCES UNLESS OTHERWISE SPECIFIED: 0 PLC ± 1 PLC ± 2 PLC ± 3 PLC ± 4 PLC ± ANGLES ±		DWN S.J. MAGARO 18JUL2004 ENR R.A. PATTERSON 18JUL2004 APVD R. PATTERSON 31MAR2006		Tyco Electronics Harrisburg, PA 17105-3608	
MATERIAL △ FINISH △		WEIGHT - CUSTOMER DRAWING		NAME HEADER ASSEMBLY, RIGHT ANGLE, 2 PAIR, COPLANAR, HMZd		SIZE CAGE CODE DRAWING NO RESTRICTED TO A1 00779 C-6469169 -	
				SCALE 6:1 SHEET 1 OF 1 REV 01			