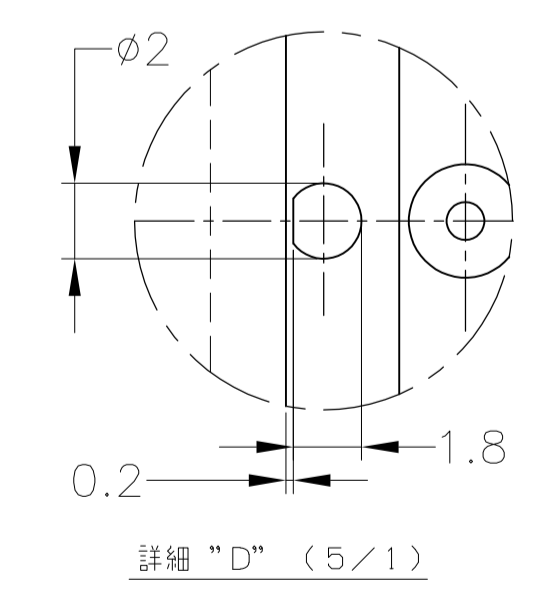
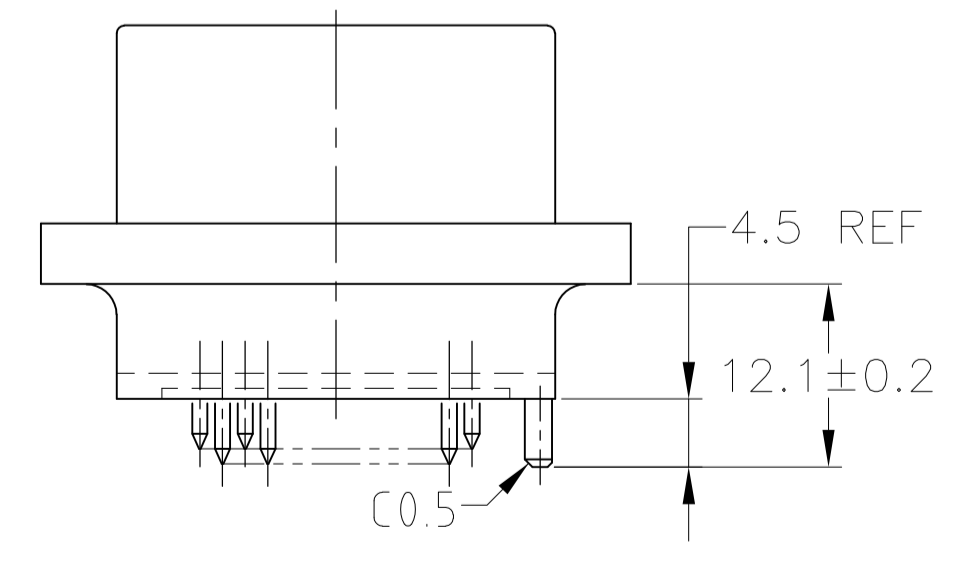
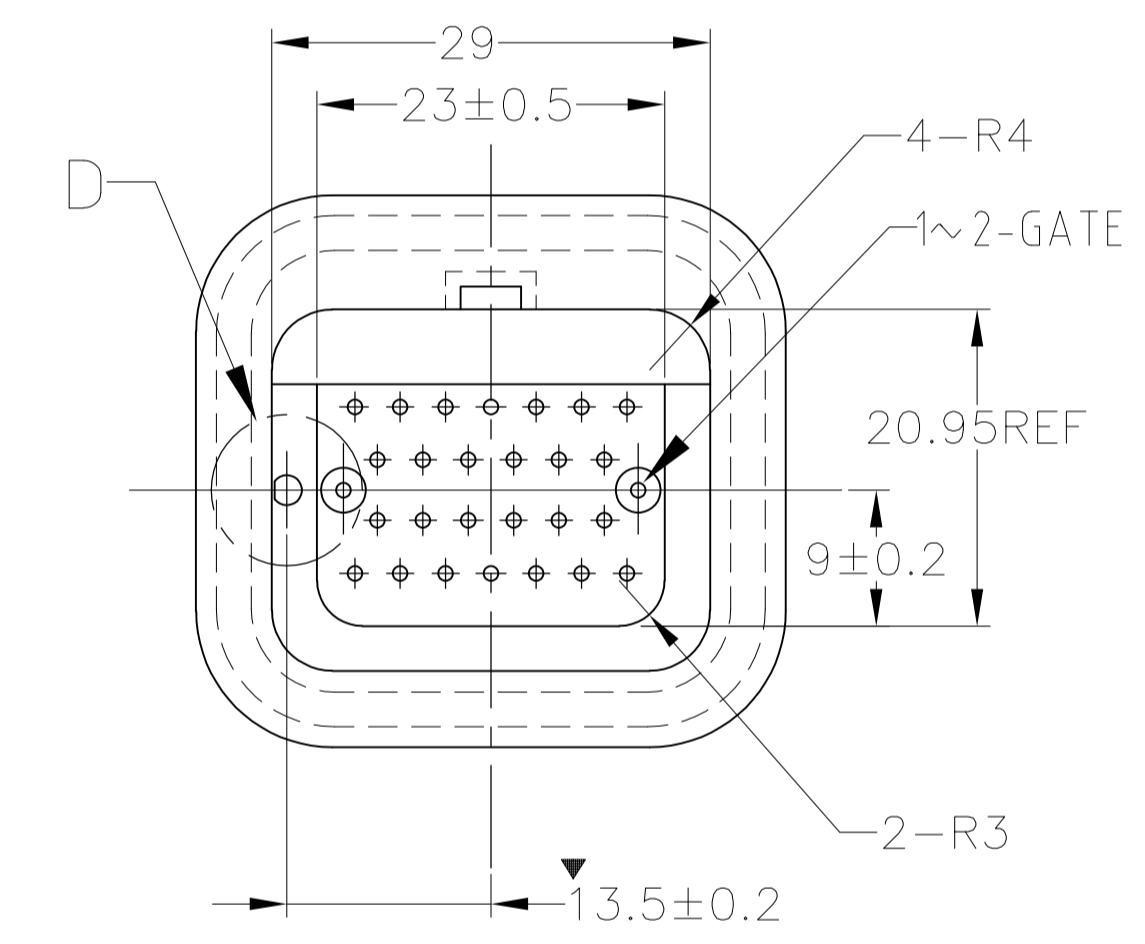
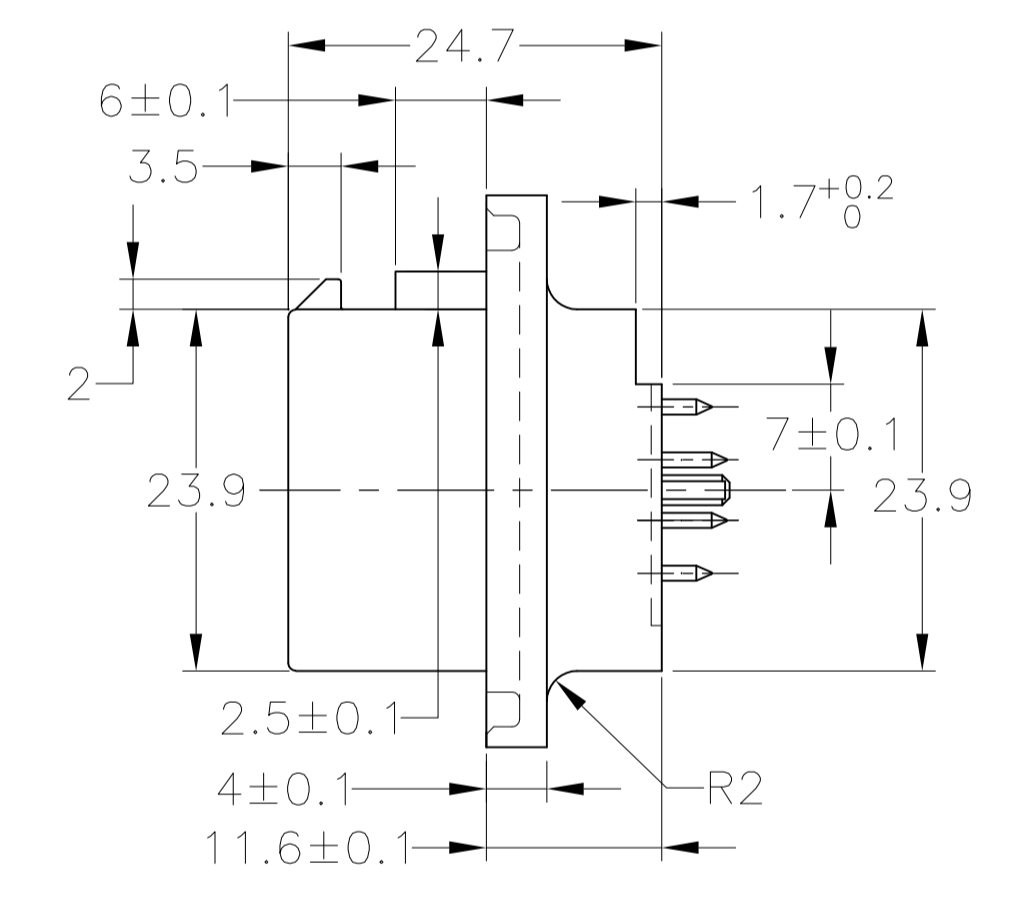
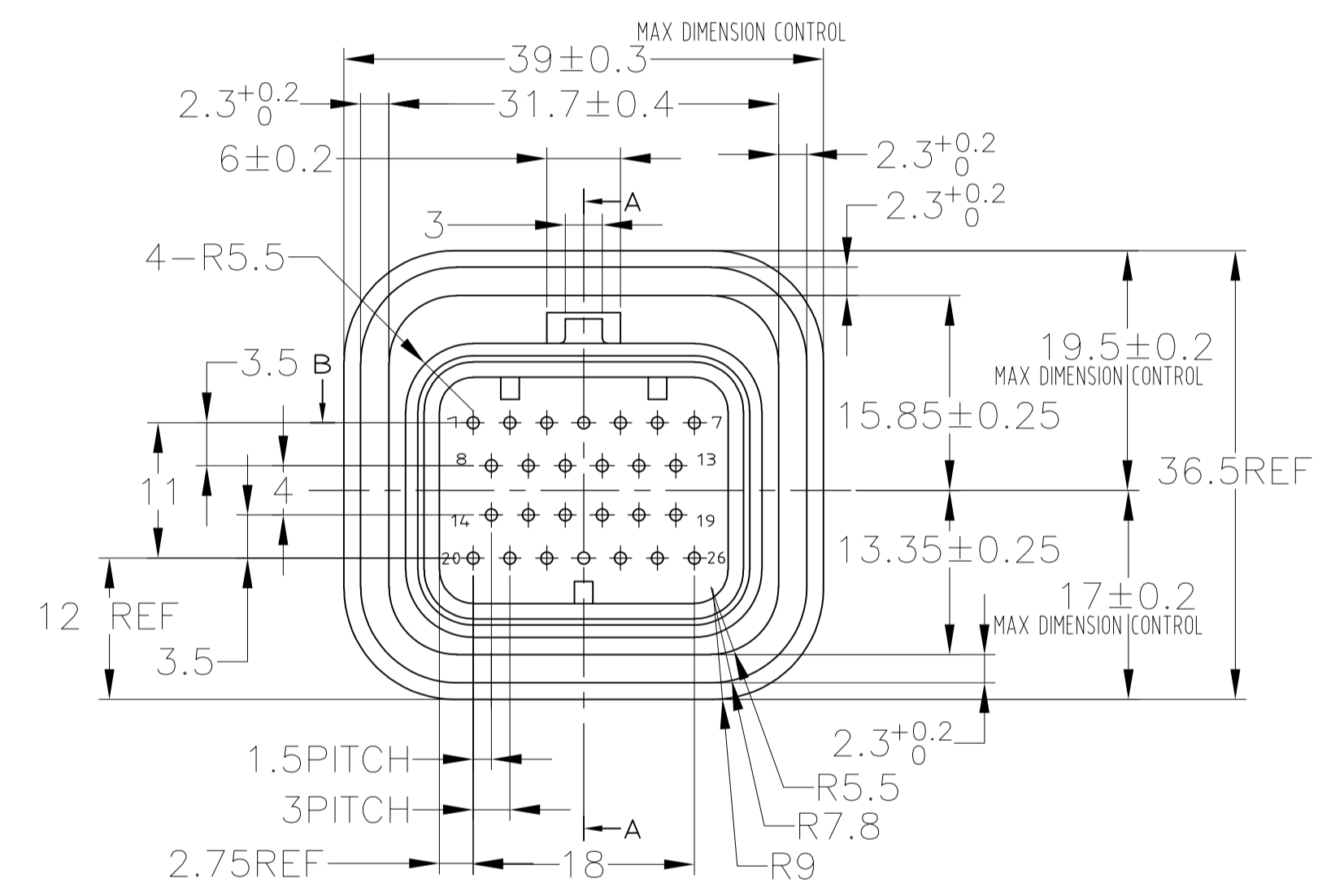
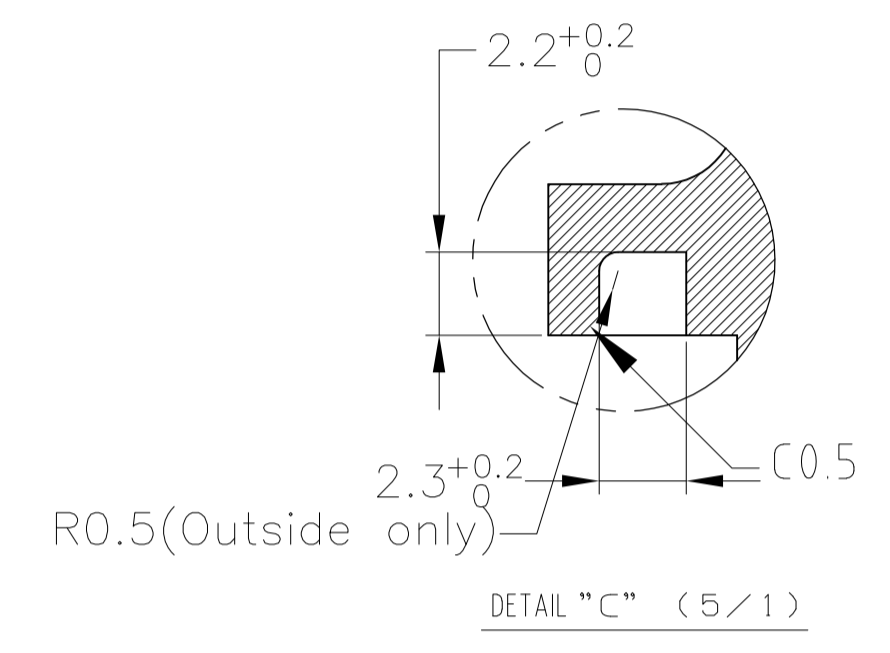
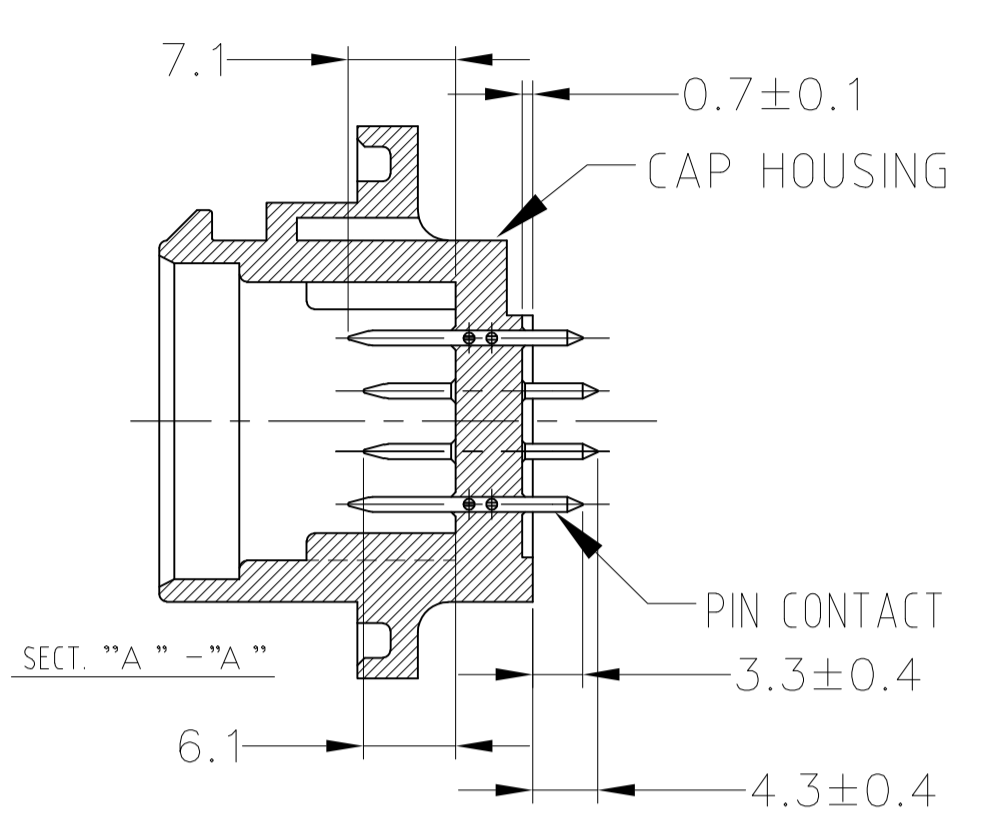
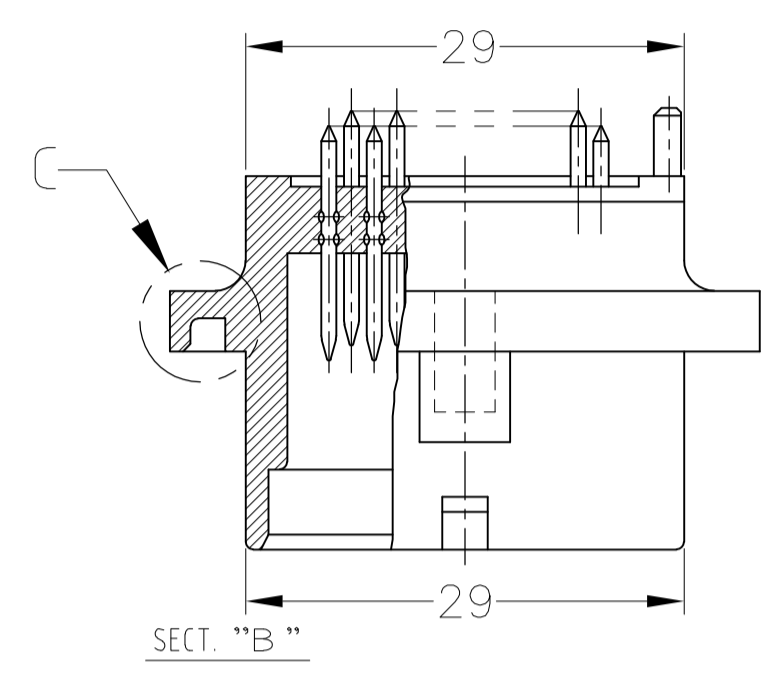
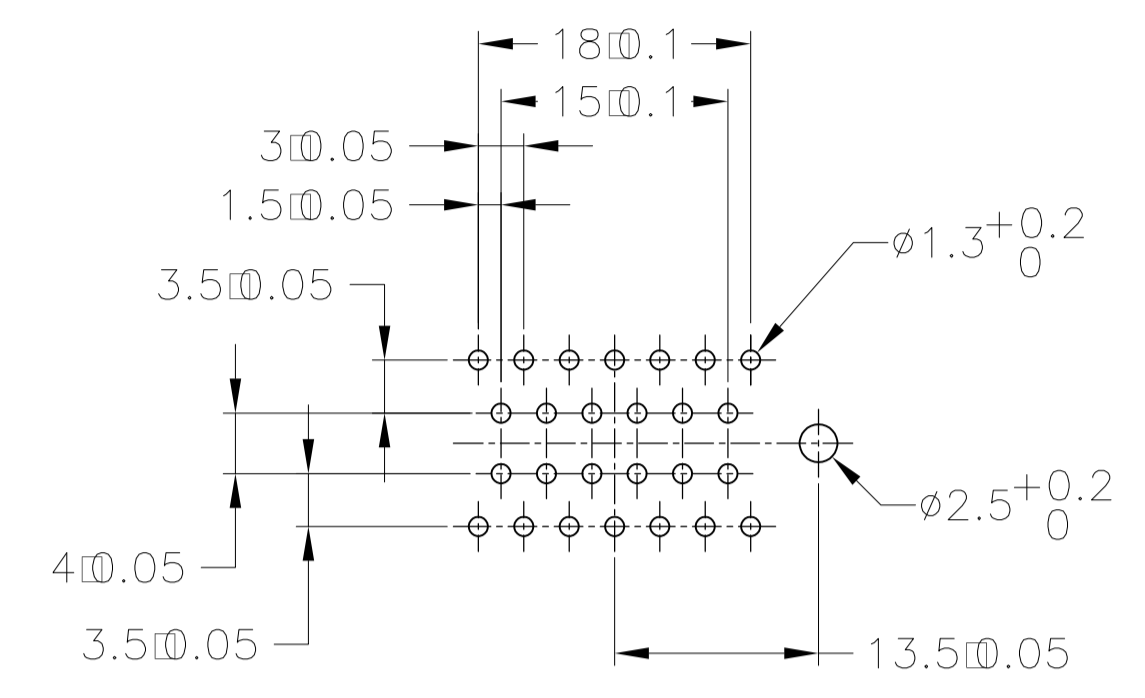


LOC		DIST		REVISIONS			
J		-		REV	DESCRIPTION	DATE	BY
				A1	REVISED PER ECO-11-005140	28MAR11	RK HMR

(MOUNTING DIMENSIONS FOR P.C BOARD, TOLERANCE±0.1)
 プリント基板取付穴



NOTES, 1.GENERAL TOLERANCE : ± 0.3
 DRAFT ANGLE : ± 1 MAX
 ALL UNSPECIFIED RADII : R0.5
 ALL UNSPECIFIED THICKNESS : 15
 2.MATERIAL
 CAP HOUSING : THERMOPLASTIC POLYESTER
 PIN CONTACT : BRSS
 3.CRITICAL DIMENSIONS:▼

SEE DWG 1473418	SEE DWG 1473418	-	SELECTIVE-TIN (MATTE)	SELECTIVE GOLD × 26	6473418-2
SEE DWG 1473418	SEE DWG 1473418	-	SELECTIVE-TIN (MATTE)	SELECTIVE GOLD × 26	6473418-1
3-1437290-7	-	-	SELECTIVE-TIN (MATTE)	SELECTIVE GOLD × 26	6437288-6
OBSOLETE	SEE DWG 1473418	SEE DWG 1473418	TIN-LEAD	SELECTIVE GOLD × 26	1473418-2
OBSOLETE	SEE DWG 1473418	SEE DWG 1473418	TIN-LEAD	SELECTIVE GOLD × 26	1473418-1
OBSOLETE	3-1437290-7	-	3900168-26	TIN-LEAD	SELECTIVE GOLD × 26
MATING PLUG ASSEMBLY 嵌合相手	REMARKS 備考	OLD PART NUMBER 旧型番	CONTACT FINISH 半田付は側	CONTACT SEDE 接触部側	PART NUMBER 型番

THIS DRAWING IS A CONTROLLED DOCUMENT. DIMENSIONS: 単位: 寸 mm. TOLERANCES UNLESS OTHERWISE SPECIFIED: 0. PLC ±, 1. PLC ±, 2. PLC ±, 3. PLC ±, 4. PLC ±, ANGLES ±.

DIN A. YAMAGUCHI 24SEP02
 CHK K. BETSUI 24SEP02
 APVD K. BETSUI 24SEP02
 NAME 名称
 PRODUCT SPEC 製品規格
 APPLICATION SPEC 取付適用規格
 WATER SEALED CONNECTOR
 CAP HOUSING 26POS ASSEMBLY
 108-78140
 A100719 © 2011 67288-6
 CUSTOMER DRAWING SCALE 2:1 SHEET 1 of 1 REV A1

NOT the LATEST REVISION