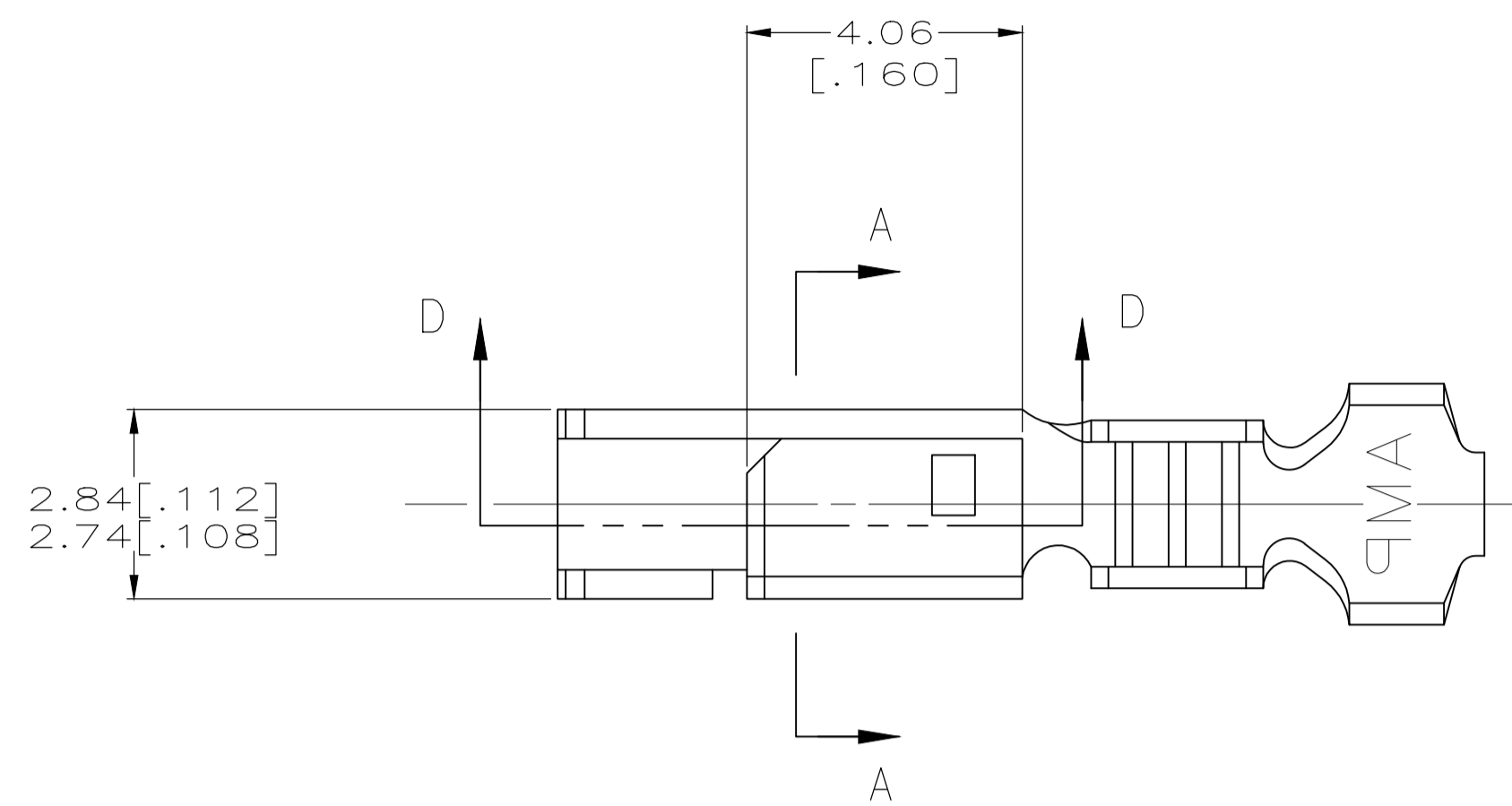
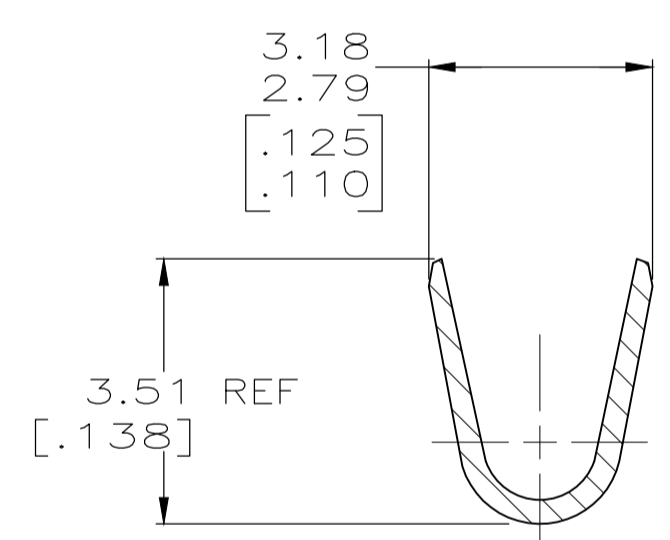
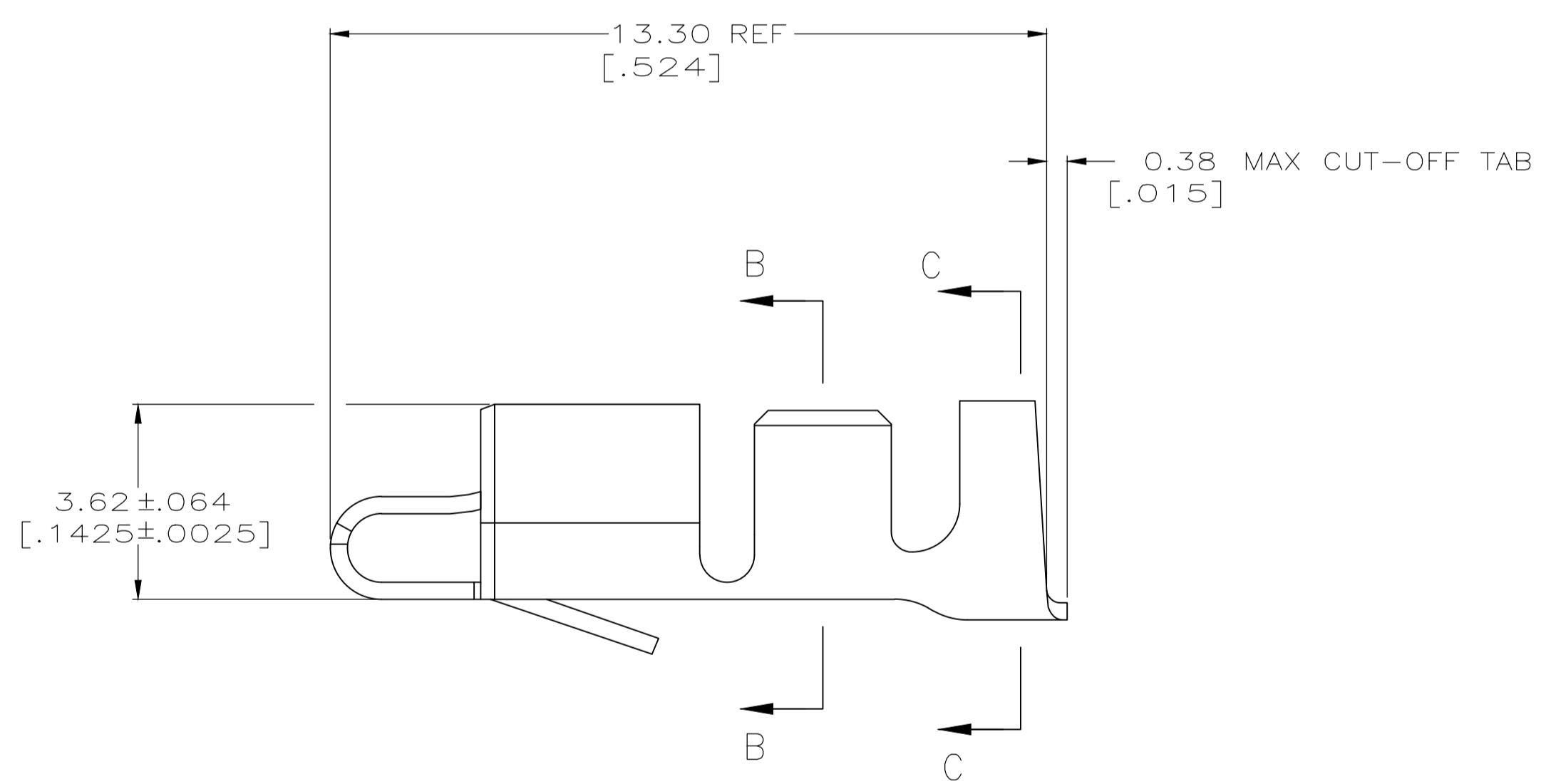
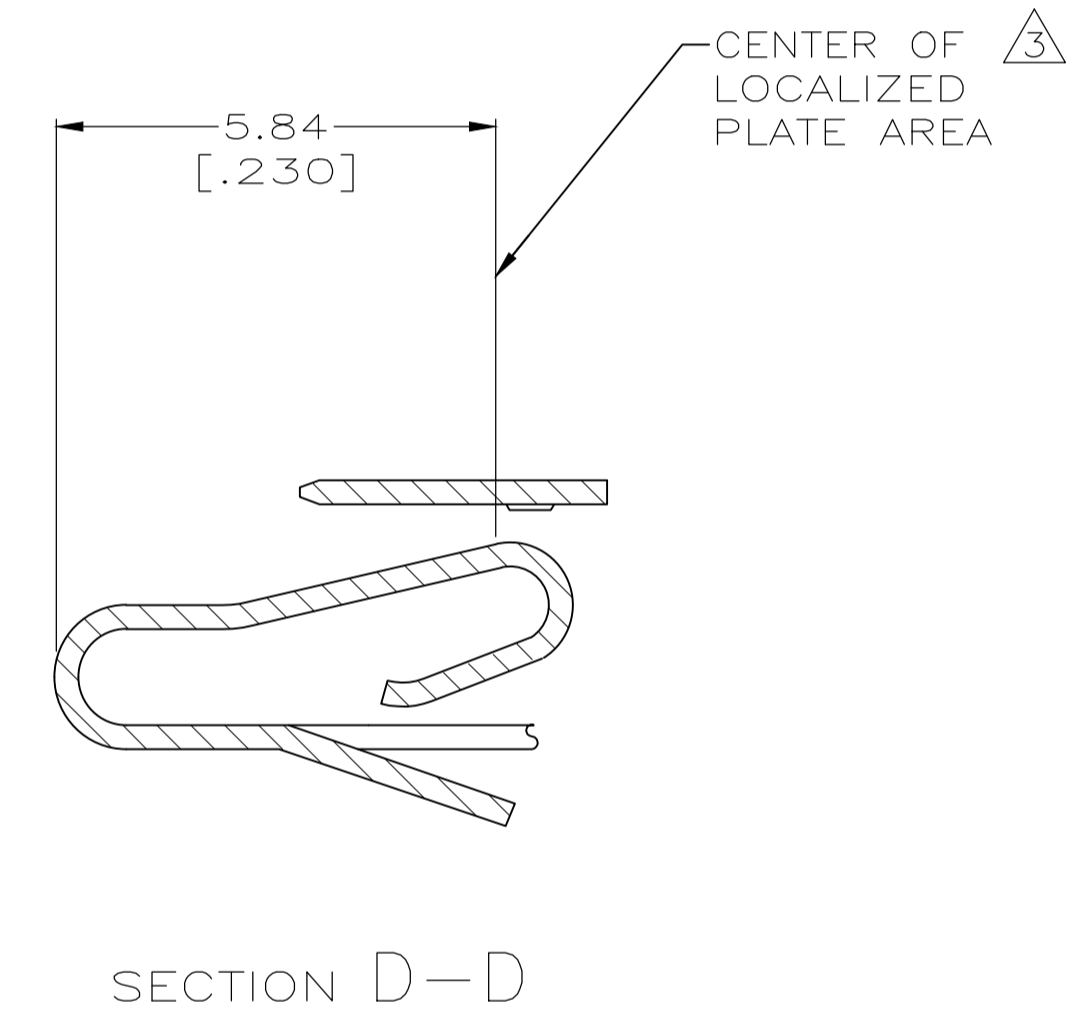


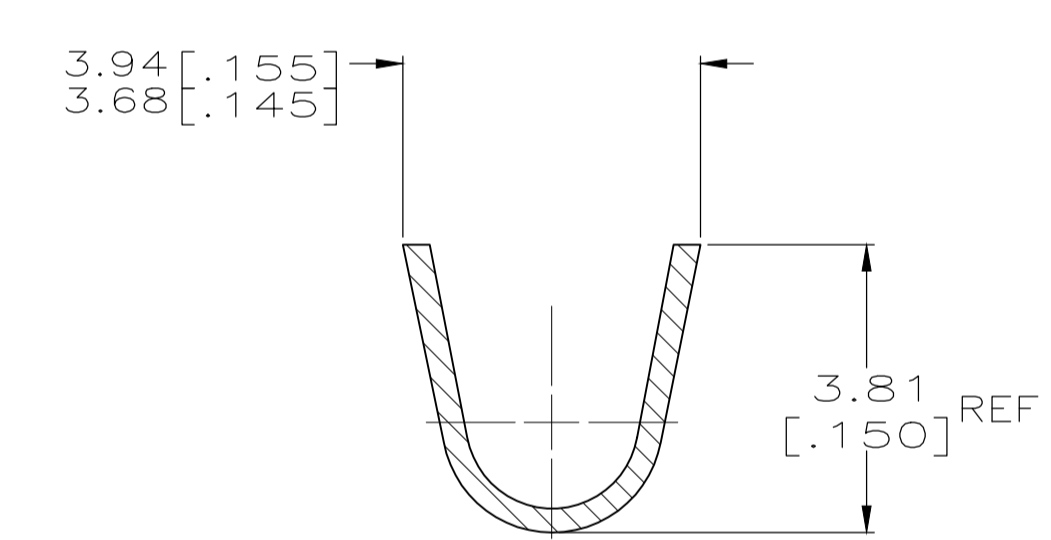
LOC		DIST		REVISIONS			
P	LTR	DESCRIPTION	DATE	DWN	APVD		
A1		REVISED PER ECO-18-005876	01MAY2018	RS	SG		



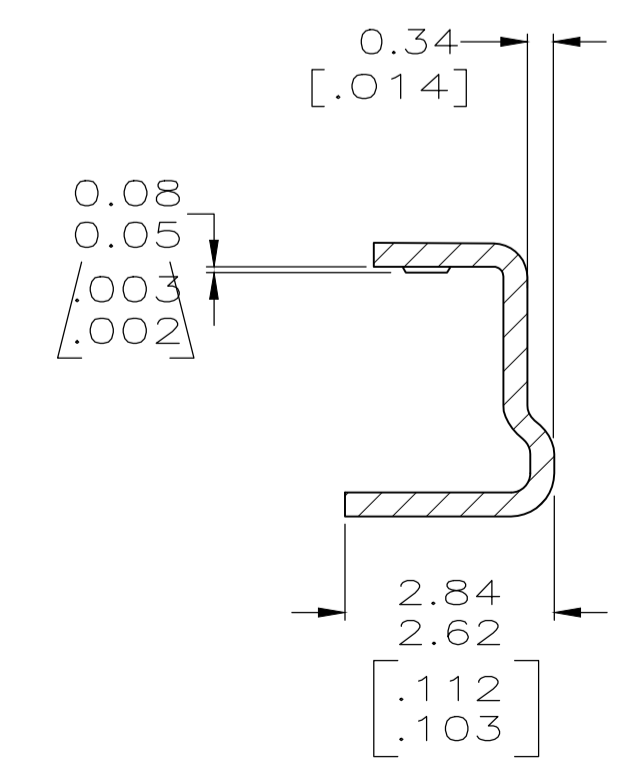
- INSULATION RANGE: 1.78-2.84 [.070-.112]  
 WIRE RANGE: NOT TO EXCEED 2550-2800 CMA (1.29-1.42 mm<sup>2</sup>) (LIMITED 16 AWG RANGE).
- 0.00203 [.000080] MIN BRIGHT TIN-LEAD OVER  
 0.00127 [.000050] MIN NICKEL.
- 0.00076 [.000030] MIN THICK GOLD STRIPES IN LOCALIZED PLATE AREA ON BEAM AND DIMPLE OVER  
 0.00127 [.000050] MIN THICK NICKEL OVER ENTIRE CONTACT.
- DIMENSIONS IN BRACKETS ARE IN INCHES.
- FOR USE ONLY WITH LID STYLE HOUSING.
- 0.00203 [.000080] MIN BRIGHT TIN OVER  
 0.00127 [.000050] MIN NICKEL.
- OBSOLETE



SECTION B-B

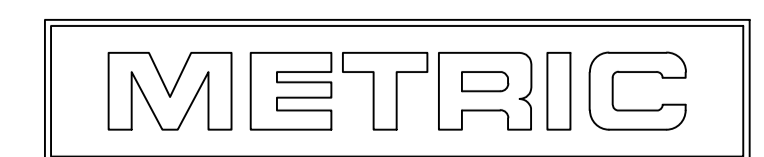


SECTION C-C



SECTION A-A  
 ROTATED 90° CCW

6	3-647485-1
3	647485-2
2	647485-1
FINISH	PART NUMBER



THIS DRAWING IS A CONTROLLED DOCUMENT.		DIN K. WHITAKER 15-JAN-2001		Tyco Electronics Corporation	
DIMENSIONS: mm (INCHES)		CHK J. ELLIS 15-JAN-2001		Harrisburg, PA 17105-3608	
TOLERANCES UNLESS OTHERWISE SPECIFIED:		APVD J. ELLIS 15-JAN-2001		NAME	
0 PLC ± -		PRODUCT SPEC		SL-156 HOODED RECEPTACLE, LARGE WIRE CONTACT, LOOSE PIECE	
1 PLC ± -		APPLICATION SPEC		108-1049	
2 PLC ± -		SIZE		114-1021	
3 PLC ± .005		WEIGHT		A1 00779 647485	
4 PLC ± -		MATERIAL PH BRZ		CUSTOMER DRAWING	
ANGLES ± -		FINISH SEE TABLE		SCALE 10:1 SHEET 1 OF 1 REV A1	