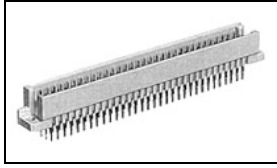


650889-5 Product Details



650889-5

TE Internal Number: 650889-5



Active

Eurocard Type R

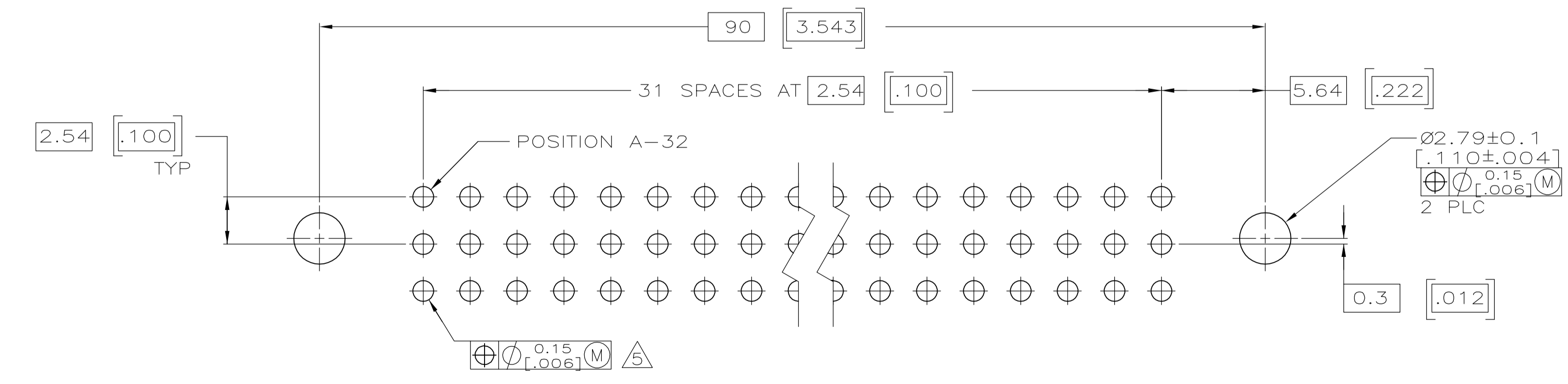
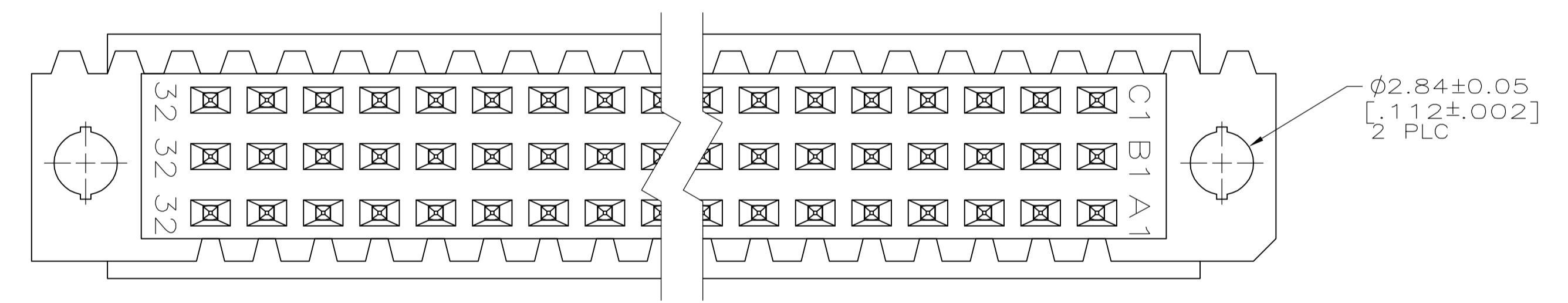
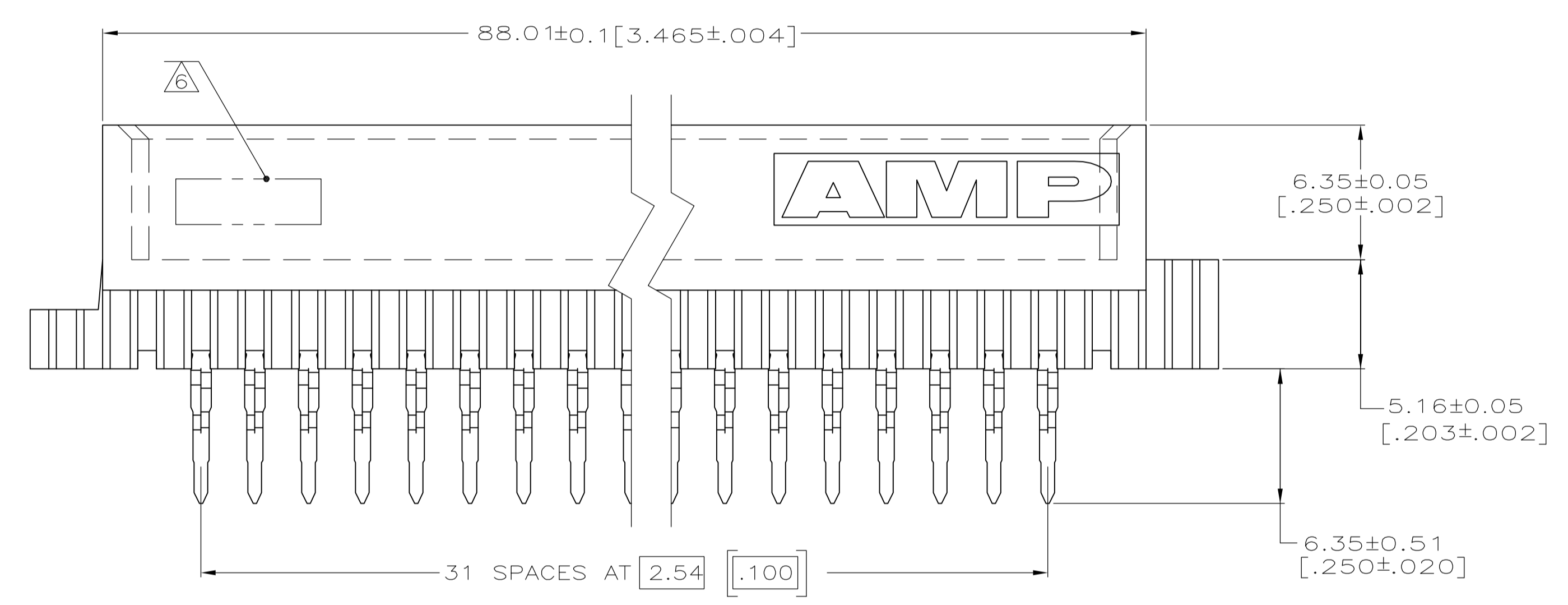
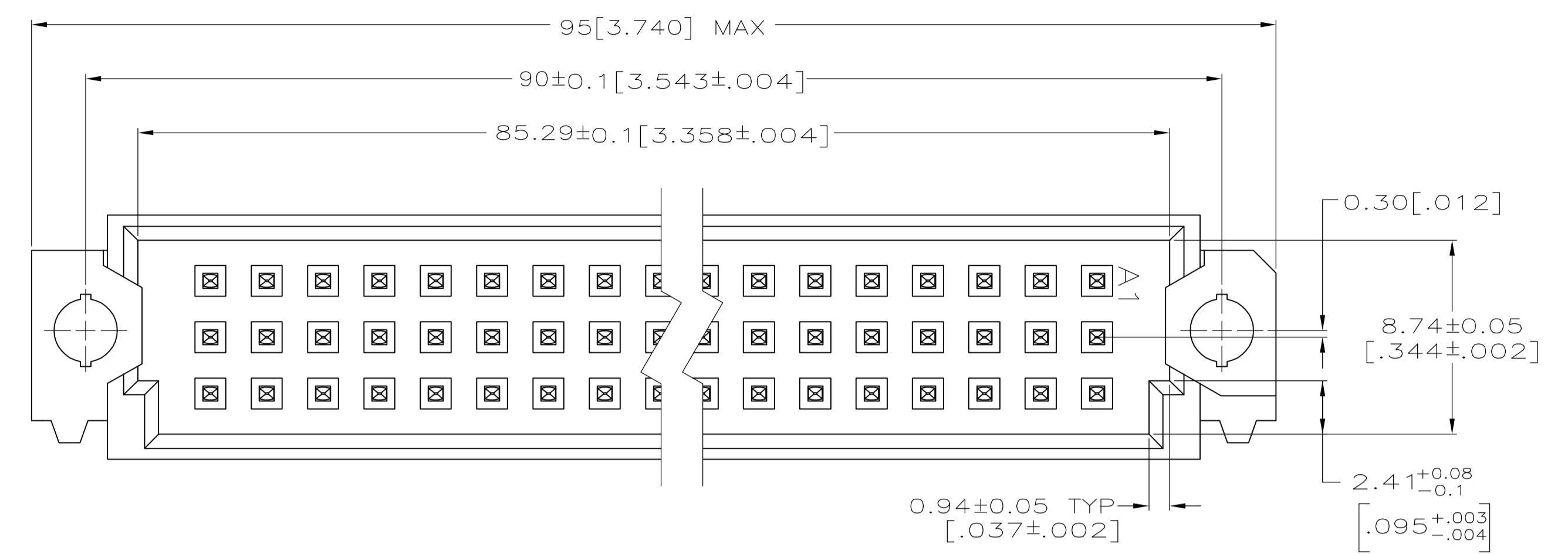
Not EU RoHS or ELV Compliant (Find RoHS Compliant Alternates)

Product Highlights:

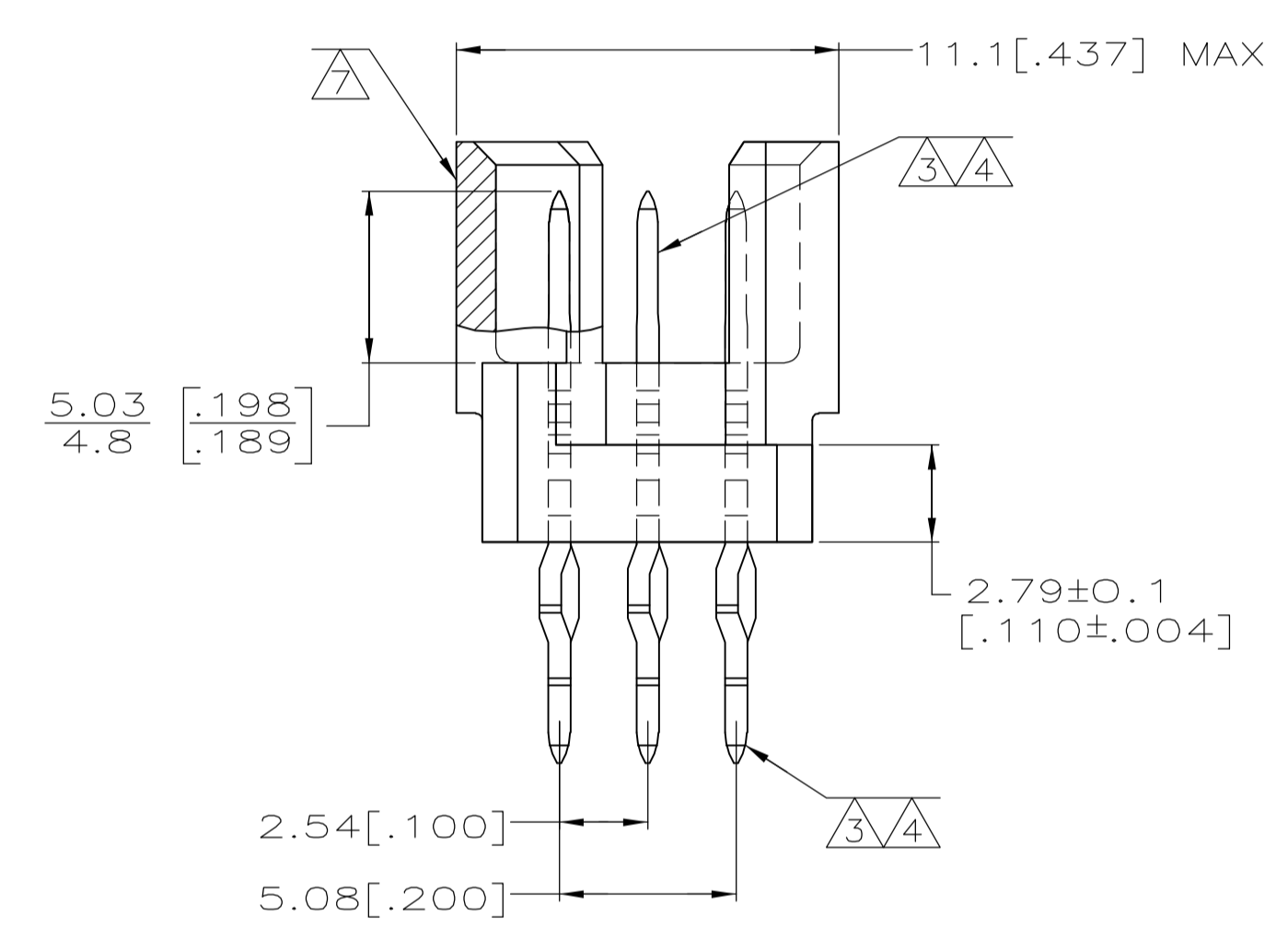
- Connector Style = Plug
- 96 Positions
- PCB Mounting Orientation = Vertical
- With PCB Mount Retention
- Action/Compliant Tail

Documentation & Additional Information	
<p>Product Drawings:</p> <ul style="list-style-type: none"> • PIN ASSEMBLY, EUROCARD, TYPE R (PDF, English) <p>Catalog Pages/Data Sheets:</p> <ul style="list-style-type: none"> • None Available <p>Product Specifications:</p> <ul style="list-style-type: none"> • None Available <p>Application Specifications:</p> <ul style="list-style-type: none"> • Eurocard Connectors Types B,C,M,Q,R, & Enhanced Typ... (PDF, English) <p>Instruction Sheets:</p> <ul style="list-style-type: none"> • None Available <p>CAD Files: (CAD Format & Compression Information)</p> <ul style="list-style-type: none"> • 2D Drawing (DXF, Version H) • 3D Model (IGES, Version H) • 3D Model (STEP, Version H) 	<p>Additional Information:</p> <ul style="list-style-type: none"> • Product Line Information <p>Related Products:</p> <ul style="list-style-type: none"> • Tooling • Mating Products (5)

Product Features (Please use the Product Drawing for all design activity)	
<p>Product Type Features:</p> <ul style="list-style-type: none"> • PCB Mounting Orientation = Vertical • PCB Mount Retention = With • PCB Mount Retention Type = Action/Compliant Tail • Post Type = Compliant Post • Guides = Without • Make First / Break Last = No • DIN Level = II • Flux-Tight Coating = Without • Color = Gray <p>Termination Features:</p> <ul style="list-style-type: none"> • Termination Post Length (mm [in]) = 6.35 [0.250] <p>Dimensions:</p> <ul style="list-style-type: none"> • PCB Thickness (Minimum) (mm [in]) = 2.36 [0.093] <p>Contact Features:</p> <ul style="list-style-type: none"> • Contact Cross Section (mm [in]) = 0.64 [.025] Sq. • Contact Base Material = Phosphor Bronze 	<p>Housing Features:</p> <ul style="list-style-type: none"> • Connector Style = Plug • Mating Alignment = Without • Housing Material = Polyester • UL Flammability Rating = UL 94V-0 <p>Configuration Features:</p> <ul style="list-style-type: none"> • Number of Positions = 96 • Rows Loaded = A, B, C <p>Industry Standards:</p> <ul style="list-style-type: none"> • RoHS/ELV Compliance = Not ELV/RoHS compliant • Lead Free Solder Processes = Not relevant for lead free process <p>Other:</p> <ul style="list-style-type: none"> • Brand = AMP



- △ HOUSING MATERIAL: GLASS-FILLED POLYESTER. COLOR: GRAY.
- △ POST MATERIAL: PHOSPHOR BRONZE.
- △ POST FINISH: DIN 41612 CLASS 3 IN CONTACT AREA. TIN-LEAD PLATE ON POSTS.
- △ POST FINISH: DIN 41612 CLASS 2 IN CONTACT AREA. TIN-LEAD PLATE ON POSTS.
- △ ACTION PIN POSTS REQUIRE 2.36[.093] MINIMUM THICK PC BOARD. RECOMMENDED PC BOARD HOLES ARE 1.151[.0453] DIA PLATED THROUGH WITH 0.02-0.08[.001-.003] COPPER AND 0.008[.0003] MINIMUM TIN-LEAD PLATING. FINISHED HOLE AFTER PLATING, 0.94-1.09[.037-.043] DIA.
- △ [PART NUMBER, DATE CODE] MARKED THIS APPROXIMATE AREA.
- △ MARKING ON THIS SIDE.



OBSOLETE	△3	1-32	X	X	X	96	650889-9
	△4	1-32	X	X	X	96	650889-5
NOTES	POSITIONS LOADED	ROWS LOADED	C	B	A	NO. OF LOADED POSITION	ASSY PART NUMBER

THIS DRAWING IS A CONTROLLED DOCUMENT.		DIN L BRINER 3/18/91	Tyco Electronics Corporation Harrisburg, PA 17105-3608	
DIMENSIONS: mm [INCHES]		CHK D.C. RUBENDALL 3/26/91	APVD NAME	
TOLERANCES UNLESS OTHERWISE SPECIFIED:		PRODUCT SPEC		
0 PLC ± -	1 PLC ± -	APPLICATION SPEC		
2 PLC ± -	3 PLC ± 0.13[.005]	SIZE CAGE CODE DRAWING NO		
4 PLC ± -	ANGLES ± -	RESTRICTED TO		
MATERIAL	FINISH	WEIGHT	A1 00779 C=650889	SCALE 5:1 SHEET 1 OF 1 REV H
CUSTOMER DRAWING		SCALE 5:1 SHEET 1 OF 1 REV H		