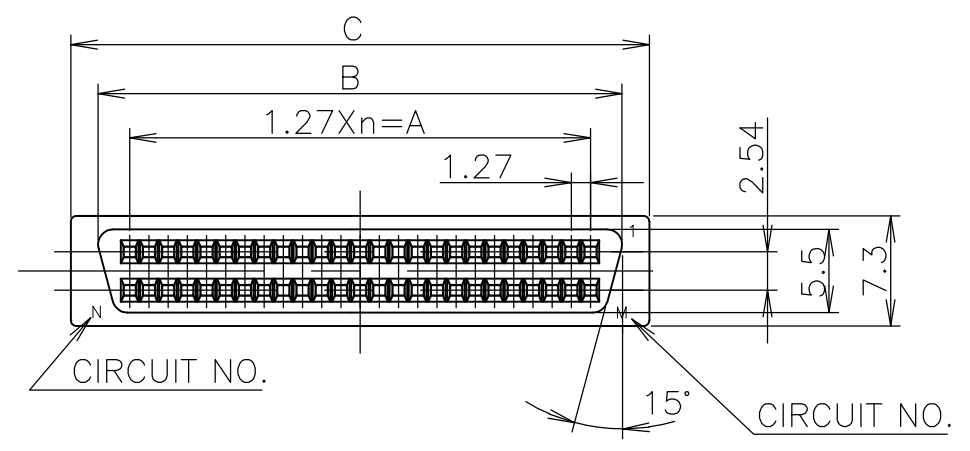
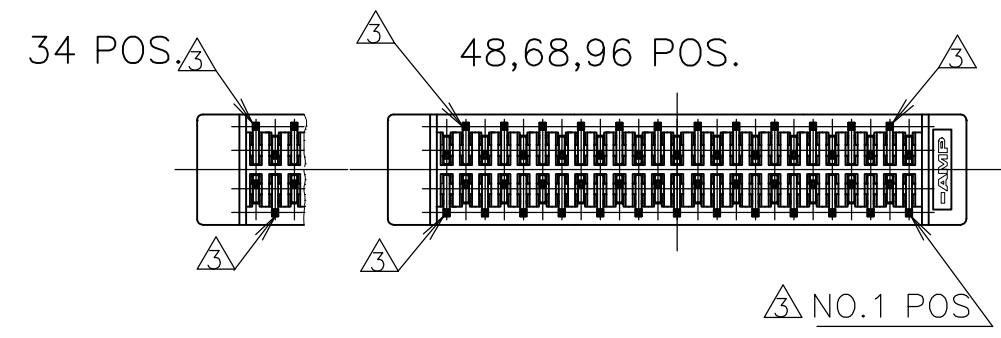
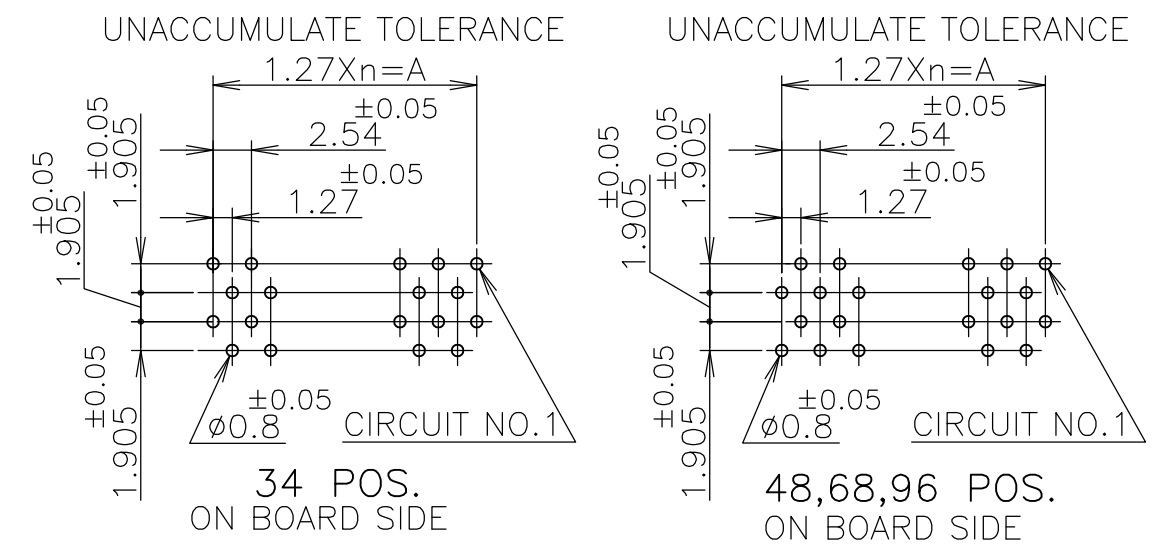
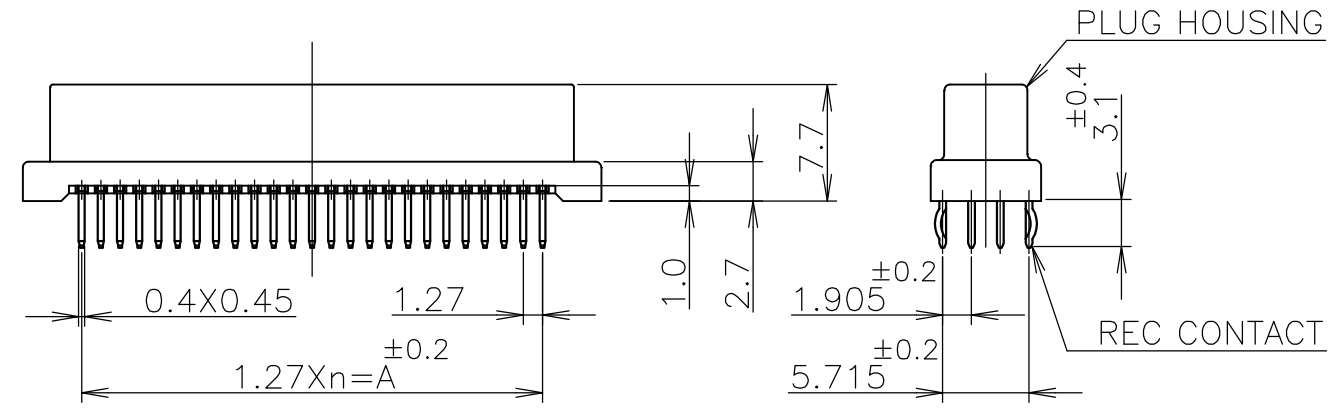


THIS DRAWING IS UNPUBLISHED. RELEASED FOR PUBLICATION JAN , 2005.
 © COPYRIGHT 2005 By - ALL RIGHTS RESERVED.

LOC	DIST	REVISIONS					
J	-	P	LTR	DESCRIPTION	DATE	DWN	APVD
		P		REVISED PER ECO-11-005030	11MAR11	RK	HMR



- ① MATERIAL AND FINISH
 PLUG HOUSING ; THERMOPLASTIC (UL94V-0) COLOR:BLACK
 REC. CONTACT ; COPPER ALLOY FINISH,OVER NICKEL
 MATING END:0.0002 MIN. OR 0.00076 MIN. GOLD
 TERMINATION END:TIN OVER SEALING TREATMENT.
- 2 P.C.B. LAYOUT AND P.C.B. TREATMENT(REF.)
 USE A P.C.B. SURFACE ARE TREATED WITH SOLDER RESIST.
- ③ KINK POSITIONS(4 POSITIONS).
- ④ OBSOLETE PARTS: OBSOLETE CIS STREAMLINING PER D.RENAUD/D.SINISI



④ OBSOLETE	Au PL. 0.00076 MIN.	96	49	59.69	63.86	71.00	47	96	6-	-8
		68	35	41.91	46.08	53.22	33	68	6-	-7
		48	25	29.21	33.38	40.52	23	48	6-	-6
		34	18	20.32	24.49	31.63	16	34	6-	-5
④ OBSOLETE	Au PL. 0.0002 MIN.	96	49	59.69	63.86	71.00	47	96		-8
		68	35	41.91	46.08	53.22	33	68		-7
		48	25	29.21	33.38	40.52	23	48		-6
		34	18	20.32	24.49	31.63	16	34	5174681	-5
REMARK		N	M	A	B	C	n	POS.	PART NO.	

THIS DRAWING IS A CONTROLLED DOCUMENT.

DIMENSIONS: 単位: 耗 mm

TOLERANCES UNLESS OTHERWISE SPECIFIED: 一般公差

GENERAL TOLERANCE 一般公差

10 ≥ : ±0.2
 30 ≥ > 10: ±0.25
 100 ≥ > 30: ±0.3
 ANGLES: ±3°

DWN T.KAWAMAE 18JAN05

CHK I.ENOMOTO 18JAN05

APVD I.ENOMOTO 18JAN05

PRODUCT SPEC 製品規格 108-60036

APPLICATION SPEC 取付適用規格

WEIGHT

TE Connectivity

PLUG ASSY VERTICAL (W/KINK)
 AMPLIMATE .050 SERIES I B-TO-B CONN.

SIZE A3 CAGE CODE 00779 DRAWING NO. C-5174681 RESTRICTED TO

CUSTOMER DRAWING SCALE 尺度 2:1 SHEET 1 OF 1 REV P