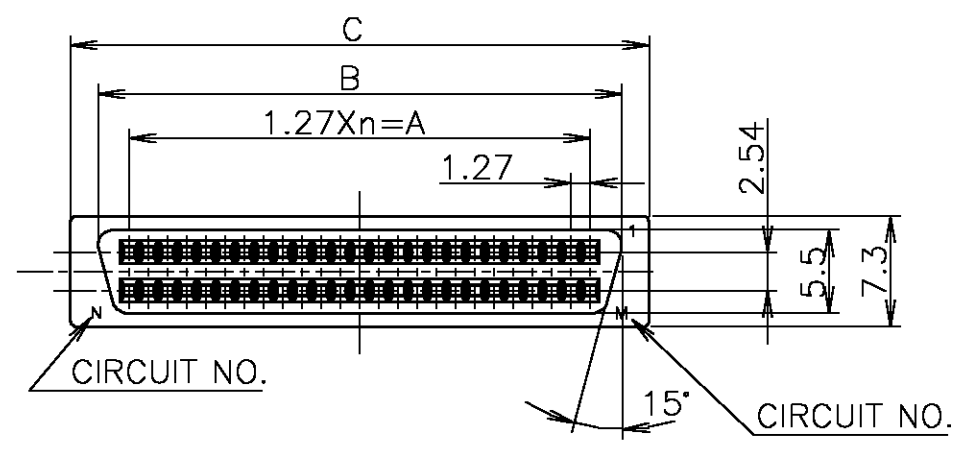
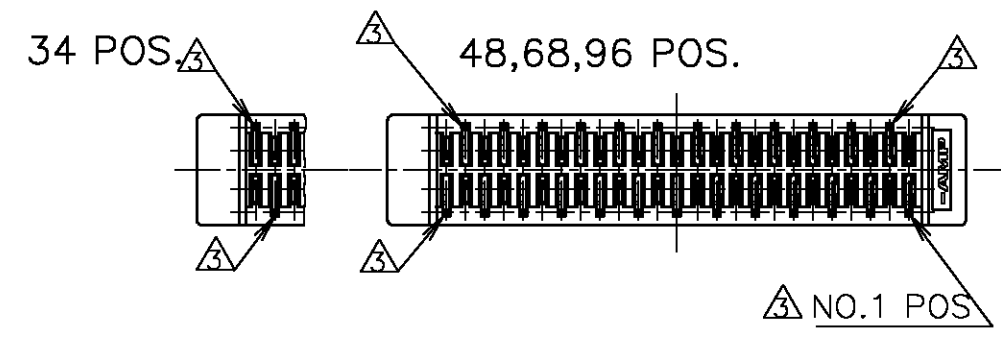
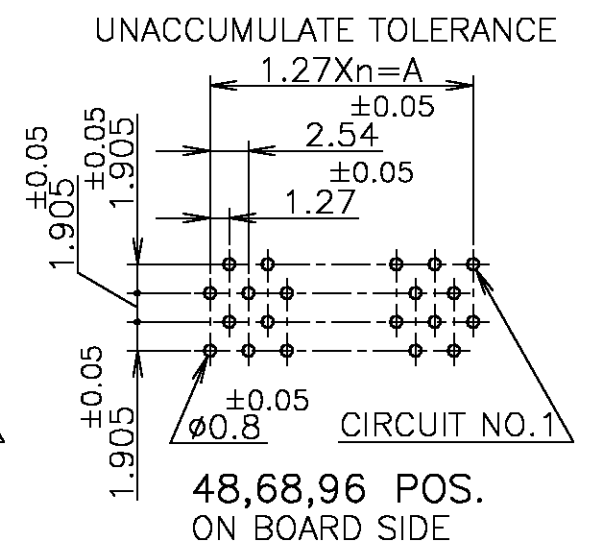
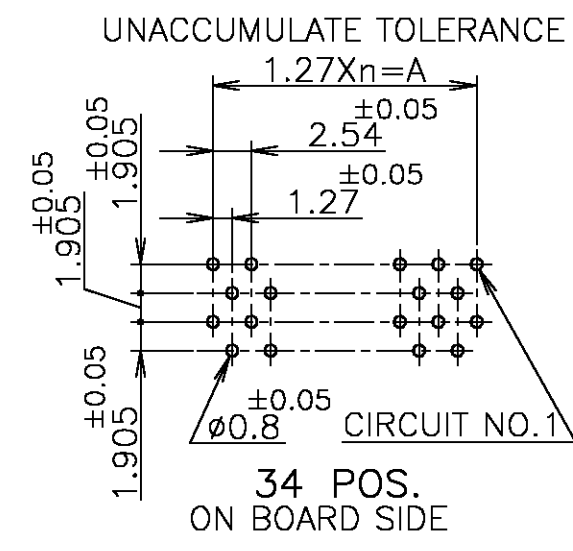
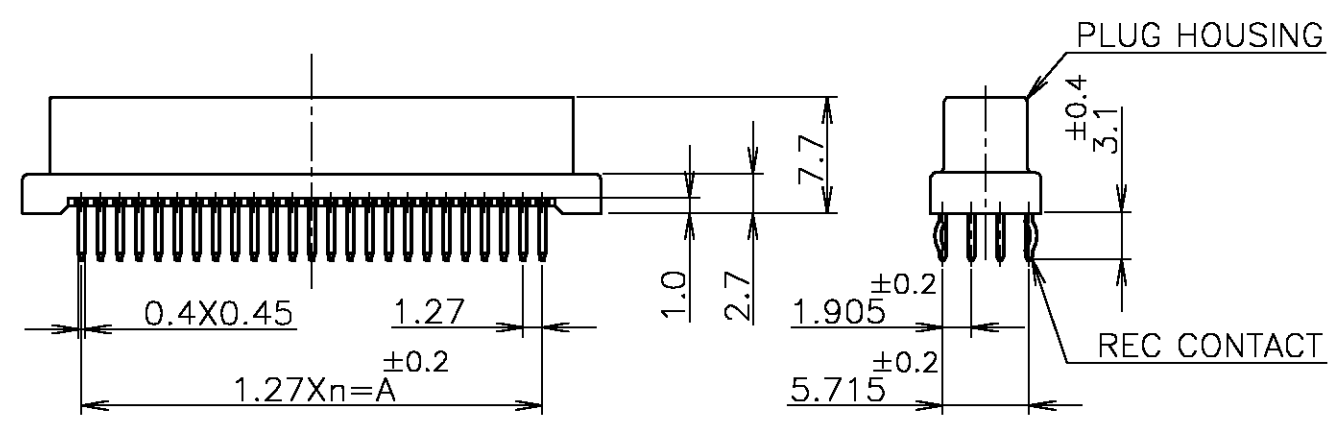


THIS DRAWING IS UNPUBLISHED. RELEASED FOR PUBLICATION JAN, 2005.
 © COPYRIGHT 2005 BY TYCO ELECTRONICS CORPORATION. ALL RIGHTS RESERVED.

LOC	DIST	REVISIONS		
		P	LTR	DESCRIPTION
J	/	0	RELEASED	18JAN05
				T.K
				I.E



- ① MATERIAL AND FINISH
 PLUG HOUSING ; THERMOPLASTIC (UL94V-0) COLOR:BLACK
 REC. CONTACT ; COPPER ALLOY FINISH OVER NICKEL
 MATING END:0.0002 MIN. OR 0.00076 MIN. GOLD
 TERMINATION END:TIN OVER SEALING TREATMENT.
- 2 P.C.B. LAYOUT AND P.C.B. TREATMENT(REF.)
 USE A P.C.B. SURFACE ARE TREATED WITH SOLDER RESIST.
- ③ KINK POSITIONS(4 POSITIONS).



Au PL. 0.00076 MIN.	96	49	59.69	63.86	71.00	47	96	6-	-8
	68	35	41.91	46.08	53.22	33	68	6-	-7
	48	25	29.21	33.38	40.52	23	48	6-	-6
	34	18	20.32	24.49	31.63	16	34	6-	-5
Au PL. 0.0002 MIN.	96	49	59.69	63.86	71.00	47	96		-8
	68	35	41.91	46.08	53.22	33	68		-7
	48	25	29.21	33.38	40.52	23	48		-6
	34	18	20.32	24.49	31.63	16	34		5174681-5
REMARK	N	M	A	B	C	n	POS.	PART NO.	

GENERAL TOLERANCE
 一般公差
 10 ≥ : ±0.2
 30 ≥ > 10: ±0.25
 100 ≥ > 30: ±0.3
 ANGLES: ±3'

THIS DRAWING IS A CONTROLLED DOCUMENT.

DIMENSIONS: 単位: 筈 MM

TOLERANCES UNLESS OTHERWISE SPECIFIED: 一般公差

0 PLC ± -
 1 PLC ± -
 2 PLC ± -
 3 PLC ± -
 4 PLC ± -
 ANGLES ± -

MATERIAL 材料

FINISH 仕上

DWN T.KAWAMAE 18JAN05
 CHK I.ENOMOTO 18JAN05
 APVD I.ENOMOTO 18JAN05

PRODUCT SPEC 製品規格 108-60036
 APPLICATION SPEC 取付適用規格

WEIGHT

CUSTOMER DRAWING

tyco Tyco Electronics AMP K.K. Kawasaki.Japan

NAME 名称 PLUG ASSY VERTICAL (W/KINK)
 AMPLIMATE .050 SERIES I B-TO-B CONN.

SIZE A3 CAGE CODE 00779 DRAWING NO 番号 C=5174681 RESTRICTED TO 番号

SCALE 尺度 2:1 SHEET 1 OF 1 REV 0