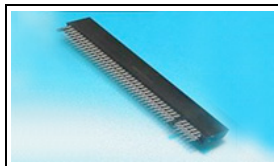


6-5530843-5 Product Details



6-5530843-5

TE Internal Number: 6-5530843-5



Standard Edge II Card Edge & Power Connectors



Product Highlights:

- Connector
- Product Series = Standard Edge II
- Type of Connector = Standard
- 2.54 mm Centerline
- 31 Dual Positions

Documentation & Additional Information

Product Drawings:

- [CONNECTOR ASSEMBLY STANDARD EDGE II, .100 CENTERLINE](#) (PDF, English)

Catalog Pages/Data Sheets:

- [POWER_CONNECTORS_CATALOG_SEC03_CARD_EDGE](#) (PDF, English)

Product Specifications:

- [Connector, Standard Edge](#) (PDF, English)

Application Specifications:

- [Standard Edge Card \(SEC\) II, SEC II Power, and High ...](#) (PDF, English)

Instruction Sheets:

- None Available

CAD Files: (CAD Format & Compression Information)

- [2D Drawing](#) (DXF, Version F)
- [3D Model](#) (IGES, Version F)
- [3D Model](#) (STEP, Version F)

Related Products:

- [Tooling](#)

Product Features (Please use the Product Drawing for all design activity)

Product Type Features:

- Product Type = Connector
- Product Series = Standard Edge II
- Type of Connector = Standard
- Post Type = Solder Post
- PCB Mounting Orientation = Vertical
- PCB Mount Retention = Without

Mechanical Attachment:

- Mounting Ears = Without

Electrical Characteristics:

- High Current = No

Termination Features:

- Termination Post Length (mm [in]) = 3.18 [0.125]
- Solder Tail Contact Plating = Tin

Body Features:

- Retention Latch = Without

Contact Features:

- Contact Plating, Mating Area, Material = Gold (30)
- Contact Base Material = Phosphor Bronze
- Underplate Material = Nickel

Housing Features:

- Centerline (mm [in]) = 2.54 [0.100]
- Housing Material = Polyester GF
- Housing Color = Black
- UL Flammability Rating = UL 94V-0

Configuration Features:

- Number of Dual Positions = 31
- Positions Unloaded = None

Industry Standards:

- RoHS/ELV Compliance = RoHS compliant, ELV compliant
- Lead Free Solder Processes = Wave solder capable to 240°C, Wave solder capable to 260°C, Wave solder capable to 265°C
- RoHS/ELV Compliance History = Always was RoHS compliant

Identification Marking:

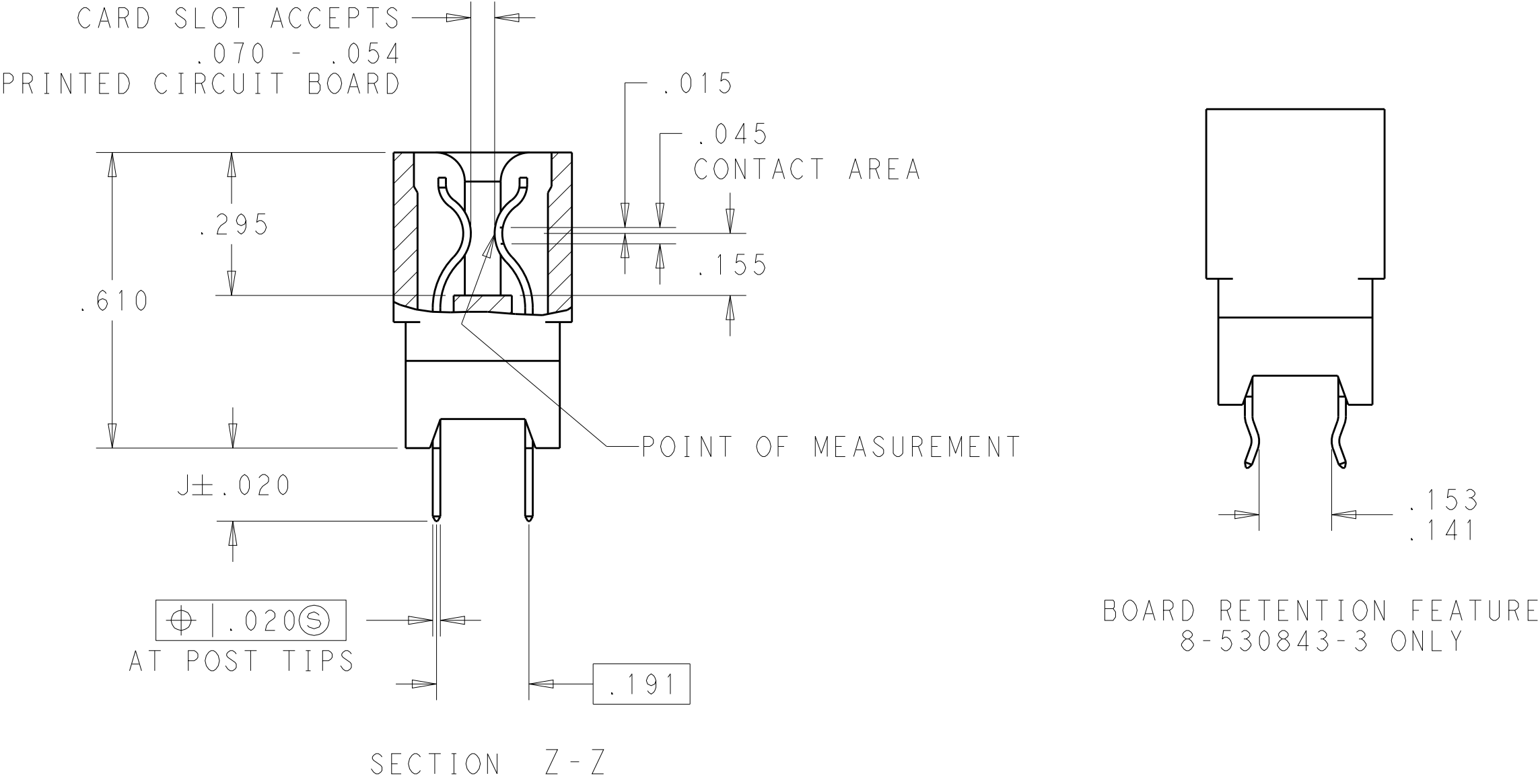
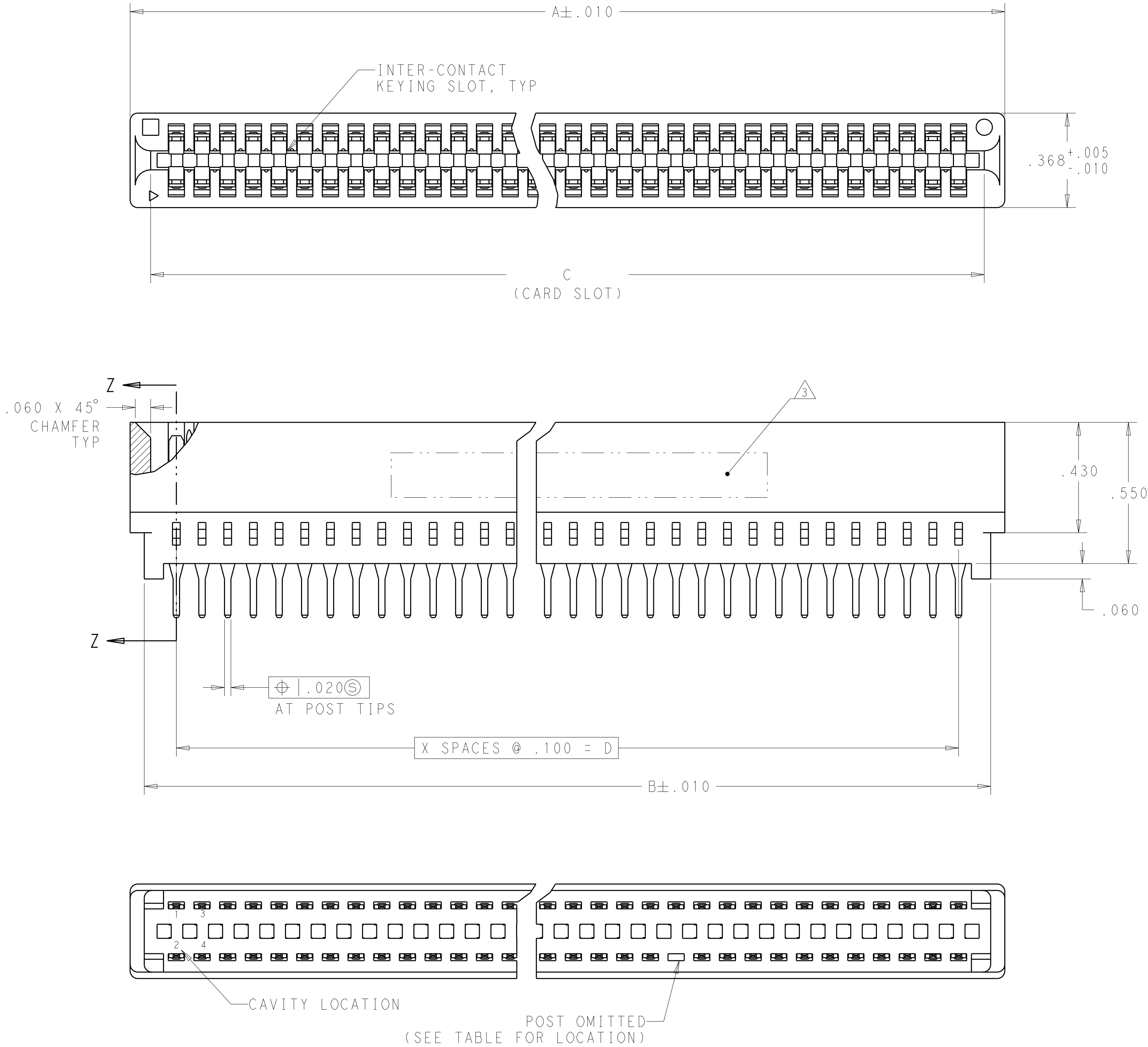
- Keyed Position = 0



Other:

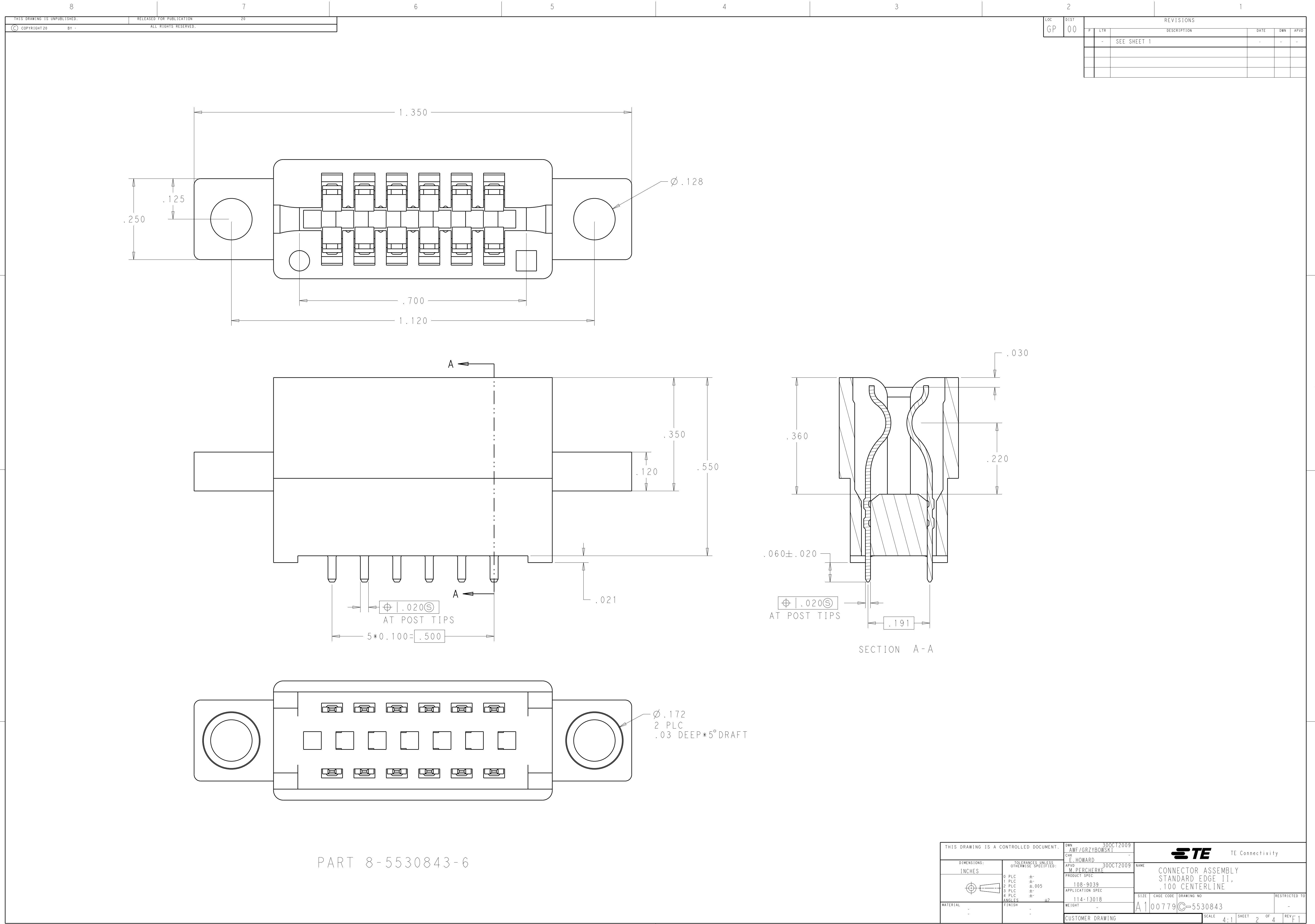
- Brand = AMP

LOC	DIST	REVISIONS						
		P	LTR	DESCRIPTION	DATE	DWN	APVD	
GP	00		E8	ADD NEW PART -87	20FEB2012	AY	SZ	
			E9	ADD NEW PART -88	25FEB2013	AY	SZ	
			F	CHANGE PART -88 TAIL LENGTH	25APR2013	AY	SZ	
			F1	UPDATE THE OMITTED PINS	20FEB2013	AY	SZ	

- 1 MATERIAL:
HOUSING - GLASS FILLED POLYESTER, COLOR BLACK
CONTACT - PHOSPHOR BRONZE
- 2 FINISH:
(SEE TABLE FOR GOLD PLATING) IN CONTACT AREA.
.000100 MIN MATTE TIN ON SOLDER POSTS. ALL OVER
.000050 MIN THK. NICKEL
- 3 AMP LOGO, TE PART NUMBER, DATE CODE AND CSA LOGO INK
STAMPED WHITE (HOT STAMPED OR LAZER PRINTED) IN THE
APPROXIMATE AREA SHOWN, EITHER SIDE PERMISSABLE WHEN
HOUSING SIZE PERMITS
4. RECOMMENDED PCB FINISHED HOLE \varnothing .040 \pm .003
- 5 .000015 MIN
- 6 .000030 MIN
- 7 OBSOLETE PARTS: OBSOLETE CIS STREAMLINING PER D.RENAUD/D.SINISI



THIS DRAWING IS A CONTROLLED DOCUMENT.		DWN JAWF/GRZYBOWSKI	30OCT2009	 TE Connectivity					
DIMENSIONS: INCHES		CHK E.HOWARD	-						
	TOLERANCES UNLESS OTHERWISE SPECIFIED:	APVD M.PERCHEK	30OCT2009	NAME CONNECTOR ASSEMBLY STANDARD EDGE II, .100 CENTERLINE					
		PRODUCT SPEC							
		108-9039							
		APPLICATION SPEC							
MATERIAL -	FINISH -	114-13018		SIZE A1	CAGE CODE 00779	DRAWING NO 5530843	RESTRICTED TO -		
		WEIGHT -							
CUSTOMER DRAWING						SCALE 4:1	SHEET 1 OF 4	REV F1	



LOC		DIST		REVISIONS			
P	LTR	DESCRIPTION		DATE	DWN	APVD	
-	-	SEE SHEET 1		-	-	-	

PART 8-5530843-6

THIS DRAWING IS A CONTROLLED DOCUMENT.		DWN AWF/GRZYBOWSKI	30OCT2009	TE Connectivity			
DIMENSIONS: INCHES		CHK E.HOWARD	-				
		APVD M.PERCHEK	30OCT2009	NAME CONNECTOR ASSEMBLY STANDARD EDGE II, .100 CENTERLINE			
		PRODUCT SPEC 108-9039		SIZE A100779			
TOLERANCES UNLESS OTHERWISE SPECIFIED:		APPLICATION SPEC 114-13018		CAGE CODE 5530843		DRAWING NO 5530843	
MATERIAL -		FINISH -		WEIGHT -		CUSTOMER DRAWING	
				SCALE 4:1		SHEET 2 OF 4	
						REV F1	

LOC	DIST	REVISIONS						
GP	00	P	LTR	DESCRIPTION	DATE	DWN	APVD	
		-		SEE SHEET 1	-	-	-	

OBSOLETE	8-5530843-2
OBSOLETE	8-5530843-1
OBSOLETE	4-5530843-1
OBSOLETE	1-5530843-9
OBSOLETE	1-5530843-2
	PART NUMBER

F1	17,18,21,22,23,24	-		1.586	.187	1.400	1.600	1.650	1.760	14	15	8-5530843-8
	17,18,19,20	-		1.286	.125	1.100	1.300	1.350	1.460	11	12	8-5530843-7
				0.686	-	.500	.700	-	-	5	6	8-5530843-6
				1.286	.187	1.100	1.300	1.350	1.460	11	12	8-5530843-5
	19,20,21,22,23,24,27,28,31,32,35,36,39 40,43,44,45,46,47,48,51,52,55,56,59,60	-		3.186	.125	3.000	3.200	3.250	3.360	30	31	8-5530843-4
	3,4,5,6,19,20,21,22			1.286	.125	1.100	1.300	1.350	1.460	11	12	8-5530843-3
	-			.386	.125	.200	.400	.450	.560	2	3	7-5530843-7
	-			.686	.187	.500	.700	.750	.860	5	6	7-5530843-6
	-			.686	.125	.500	.700	.750	.860	5	6	7-5530843-5
	-			3.186	.125	3.000	3.200	3.250	3.360	30	31	7-5530843-0
	-			3.186	.125	3.000	3.200	3.250	3.360	30	31	6-5530843-5
	OBSOLETE	-		6.086	.125	5.900	6.100	6.150	6.260	59	60	5-5530843-5
	-			2.086	.125	1.900	2.100	2.150	2.260	19	20	5-5530843-4
	-			1.786	.125	1.600	1.800	1.850	1.960	16	17	5-5530843-3
	-			1.086	.125	.900	1.100	1.150	1.260	9	10	5-5530843-0
	-			1.886	.125	1.700	1.900	1.950	2.060	17	18	2-5530843-7
	-			3.586	.125	3.400	3.600	3.650	3.760	34	35	2-5530843-3
	-			5.086	.187	4.900	5.100	5.150	5.260	49	50	2-5530843-2
	-			4.086	.187	3.900	4.100	4.150	4.260	39	40	2-5530843-0
	-			3.086	.187	2.900	3.100	3.150	3.260	29	30	1-5530843-8
	-			2.586	.187	2.400	2.600	2.650	2.760	24	25	1-5530843-6
	-			4.386	.125	4.200	4.400	4.450	4.560	42	43	1-5530843-0
	-			3.686	.125	3.500	3.700	3.750	3.860	35	36	5530843-8
	-			3.086	.125	2.900	3.100	3.150	3.260	29	30	5530843-7
	-			2.886	.125	2.700	2.900	2.950	3.060	27	28	5530843-6
	-			2.586	.125	2.400	2.600	2.650	2.760	24	25	5530843-5
	-			2.286	.125	2.100	2.300	2.350	2.460	21	22	5530843-4
	-			1.886	.125	1.700	1.900	1.950	2.060	17	18	5530843-3
	-			1.586	.125	1.400	1.600	1.650	1.760	14	15	5530843-2
	-			1.286	.125	1.100	1.300	1.350	1.460	11	12	5530843-1
	OMITTED PIN	BOARD RETENTION FEATURE LOCATION (SEE DETAIL Y)	FINISH	Z	J	D	C	B	A	X	NO. OF DUAL POSITIONS	PART NUMBER

THIS DRAWING IS A CONTROLLED DOCUMENT.

DIMENSIONS:
INCHES

MATERIAL
-

TOLERANCES UNLESS
OTHERWISE SPECIFIED:

0 PLC ±
1 PLC ±.005
2 PLC ±
3 PLC ±
4 PLC ±
ANGLES ±#2
FINISH -

DWN
JAW/GRZYBOWSKI

CHK
E.HOWARD

APVD
M.PERCHEK

PRODUCT SPEC

APPLICATION SPEC

114-13018

WEIGHT
-

CUSTOMER DRAWING

30OCT2009

30OCT2009

30OCT2009

108-9039

114-13018

100779

5530843

4

F1

TE Connectivity

NAME
CONNECTOR ASSEMBLY
STANDARD EDGE 11,
.100 CENTERLINE

SIZE
A1

CAGE CODE
00779

DRAWING NO
5530843

RESTRICTED TO
-

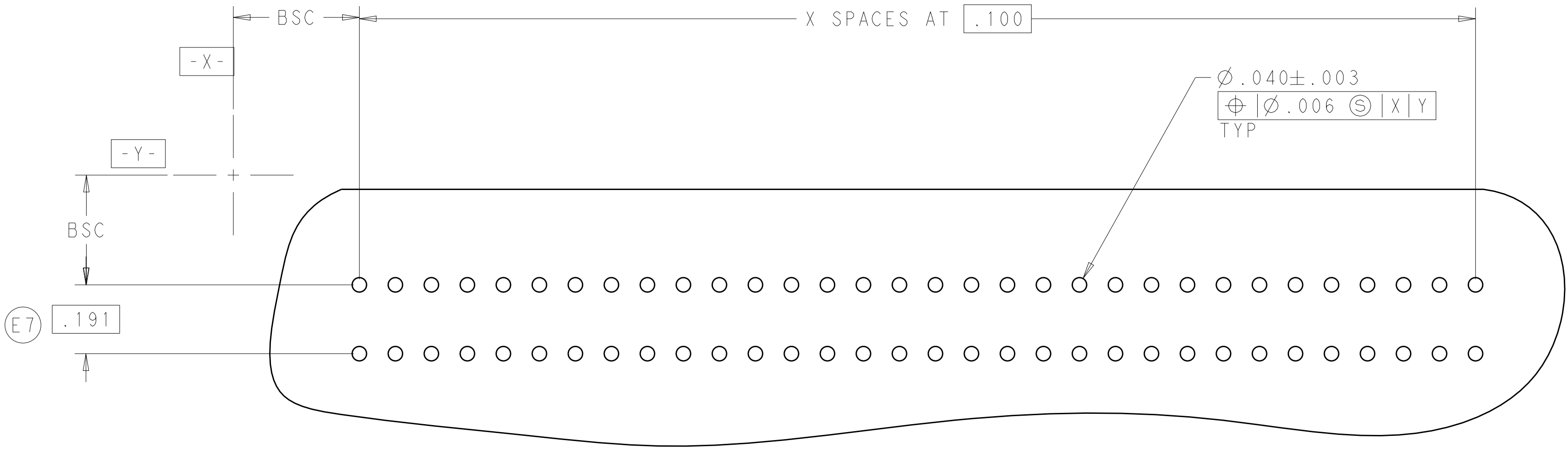
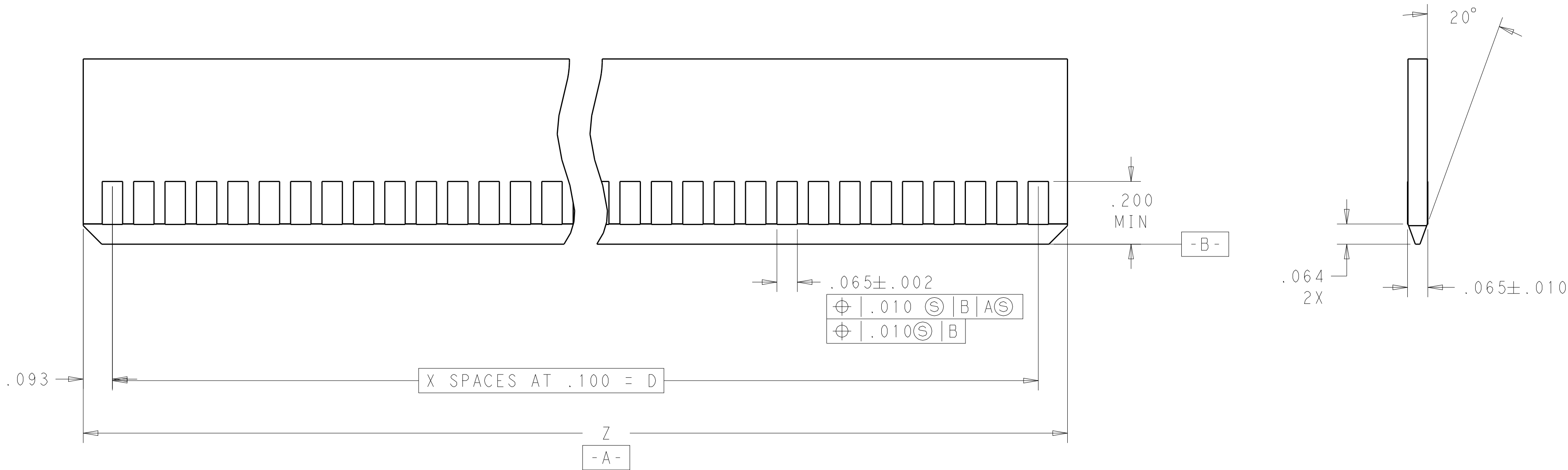
SCALE
4:1


SHEET
3

OF
4

REV
F1

LOC	DIST	REVISIONS					
GP	00	P	LTR	DESCRIPTION	DATE	DWN	APVD
		-	-	SEE SHEET 1	-	-	-



THIS DRAWING IS A CONTROLLED DOCUMENT.		DWN AWF/GRZYBOWSKI	30OCT2009	 TE Connectivity	
DIMENSIONS: INCHES		CHK E.HOWARD	-		
TOLERANCES UNLESS OTHERWISE SPECIFIED:		APVD M.PERCHEK	30OCT2009	NAME CONNECTOR ASSEMBLY STANDARD EDGE II, .100 CENTERLINE	
0 PLC 1 PLC 2 PLC 3 PLC 4 PLC ANGLES FINISH		±" ±.005 ±" ±" ±" #2	PRODUCT SPEC 108-9039 APPLICATION SPEC 114-13018 WEIGHT -		
MATERIAL -		CUSTOMER DRAWING		SIZE A1	CAGE CODE 00779
				DRAWING NO 5530843	RESTRICTED TO -
				SCALE 4:1	SHEET 4
				OF 4	REV F1