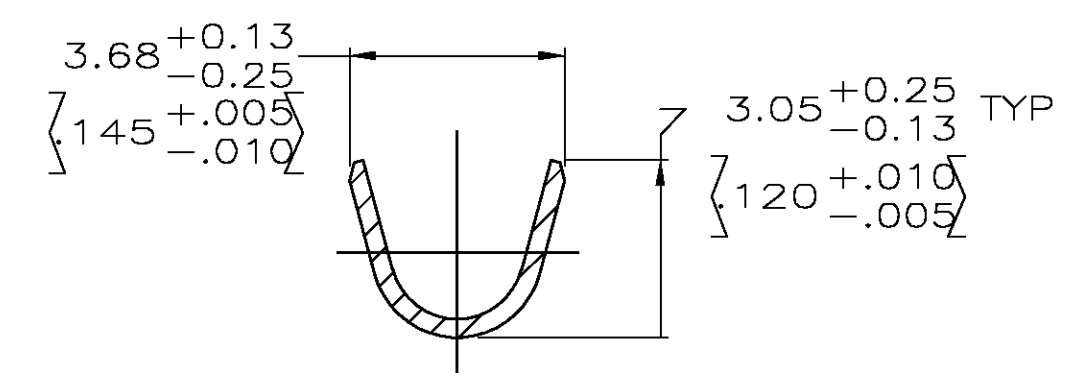
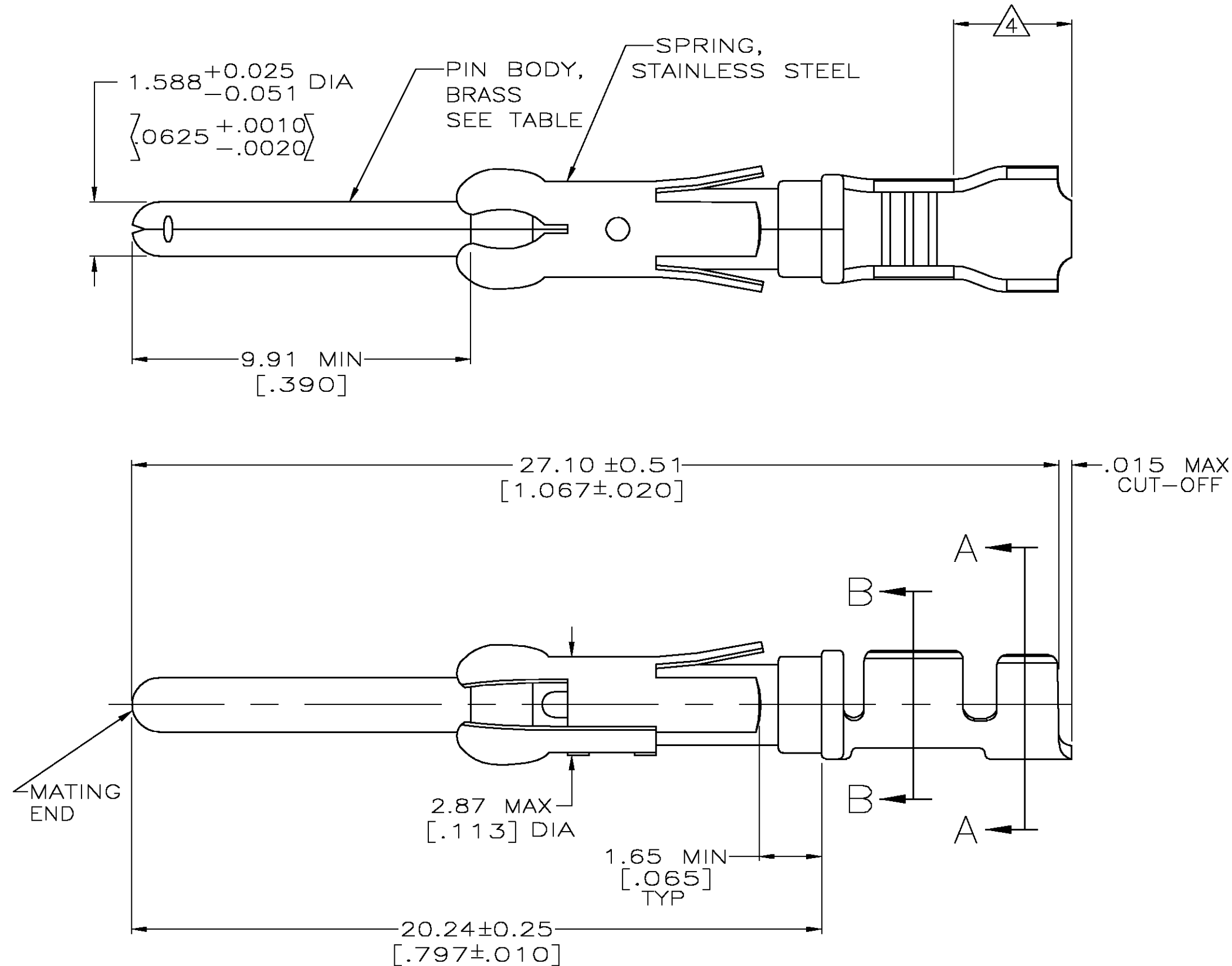
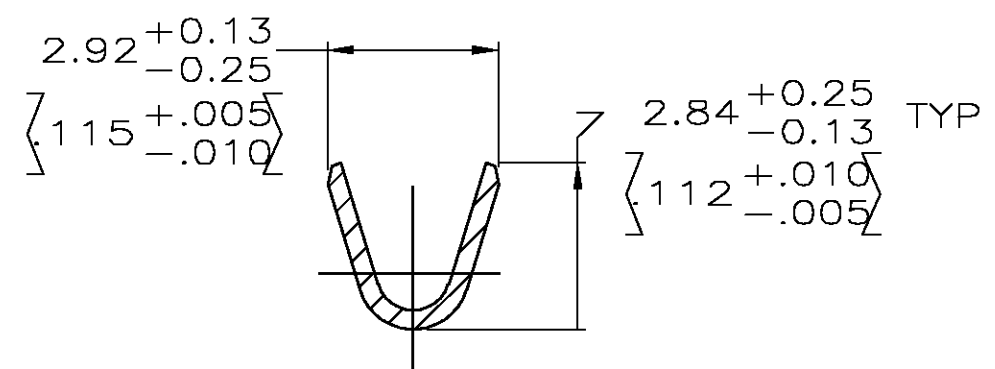


THIS DRAWING IS UNPUBLISHED. RELEASED FOR PUBLICATION  
 © COPYRIGHT BY TYCO ELECTRONICS CORPORATION. ALL RIGHTS RESERVED.

LOC	DIST	REVISIONS			
P	LTR	DESCRIPTION	DATE	DWN	APVD
FT	47				
		D	OG3B-0344-03	29APR03	TK GS



SECTION A-A



SECTION B-B

- ① 0.76µm [.000030] MIN GOLD PER MIL-G-45204 ON MATING END FOR A LENGTH OF 5.08 [.200] MIN WITH GOLD FLASH ON THE REMAINDER, OVER 1.27µm [.000050] MIN NICKEL PER QQ-N-290.
- ② 0.76µm [.000030] MIN GOLD PER MIL-G-45204 IN MATING END FOR A LENGTH OF 5.08 [.200] MIN WITH A UNIFORM GRADIENT TO 0.25µm [.000010] MIN GOLD PER MIL-G-45204 ON THE REMAINDER, OVER 1.27µm [.000050] MIN NICKEL PER QQ-N-290.
- ③ 0.38µm [.000015] MIN GOLD PER MIL-G-45204 ON MATING END FOR A LENGTH OF 5.08 [.200] MIN WITH GOLD FLASH ON THE REMAINDER OVER 1.27µm [.000050] MIN NICKEL PER QQ-N-290.
- ④ GOLD PLATING NOT REQUIRED IN THIS AREA.
- ⑤ 1.27µm [.000050] MIN TIN-LEAD PER MIL-T-10727 OVER 1.27µm [.000050] MIN NICKEL PER QQ-N-290.
- 6. WIRE RANGE 18-16 AWG.
- 7. INSULATION RANGE 2.03[.080]-2.54[.100] DIA.
- ⑧ 0.38µm [.000015] MIN GOLD PER MIL-G-45204 ON MATING END FOR A LENGTH OF 5.08 [.200] MIN, 1.27µm [.000050] MIN TIN-LEAD PER MIL-T-10727 ON OPPOSITE END FOR A LENGTH OF 5.69 [.224] MIN, BOTH OVER 1.27µm [.000050] MIN NICKEL PER QQ-N-290.
- ⑨ 1.27µm [.000050] MIN TIN PER MIL-T-10727 OVER 1.27µm [.000050] MIN NICKEL PER QQ-N-290.

	SMALL PACK	⑨	1-66098-8	1-66099-6
	STANDARD	⑨	1-66098-8	1-66099-5
	SMALL PACK	①	66098-4	1-66099-4
	SMALL PACK	③	66098-3	1-66099-3
	SMALL PACK	⑤	66098-2	1-66099-2
	SMALL PACK	②	66098-1	1-66099-1
OBSOLETE	STANDARD	⑧	1-66098-6	1-66099-0
	STANDARD	①	66098-4	66099-4
	STANDARD	③	66098-3	66099-3
	STANDARD	⑤	66098-2	66099-2
	STANDARD	②	66098-1	66099-1
	PACKAGING TYPE	CONTACT FINISH	STRIP P/N REF	PART NO

THIS DRAWING IS A CONTROLLED DOCUMENT.		DWN	05/29/92	Tyco Electronics Corporation	
DIMENSIONS: INCHES		CHK	6-11-92	City, State, Zip	
TOLERANCES UNLESS OTHERWISE SPECIFIED:		APVD	7-7-92	NAME	
0 PLC ± -		PRODUCT SPEC		PIN ASSEMBLY, LOOSE PIECE, TYPE III+	
1 PLC ± -		APPLICATION SPEC		-	
2 PLC ± 0.13 [.005]		WEIGHT		SIZE	
3 PLC ± -		-		CAGE CODE	
4 PLC ± -		-		DRAWING NO	
ANGLES ± -		-		RESTRICTED TO	
FINISH		-		-	
MATERIAL SEE CALLOUTS		-		SCALE	
SEE CALLOUTS		-		8:1	
		CUSTOMER DRAWING		SHEET 1 OF 1	
				REV D	

66099

B

A