



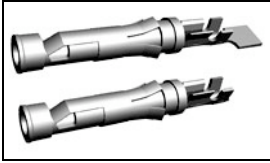
**Have a Question?**  
 Chat with a Product Information Specialist

What can we help you find?

[Products](#) | 
 [Industries](#) | 
 [Resources](#) | 
 [About TE](#) | 
 [My Account](#) | 
 [Innovation](#) | 
 [Support Center](#)

## 66105-4 Product Details

[Share](#) | 
 [Print](#) | 
 [Email](#)



**66105-4**

TE Internal Number: 66105-4

Active

View 3D PDF

### Multimate

Always EU RoHS/ELV Compliant (Statement of Compliance)

#### Product Highlights:

- Contact Type = Socket
- Contact Classification = Signal
- Type III+ Series
- Gold (30) Contact Plating, Mating Area, Material
- Wire Range = 0.20-0.60<sup>2</sup> [24-20] mm [AWG]

[View all Features](#)

### Quick Links

- ▶ [Pricing & Availability](#)
- ▶ [Search for Tooling](#)
- ▶ [Product Feature Selector](#)
- ▶ [Contact Us About This Product](#)

[Add to My Part List](#) | 
 [Request Sample](#) | 
 [Find Similar Products](#) | 
 [Buy Product](#)

| Documentation & Additional Information  |  |
|---|--|
| <p><b>Product Drawings:</b></p> <ul style="list-style-type: none"> <li>• <a href="#">SOCKET ASSEMBLY, LOOSE PIECE, TYPE III+ (PDF, English)</a></li> </ul> <p><b>Catalog Pages/Data Sheets:</b></p> <ul style="list-style-type: none"> <li>• <a href="#">Signal Contacts (PDF, English)</a></li> <li>• <a href="#">M_SERIES_PIN_AND_SOCKET_CONNECTORS (PDF, English)</a></li> <li>• <a href="#">AMP Circular Connectors for Commercial Signal &amp; Powe... (PDF, English)</a></li> </ul> <p><b>Product Specifications:</b></p> <ul style="list-style-type: none"> <li>• <a href="#">AMPOWER Multi-Pin Plus Connector (PDF, English)</a></li> </ul> <p><b>Application Specifications:</b></p> <ul style="list-style-type: none"> <li>• <a href="#">Type III+ (Size 16) Contacts (PDF, English)</a></li> </ul> <p><b>Instruction Sheets:</b></p> <ul style="list-style-type: none"> <li>• <a href="#">Selection of Multimate Pin and Socket Contacts (PDF, English)</a></li> </ul> <p><b>CAD Files:</b> (<a href="#">CAD Format &amp; Compression Information</a>)</p> <ul style="list-style-type: none"> <li>• <a href="#">2D Drawing (DXF, Version AE)</a></li> <li>• <a href="#">3D Model (IGES, Version AE)</a></li> <li>• <a href="#">3D Model (STEP, Version AE)</a></li> </ul> <p style="text-align: right;"><a href="#">List all Documents</a></p> | <p><b>Additional Information:</b></p> <ul style="list-style-type: none"> <li>• <a href="#">Product Line Information</a></li> </ul> <p><b>Related Products:</b></p> <ul style="list-style-type: none"> <li>• <a href="#">Tooling</a></li> </ul> |

| Product Features (Please use the Product Drawing for all design activity)   |   |
|---|---|
| <p><b>Product Type Features:</b></p> <ul style="list-style-type: none"> <li>• Series = Type III+</li> <li>• Insulation Support = Yes</li> <li>• Termination Method to Wire/Cable = Crimp</li> <li>• Wire/Cable Type = Discrete Wire</li> <li>• Grade = Commercial</li> </ul> <p><b>Electrical Characteristics:</b></p> <ul style="list-style-type: none"> <li>• High Current = No</li> </ul> <p><b>Termination Features:</b></p> <ul style="list-style-type: none"> <li>• Termination End Plating = Matte Tin Over Nickel</li> </ul> <p><b>Dimensions:</b></p> <ul style="list-style-type: none"> <li>• Pin Diameter (mm [in]) = 1.57 [0.062]</li> </ul> <p><b>Body Features:</b></p> <ul style="list-style-type: none"> <li>• Wire Range (mm [AWG]) = 0.20-0.60<sup>2</sup> [24-20]</li> <li>• Spring Material = Stainless Steel</li> <li>• Used With = M Series Connectors, CPC Connectors, G Series Connectors</li> </ul> <p><b>Contact Features:</b></p> <ul style="list-style-type: none"> <li>• Contact Type = Socket</li> <li>• Contact Classification = Signal</li> <li>• Contact Plating, Mating Area, Material = Gold (30)</li> </ul> | <p><b>Industry Standards:</b></p> <ul style="list-style-type: none"> <li>• <a href="#">RoHS/ELV Compliance</a> = RoHS compliant, ELV compliant</li> <li>• <a href="#">Lead Free Solder Processes</a> = Not relevant for lead free process</li> <li>• RoHS/ELV Compliance History = Always was RoHS compliant</li> </ul> <p><b>Conditions for Usage:</b></p> <ul style="list-style-type: none"> <li>• <a href="#">Accepts Wire Insulation Diameter, Range (mm [in]) = 1.02 - 2.03 [0.040 - 0.080]</a></li> <li>• <a href="#">Applies To</a> = Wire/Cable</li> <li>• Test Current (A) = 13.0</li> </ul> <p><b>Packaging Features:</b></p> <ul style="list-style-type: none"> <li>• <a href="#">Packaging Method</a> = Loose Piece</li> <li>• Packaging Quantity = 1,000 Box/Carton</li> </ul> <p><b>Other:</b></p> <ul style="list-style-type: none"> <li>• Brand = AMP</li> <li>• Comment = PRO-CRIMPER II # 58495-1 Hand Tool for field repair use only.; Overall insulation crimp diameter, including crimp barrel, must not exceed 3.18 [.125].; Insertion Tool No. 91002-1 (for Insulation Dia. 1.78 [.070] or less), No. 200893-2 (for Insulation Dia. .090 [2.29] max.) Extraction Tool No. 305183.</li> </ul> |

- [Contact Base Material](#) = Brass
- [Contact Size](#) = 16

### Corporate Information

- [About TE](#)
- [Investors](#)
- [News Room](#)
- [Supplier Portal](#)
- [Careers](#)
- [Terms & Conditions](#)
- [Privacy Policy](#)

### Quick Links

- [Distributor Inventory](#)
- [Product Cross Reference](#)
- [Documents & Drawings](#)
- [Product Compliance Support Center](#)
- [Site Map](#)

### Customer Support

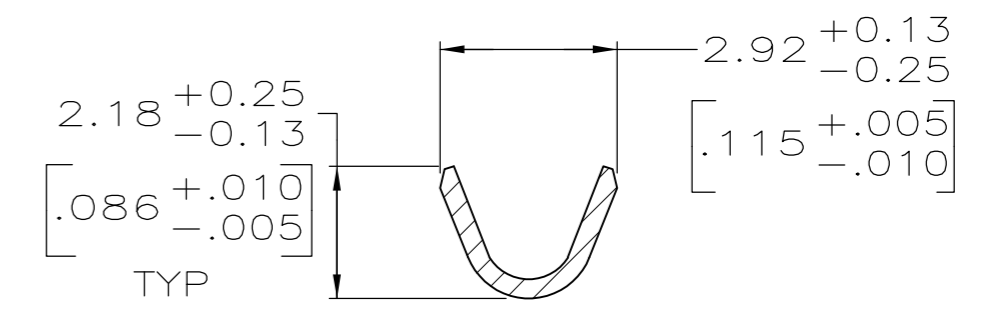
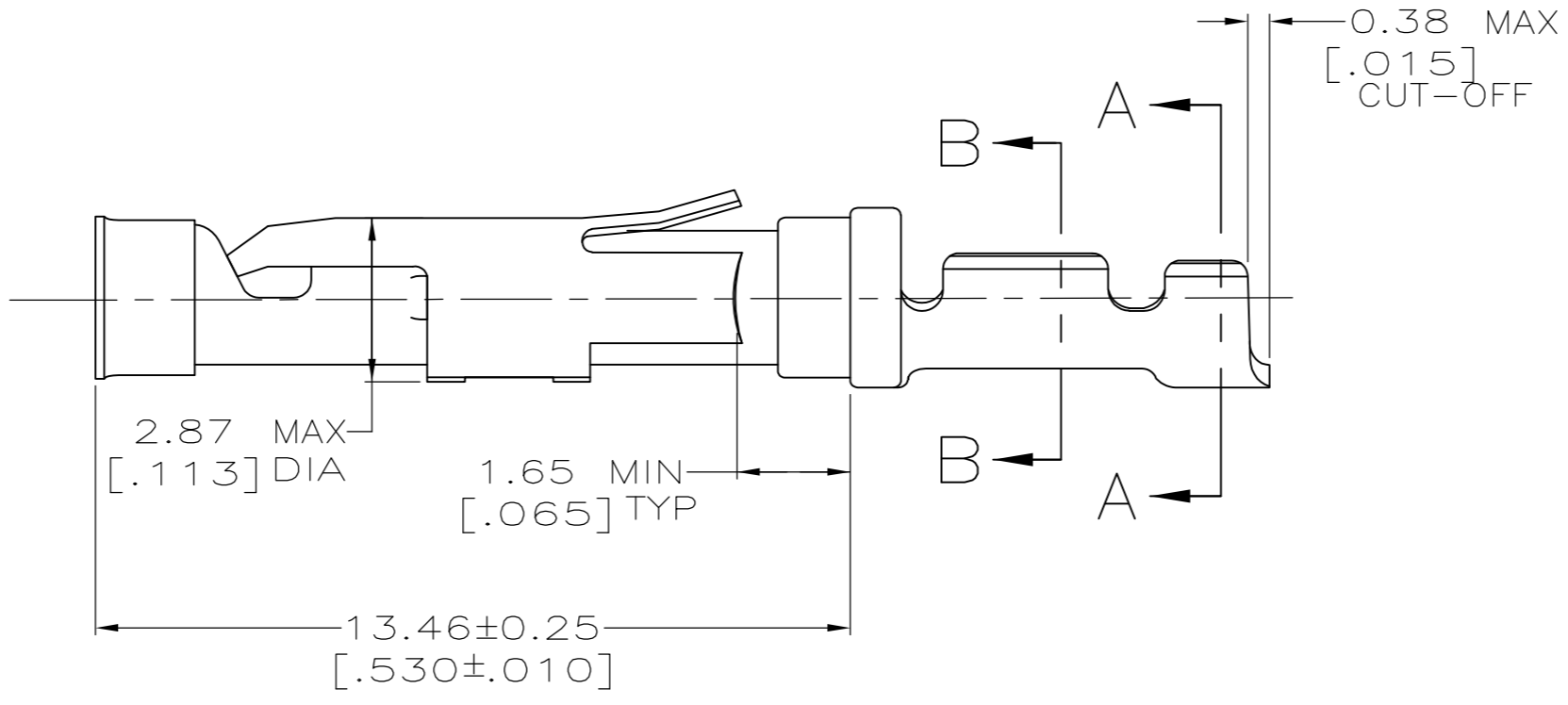
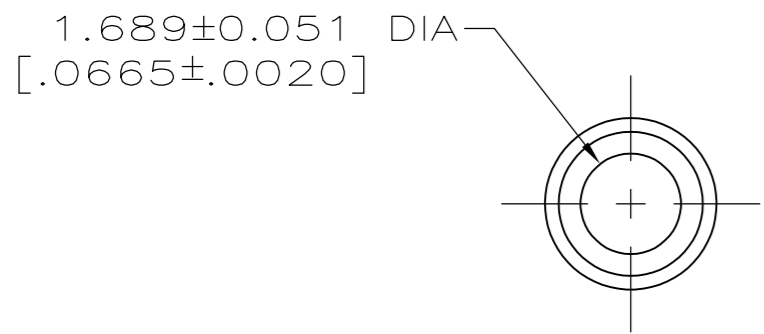
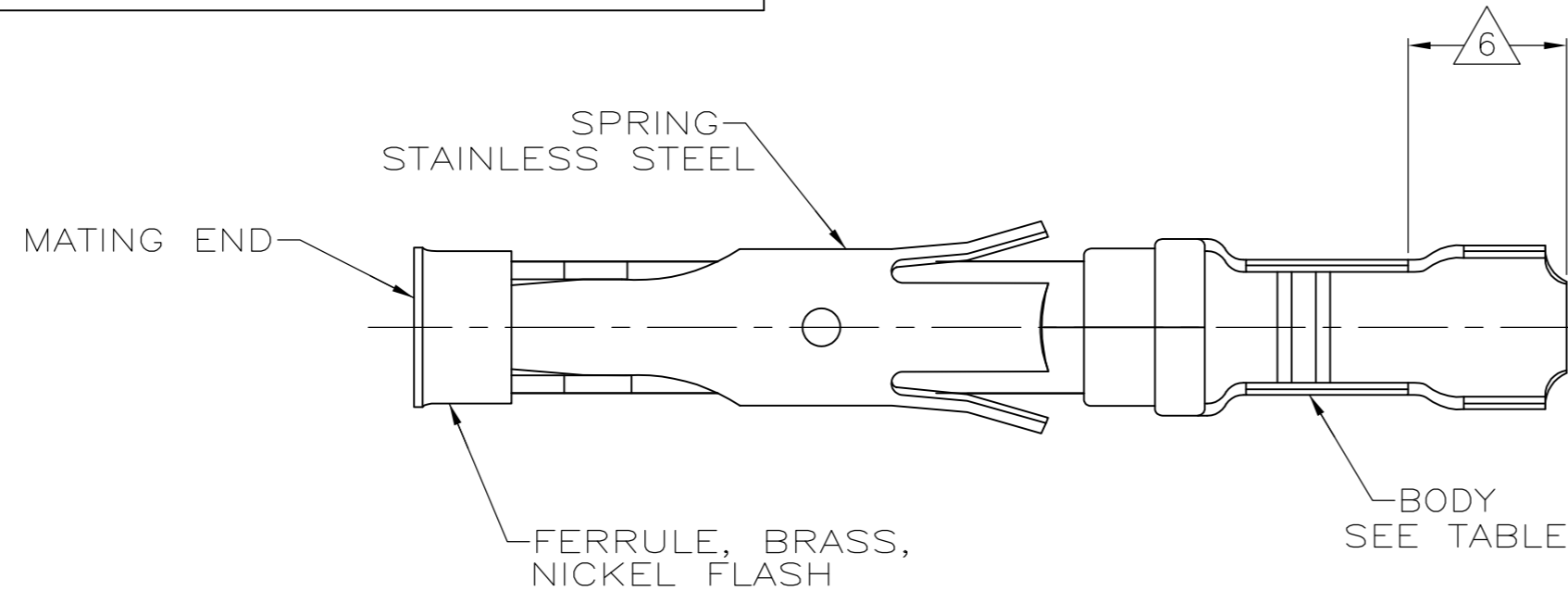
- [Email or Chat With Us](#)
- [Find a Phone Number](#)
- [Knowledge Base](#)
- [Manage Your Account](#)

### Keep Me Informed

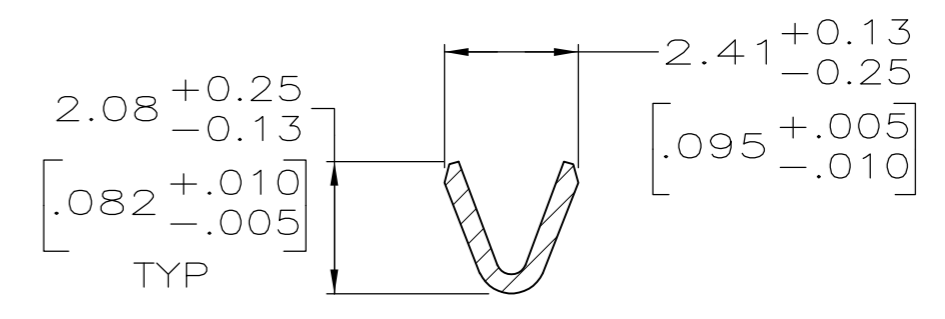


THIS DRAWING IS UNPUBLISHED. RELEASED FOR PUBLICATION  
 © COPYRIGHT - By - ALL RIGHTS RESERVED.

| LOC |     | DIST        |  | REVISIONS                 |         |      |    |
|-----|-----|-------------|--|---------------------------|---------|------|----|
| P   | LTR | DESCRIPTION |  | DATE                      | DWN     | APVD |    |
| FT  | 47  | J           |  | REVISED PER ECO-12-012320 | 04JUL12 | KH   | MZ |



SECTION A-A



SECTION B-B

- 1 0.76µm [.000030] MIN GOLD PER MIL-G-45204 ON MATING END FOR A LENGTH OF 5.08 [.200] MIN WITH 1.27µm [.000050] MIN MATTE TIN PLATE IN WIRE CRIMP AREA, BOTH OVER 0.76µm [.000030] MIN NICKEL PER QQ-N-290.
- 2 1.27µm [.000050] MIN TIN-LEAD PER MIL-T-10727 OVER 0.76µm [.000030] MIN NICKEL PER QQ-N-290.
- 3 0.76µm [.000030] MIN GOLD PER MIL-G-45204 ON MATING END FOR A LENGTH OF 5.08 [.200] MIN WITH A UNIFORM GRADIENT TO 0.25µm [.000010] MIN GOLD PER MIL-G-45204 ON THE REMAINDER OVER 0.76µm [.000030] NICKEL PER QQ-N-290.
- 4 0.38µm [.000015] MIN GOLD PER MIL-G-45204 ON MATING END FOR A LENGTH OF 5.08 [.200] MIN WITH 1.27µm [.000050] MIN MATTE TIN PLATE IN WIRE CRIMP AREA, BOTH OVER 0.76µm [.000030] MIN NICKEL PER QQ-N-290.
- 5 1.27µm [.000050] MIN GOLD PER MIL-G-45204 ON MATING END FOR A LENGTH OF 5.08 [.200] MIN WITH GOLD FLASH ON REMAINDER OVER 1.90µm [.000075] MIN NICKEL PER QQ-N-290.
- 6 GOLD PLATING NOT REQUIRED IN THIS AREA
- 7 WIRE RANGE 24-20 AWG. INSULATION RANGE 1.02[.040]-2.03[.080].
- 8 0.38µm [.000015] MIN GOLD PER MIL-G-45204 ON MATING END FOR A LENGTH OF 5.08 [.200] MIN, 1.27µm [.000050] MIN TIN-LEAD PER MIL-T-10727 FOR A LENGTH OF 5.69 [.224] MIN ON OPPOSITE END, BOTH OVER 1.27µm [.000050] MIN NICKEL PER QQ-N-290 ON ENTIRE CONTACT.
- 9 1.27µm [.000050] MIN TIN PER MIL-T-10727 OVER 0.76µm [.000030] MIN NICKEL PER QQ-N-290.
- 10 OBSOLETE PARTS: OBSOLETE CIS STREAMLINING PER D.RENAUD/D.SINISI

| OB       | PK             | FIN         | MA              | STRIP P/N REF | PART NO   |
|----------|----------------|-------------|-----------------|---------------|-----------|
|          | SMALL PACK     | 9           | BRASS           | 1-66105-9     | 2-66105-0 |
|          | STANDARD       | 9           | BRASS           | 3-66104-0     | 1-66105-9 |
|          | SMALL PACK     | 1           | BRASS           | 66104-4       | 1-66105-8 |
| 10       | SMALL PACK     | 4           | BRASS           | 66104-3       | 1-66105-7 |
|          | SMALL PACK     | 2           | BRASS           | 66104-2       | 1-66105-6 |
|          | SMALL PACK     | 3           | BRASS           | 66104-1       | 1-66105-5 |
| OBSOLETE | STANDARD       | 8           | BRASS           | 2-66104-6     | 1-66105-4 |
| OBSOLETE | STANDARD       | 1           | PHOSPHOR BRONZE | 2-66104-3     | 1-66105-3 |
| OBSOLETE | STANDARD       | 2           | PHOSPHOR BRONZE | 2-66104-2     | 1-66105-2 |
| OBSOLETE | STANDARD       | 5           | BRASS           | 1-66104-6     | 1-66105-0 |
|          | STANDARD       | 1           | BRASS           | 66104-4       | 66105-4   |
|          | STANDARD       | 4           | BRASS           | 66104-3       | 66105-3   |
|          | STANDARD       | 2           | BRASS           | 66104-2       | 66105-2   |
|          | STANDARD       | 3           | BRASS           | 66104-1       | 66105-1   |
|          | PACKAGING TYPE | BODY FINISH | BODY MATERIAL   | STRIP P/N REF | PART NO   |

THIS DRAWING IS A CONTROLLED DOCUMENT.

|                         |  |                          |   |
|-------------------------|--|--------------------------|---|
| DIMENSIONS: mm [INCHES] | TOLERANCES UNLESS OTHERWISE SPECIFIED: | DWN L.SIPE 06/01/92      |   |
|                         | 0 PLC ± -                              | CHK W.LENKER 6-11-92     |   |
|                         | 1 PLC ± -                              | APVD G.STEINHAUER 7-8-92 |   |
|                         | 2 PLC ± 0.13 [.005]                    | NAME                     |   |
| MATERIAL SEE CALLOUTS   | FINISH SEE CALLOUTS                    | WEIGHT -                 | SOCKET ASSEMBLY, LOOSE PIECE, TYPE III+<br>SIZE A2 CAGE CODE 00779 DRAWING NO C-66105 RESTRICTED TO<br>SCALE 8:1 SHEET 1 OF 1 REV J |

CUSTOMER DRAWING