



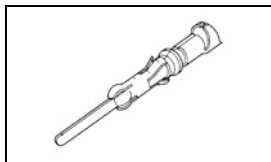
Have a Question?
 Chat with a Product Information Specialist

What can we help you find?

[Products](#) |
 [Industries](#) |
 [Resources](#) |
 [About TE](#) |
 [My Account](#) |
 [Innovation](#) |
 [Support Center](#)

66180-1 Product Details

[Share](#) |
 [Print](#) |
 [Email](#)



66180-1

TE Internal Number: 66180-1

Active

View 3D PDF

Multimate

Always EU RoHS/ELV Compliant (Statement of Compliance)

Product Highlights:

- Contact Type = Pin
- Contact Classification = Signal
- Type III+ Series
- Gold (30) Contact Plating, Mating Area, Material
- Wire Range = 0.80-1.40² [18-16] mm [AWG]

[View all Features](#)

Quick Links

- ▶ [Pricing & Availability](#)
- ▶ [Search for Tooling](#)
- ▶ [Product Feature Selector](#)
- ▶ [Contact Us About This Product](#)

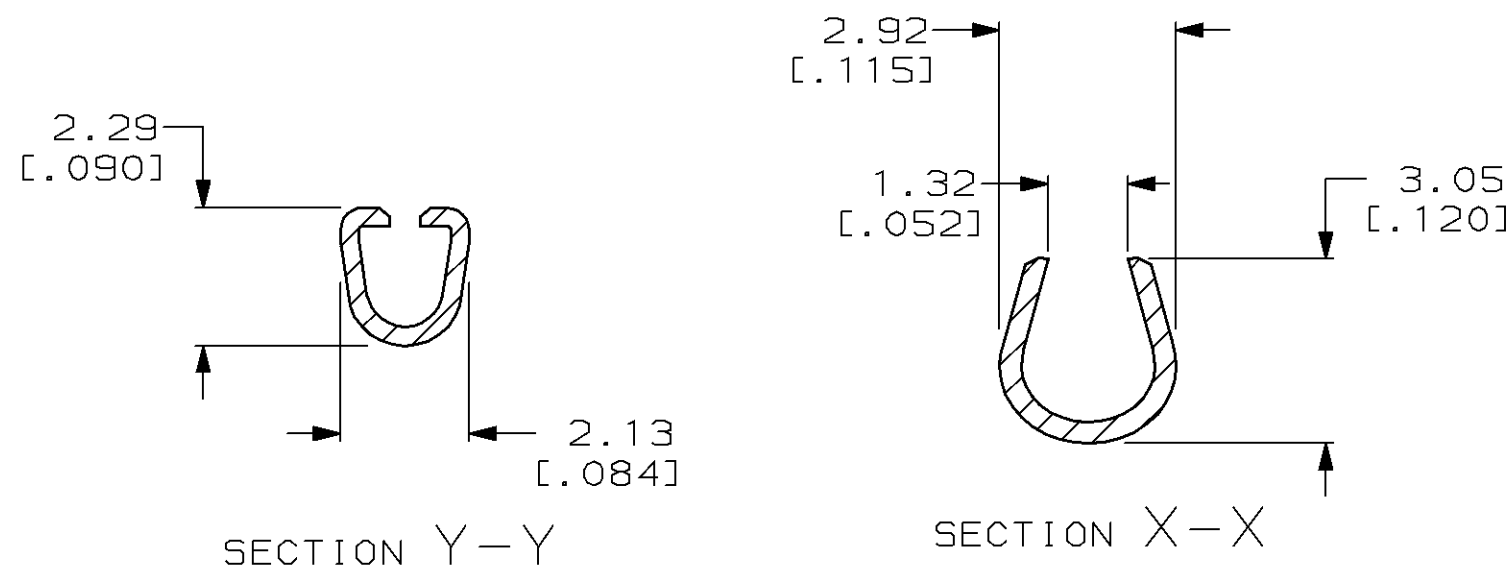
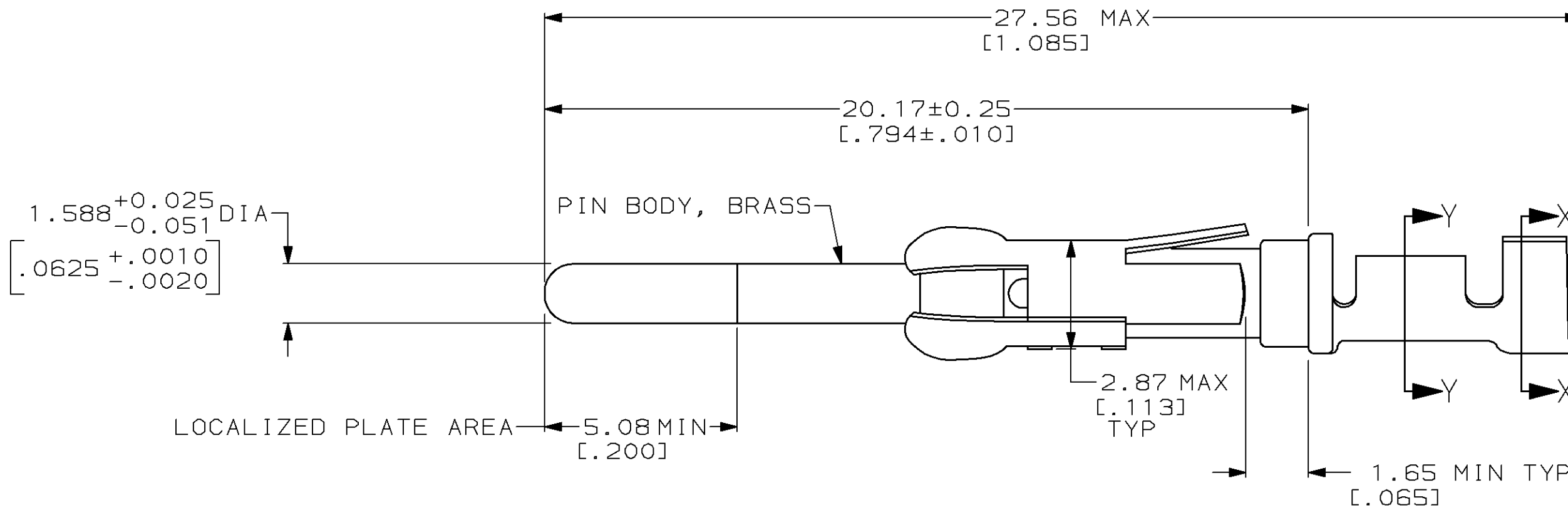
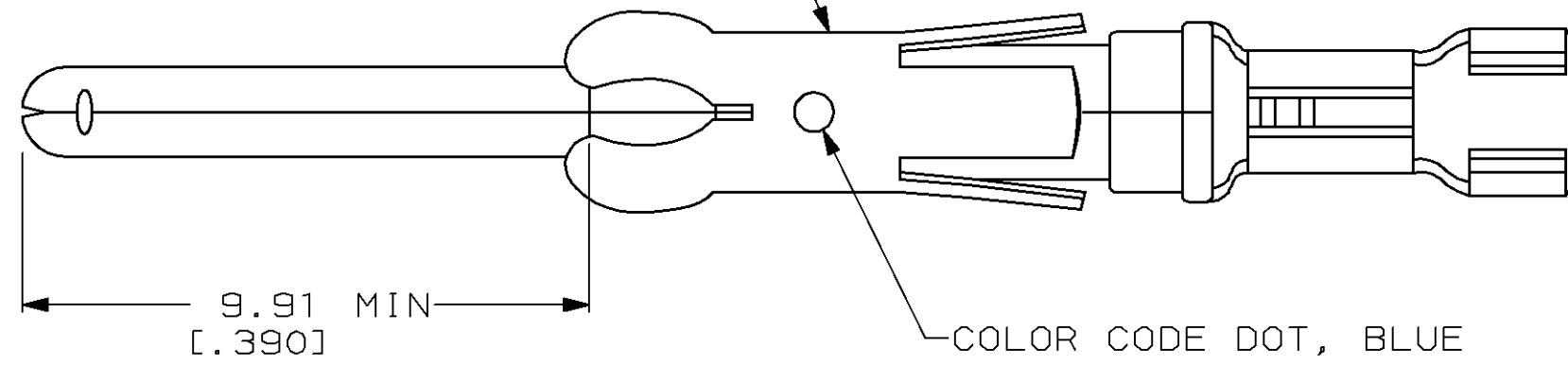
[Add to My Part List](#) |
 [Request Sample](#) |
 [Find Similar Products](#) |
 [Buy Product](#)

Documentation & Additional Information	
<p>Product Drawings:</p> <ul style="list-style-type: none"> • PIN ASSEMBLY, LOOSE PIECE, TYPE III+ (PDF, English) <p>Catalog Pages/Data Sheets:</p> <ul style="list-style-type: none"> • Signal Contacts (PDF, English) • M_SERIES_PIN_AND_SOCKET_CONNECTORS (PDF, English) • AMP Circular Connectors for Commercial Signal & Powe... (PDF, English) <p>Product Specifications:</p> <ul style="list-style-type: none"> • None Available <p>Application Specifications:</p> <ul style="list-style-type: none"> • Type III+ (Size 16) Contacts (PDF, English) <p>Instruction Sheets:</p> <ul style="list-style-type: none"> • None Available <p>CAD Files: (CAD Format & Compression Information)</p> <ul style="list-style-type: none"> • 2D Drawing (DXF, Version L) • 3D Model (IGES, Version L) • 3D Model (STEP, Version L) <p style="text-align: right;">List all Documents</p>	<p>Additional Information:</p> <ul style="list-style-type: none"> • Product Line Information <p>Related Products:</p> <ul style="list-style-type: none"> • Tooling

Product Features (Please use the Product Drawing for all design activity)	
<p>Product Type Features:</p> <ul style="list-style-type: none"> • Series = Type III+ • Insulation Support = Yes • Termination Method to Wire/Cable = Solder • Wire/Cable Type = Discrete Wire • Grade = Commercial <p>Electrical Characteristics:</p> <ul style="list-style-type: none"> • High Current = No <p>Termination Features:</p> <ul style="list-style-type: none"> • Termination End Plating = Gold <p>Dimensions:</p> <ul style="list-style-type: none"> • Pin Diameter (mm [in]) = 1.57 [0.062] <p>Body Features:</p> <ul style="list-style-type: none"> • Wire Range (mm [AWG]) = 0.80-1.40² [18-16] • Spring Material = Stainless Steel • Used With = M Series Connectors, CPC Connectors 	<p>Contact Features:</p> <ul style="list-style-type: none"> • Contact Type = Pin • Contact Classification = Signal • Contact Plating, Mating Area, Material = Gold (30) • Contact Base Material = Copper Alloy • Contact Size = 16 <p>Industry Standards:</p> <ul style="list-style-type: none"> • RoHS/ELV Compliance = RoHS compliant, ELV compliant • Lead Free Solder Processes = Not relevant for lead free process • RoHS/ELV Compliance History = Always was RoHS compliant <p>Conditions for Usage:</p> <ul style="list-style-type: none"> • Applies To = Wire/Cable • Test Current (A) = 13.0 <p>Packaging Features:</p> <ul style="list-style-type: none"> • Packaging Method = Loose Piece <p>Other:</p> <ul style="list-style-type: none"> • Brand = AMP • Comment = These contacts can be used in MultiMate contact positions of all connector housings.

LOC	DIST	P	F	ZONE	LTR	DESCRIPTION	DATE	APPD
FT	47				H	REV & REDRAWN PER ECN BD3865	9-27-90	AB
					J	ADDED -3 PER NPR 4692	04/15/93	GS
					K	REV PER EC 0020-745-94	07/06/94	GS
					L	REV PER EC 0320-133-97	7-23-97	PB

SPRING, STAINLESS STEEL



1. WIRE RANGE 18-16 AWG.

SMALL PACK	66180-3
STANDARD	66180-1
PACKAGING TYPE	PART NO

DO NOT SCALE PRINT. UNLESS SPECIFIED DIMENSIONS IN mm [INCHES] TOLERANCES ON : 2 PLC DEC ±0.13 [.005] 3 PLC DEC ± - ANGLES ± -	DR 9-27-90 H MOLL	AMP Incorporated Harrisburg, PA 17105-3608
	CHK 12-15-90 J. McCLINTON	
MATERIAL SEE CALL OUT	APPD 12-10-90 A. BOULLIANNE	NAME PIN ASSEMBLY, LOOSE PIECE, TYPE III+
	APPD 12-10-90 A. BOULLIANNE	
FINISH PIN BODY: 0.76µm [.000030] MIN GOLD IN LOCALIZE PLATE AREA, 0.25µm [.000010] MIN GOLD ON REMAINDER OVER 1.27µm [.000050] MIN NICKEL	PRODUCT SPEC -	SIZE C 00779
	APPLICATION SPEC -	
WEIGHT -	SCALE 8:1	DRAWING NO 66180
		SHEET 1 OF 1