

Distributed by:

JAMECO[®]
ELECTRONICS

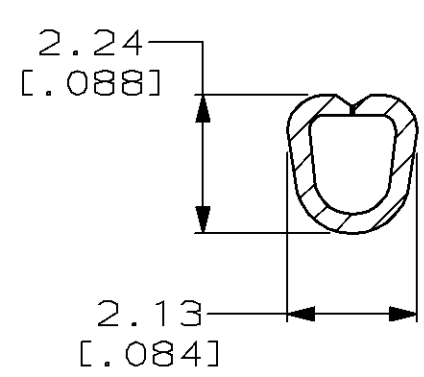
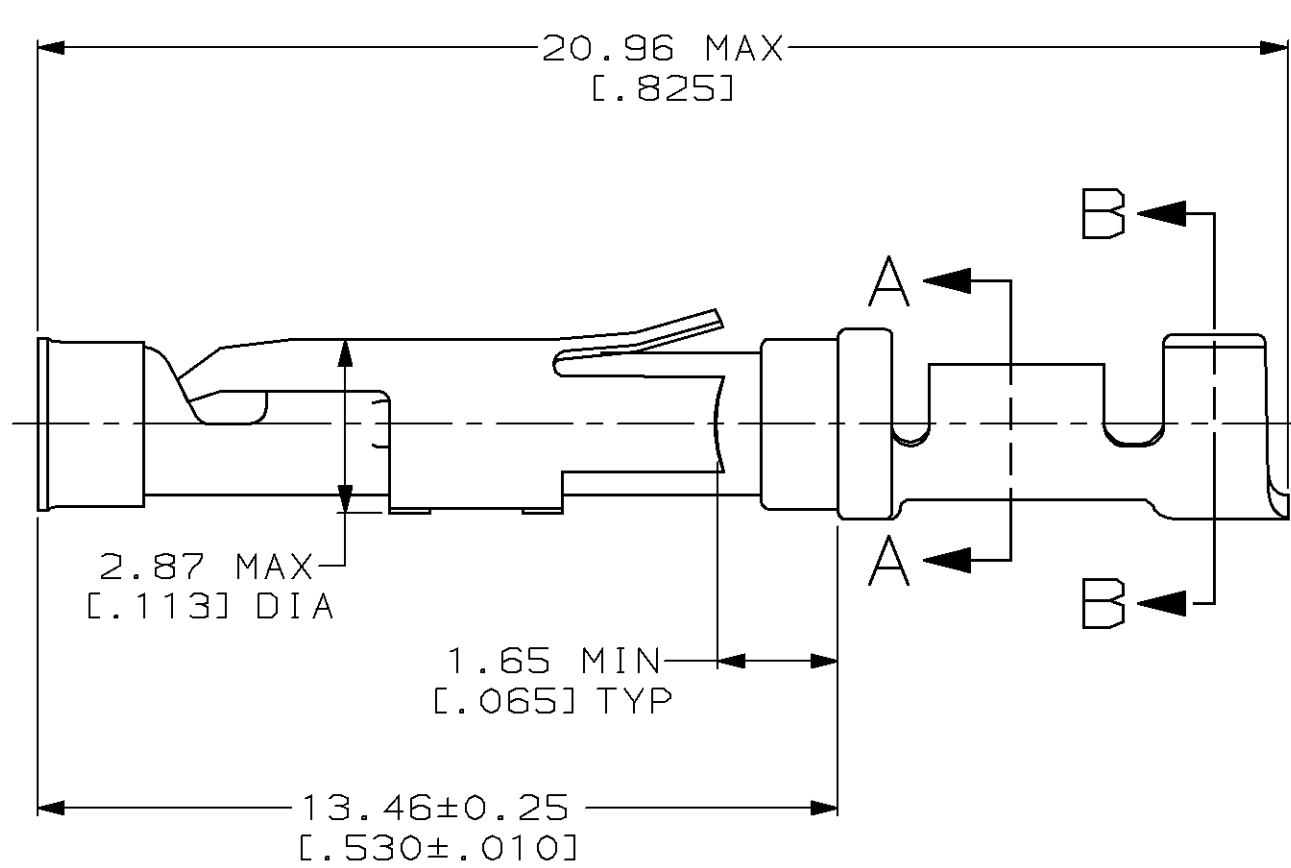
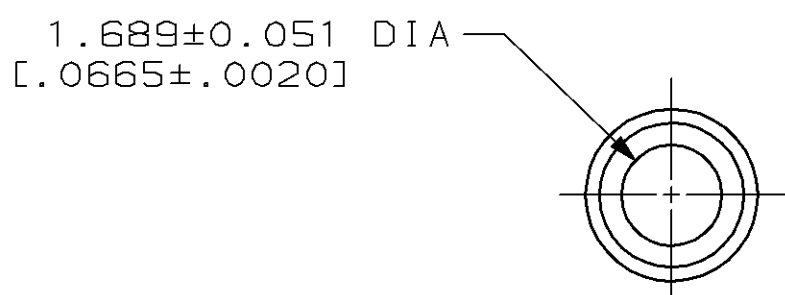
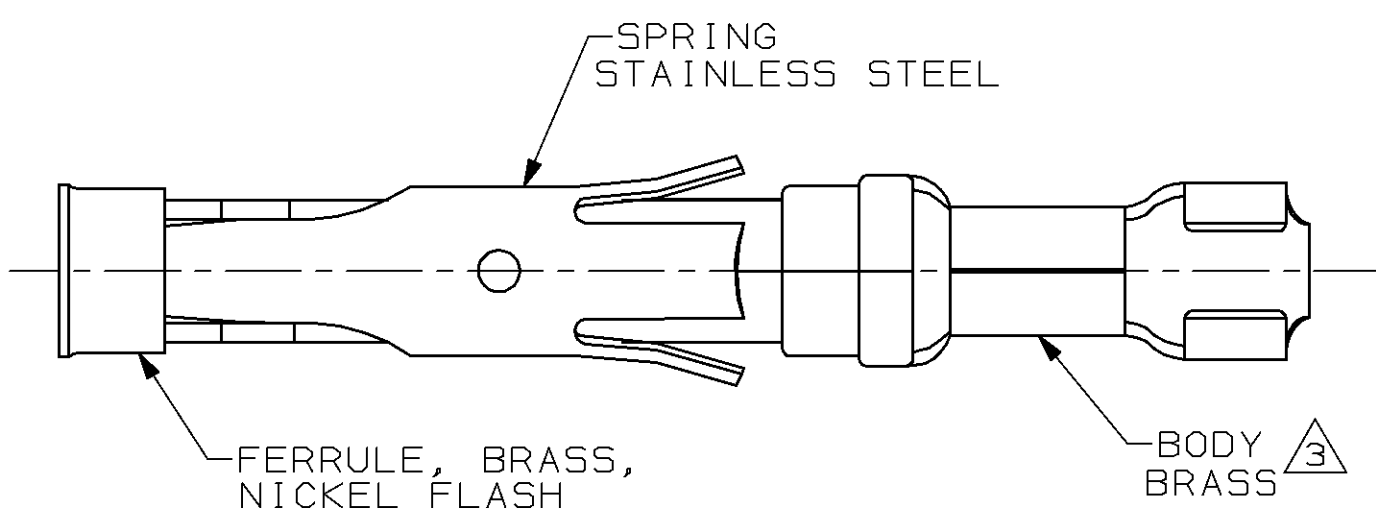
www.Jameco.com ♦ 1-800-831-4242

The content and copyrights of the attached
material are the property of its owner.

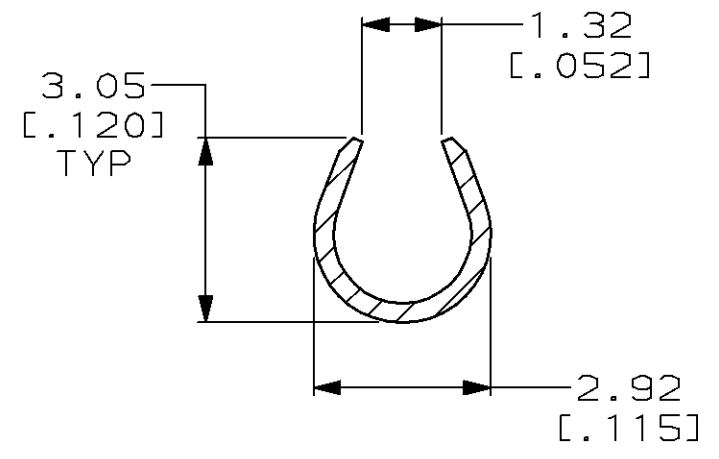
Jameco Part Number 526432

LOC	DIST	P	F	REVISIONS			
				ZONE	LTR	DATE	APPD
FT	47			G	REDRAWN & REV PER ECN BD3869	07/29/91	-
				H	ADDED -3 PER NPR 4692	04/15/93	GS
				J	REV PER EC 0320-137-97	7-29-97	PB

1. WIRE RANGE 18-16 AWG.
2. COLOR CODED BLUE IN SPRING DIMPLE AREA.
3. 0.76µm [.000030] MIN GOLD PER MIL-G-45204 ON MATING END FOR A LENGTH OF 5.08 [.200] MIN WITH A UNIFORM GRADIENT TO 0.25µm [.000010] MIN GOLD PER MIL-G-45204 ON INSULATION SUPPORT BARREL OVER 0.76µm [.000030] MIN NICKEL PER QQ-N-290.



SECTION A-A



SECTION B-B

SMALL PACK	66181-3
STANDARD	66181-1
PACKAGING TYPE	PART NO

DO NOT SCALE PRINT. UNLESS SPECIFIED DIMENSIONS IN mm [INCHES] TOLERANCES ON: 2 PLC DEC ± 0.13 [.005] 3 PLC DEC ± - ANGLES ± -	DR 7-29-91 R.SHIREY	AMP Incorporated Harrisburg, PA 17105-3608
	CHK 9-19-91 R.STONE	
MATERIAL SEE CALLOUTS	APPD 9-20-91 J.WESTMAN	NAME SOCKET ASSEMBLY, LOOSE PIECE, TYPE III+
	APPD 9-23-91 W.PARKER	PRODUCT SPEC -
FINISH SEE CALLOUTS	APPLICATION SPEC -	SIZE C 00779
	WEIGHT -	DRAWING NO 66181
		SCALE 8:1
		SHEET 1 OF 1